

**TECHNICAL SPECIFICATION**

**COLOURS**

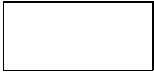
**COUNTER TOP - GLASS**



WHITE, TEMPERED  
GLASS



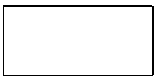
**BODY**



67 WHITE PASTEL



**FRONT - METAL**



M015 WHITE  
SEMI-MATTE



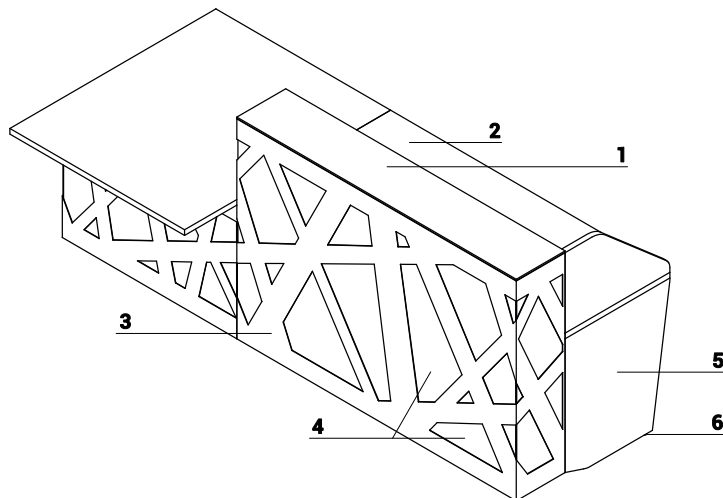
**FRONT - PLEXIGLASS**



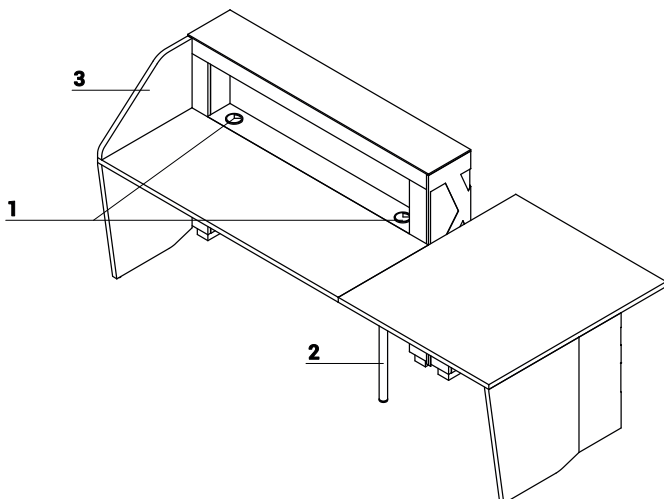
PLEXIGLASS  
WHITE



TECHNICAL SPECIFICATION

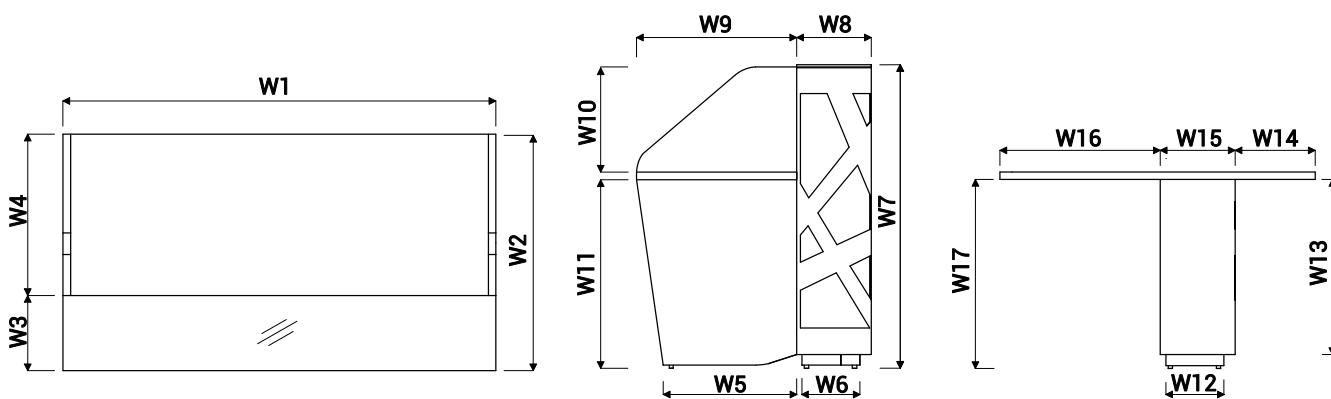


- 1. **Top** - tempered optiwhite glass, 8mm - painted on bottom side
- 2. **Worktop** - MFC 28mm, PVC edge
- 3. **Front** - powder coated steel and plexiglas
- 4. **Light source** - RGBW LED, remote control
- 5. **Low side panel** - MFC 28mm, PVC edge
- 6. **Leveling** - 5mm range



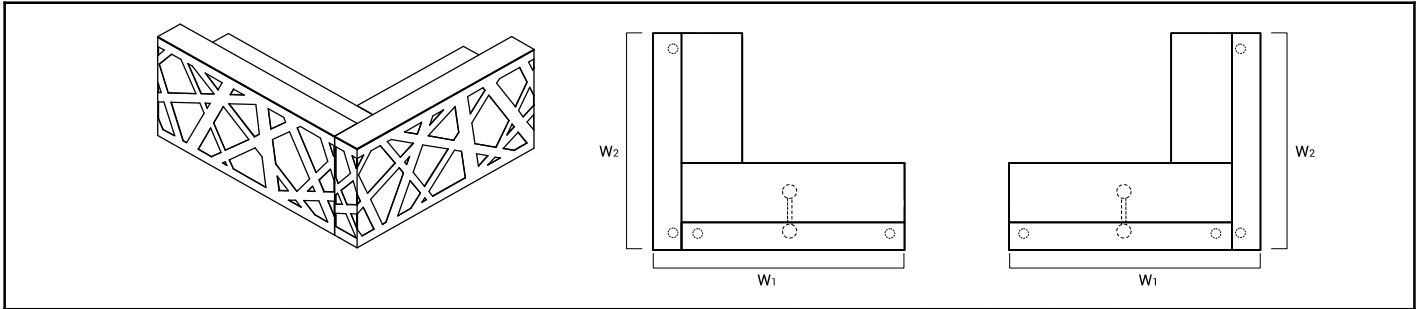
- 1. **Cable grommets** - Ø80mm
- 2. **Supporting leg NE41**- required for connecting the tops
- 3. **Side panel** - MFC 28mm, PVC edge

DIMENSIONS

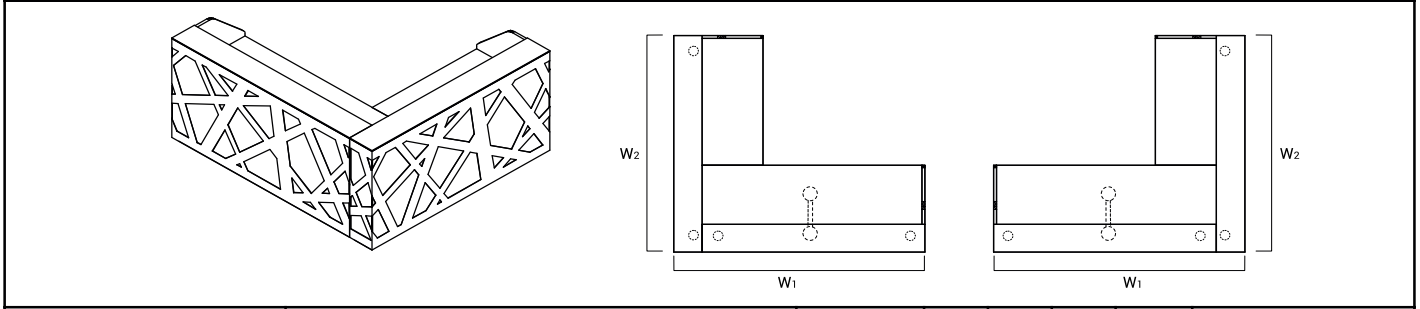


W1 - 1600mm | W2 - 880mm | W3 - 280mm | W4 - 600mm | W5 - 500mm | W6 - 217mm | W7 - 1146mm | W8 - 280mm | W9 - 600mm | W10 - 397mm | W11 - 712mm | W12 - 217mm | W13 - 660mm | W14 - 300mm | W15 - 280mm | W16 - 600mm | W17 - 712mm

RECEPTION DESKS SYSTEMS



INDEX SYMBOL	DIMENSIONS [mm]					PRICE EUR	kg	m3	pcs	COMPONENTS
	W <sub>1</sub>	W <sub>2</sub>	D <sub>1</sub>	D <sub>2</sub>	H					
<b>LZG44</b>	2480	2200	-	-	1146	8 835,-	276.2	3.224	14	LZN51+LZB22+2xLZG22+LZB22M+NL41



INDEX SYMBOL	DIMENSIONS [mm]					PRICE EUR	kg	m3	pcs	COMPONENTS
	W <sub>1</sub>	W <sub>2</sub>	D <sub>1</sub>	D <sub>2</sub>	H					
<b>LZG45</b>	2480	2200	-	-	1146	8 915,-	283.2	3.243	15	LZN51+LZK01+2xLZG22+LZB22+LZB22M+NL41



INDEX SYMBOL	DIMENSIONS [mm]					PRICE EUR	kg	m3	pcs	COMPONENTS
	W <sub>1</sub>	W <sub>2</sub>	D <sub>1</sub>	D <sub>2</sub>	H					
<b>LZG34</b>	1600	880	-	-	1146	3 575,-	126.9	1.245	7	LZN51+LZK01+LZG16+LZB16
<b>LZG46</b>	2200	880	-	-	1146	4 545,-	156.9	1.690	8	LZN51+LZK01+LZG22+LZB22

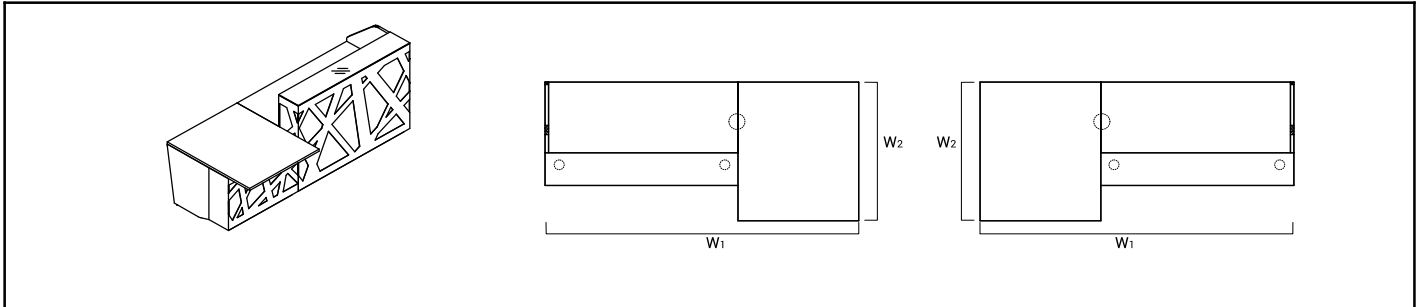
DESCRIPTION

- NET WEIGHT

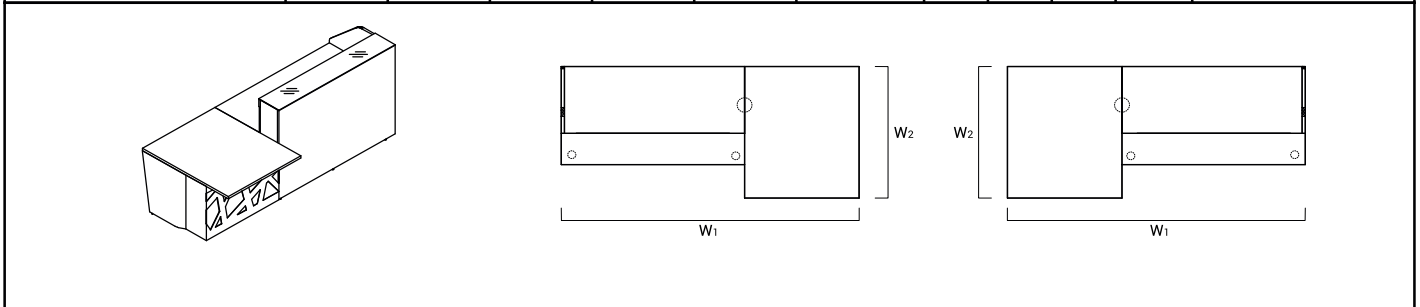
VOLUME

NUMBER OF PACKAGES

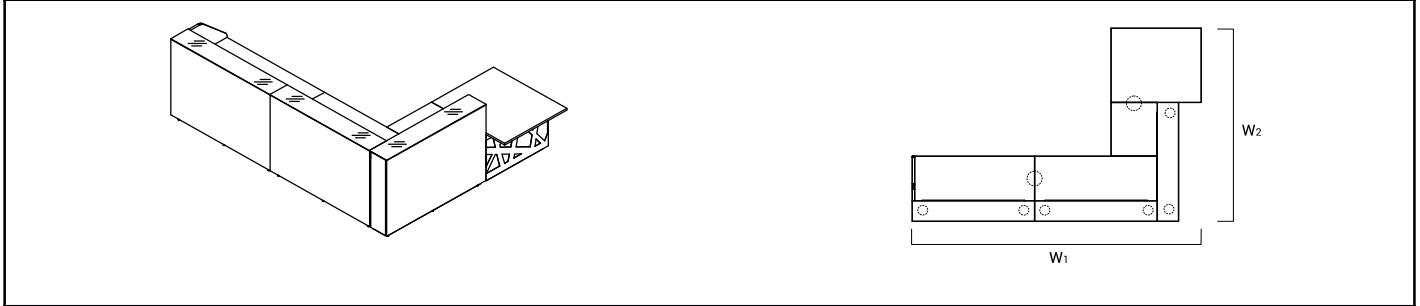
RECEPTION DESKS SYSTEMS



INDEX SYMBOL	DIMENSIONS [mm]					PRICE EUR				COMPONENTS
	W <sub>1</sub>	W <sub>2</sub>	D <sub>1</sub>	D <sub>2</sub>	H		kg	m <sup>3</sup>	pcs	
<b>LZG50</b>	2600	1180	-	-	1146	5 685,-	208.4	1.798	11	LZN51+LZG10+LZG16+LZB16 +LZK01+NE41L
<b>LZG51</b>	3200	1180	-	-	1146	6 660,-	238.4	2.242	12	LZN51+LZG10+LZG22+LZB22 +LZK01+NE41L



INDEX SYMBOL	DIMENSIONS [mm]					PRICE EUR				COMPONENTS
	W <sub>1</sub>	W <sub>2</sub>	D <sub>1</sub>	D <sub>2</sub>	H		kg	m <sup>3</sup>	pcs	
<b>LZG56</b>	2600	1180	-	-	1146	3 330,-	210.4	1.798	11	LZG10+LZG16M+LZB16+LZN51 +LZK01+NE41L



INDEX SYMBOL	DIMENSIONS [mm]					PRICE EUR				COMPONENTS
	W <sub>1</sub>	W <sub>2</sub>	D <sub>1</sub>	D <sub>2</sub>	H		kg	m <sup>3</sup>	pcs	
<b>LZG57</b>	3200	2880	-	-	1146	5 430,-	419.2	4.153	23	LZN51+LZG10+LZB16M+2xLZB16 +3xLZG16M+LZK01+2xNE41L

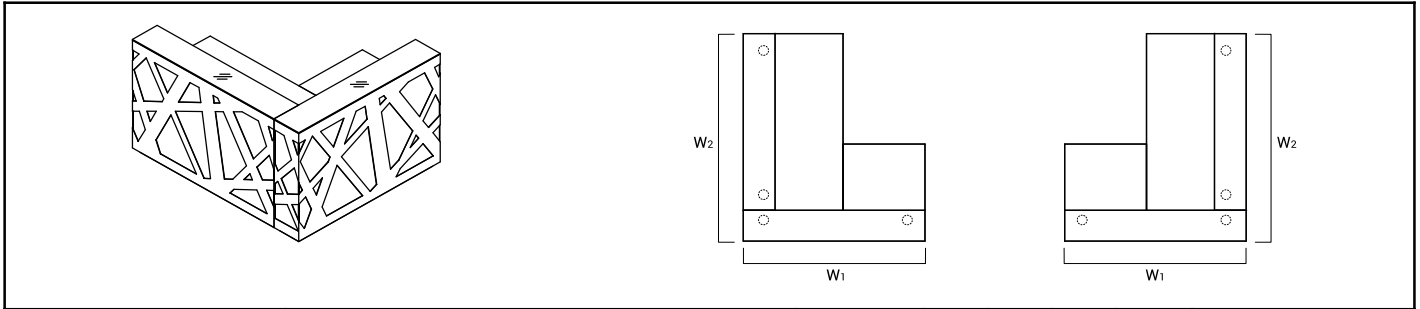
DESCRIPTION

- NET WEIGHT

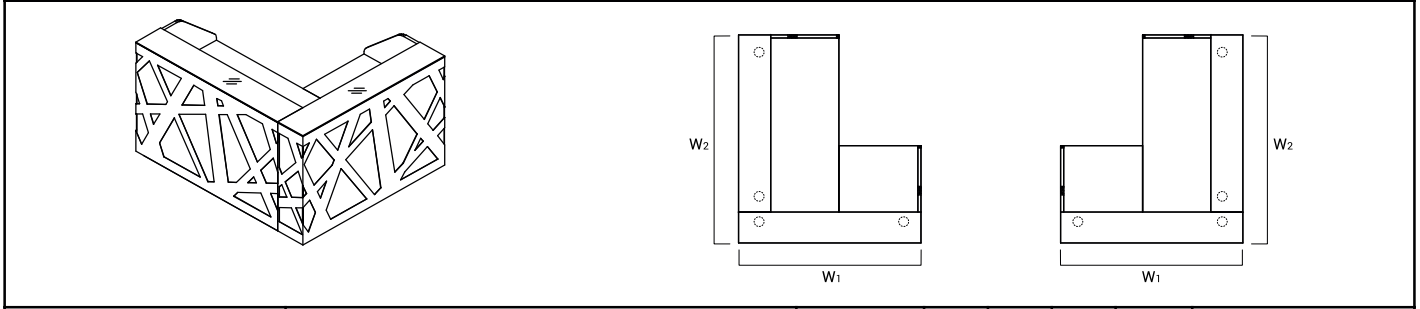
VOLUME

NUMBER OF PACKAGES

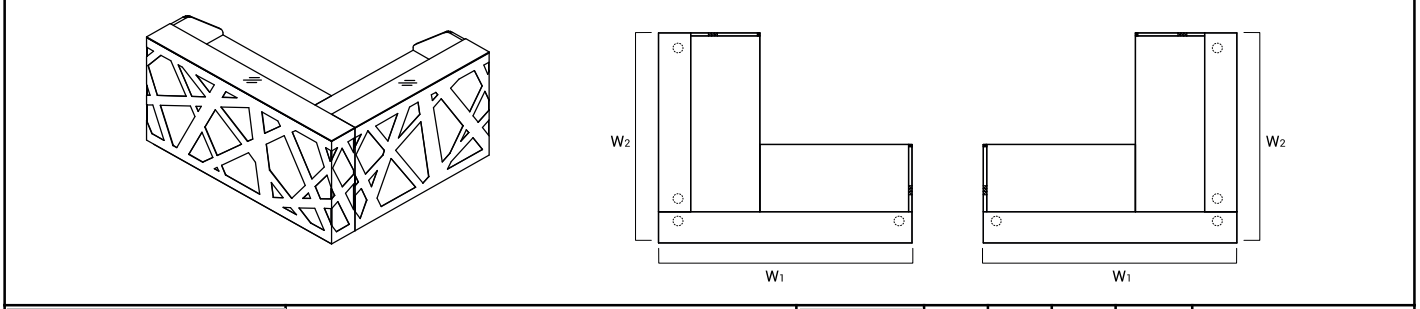
RECEPTION DESKS SYSTEMS



INDEX SYMBOL	DIMENSIONS [mm]					PRICE EUR	kg	m3	pcs	COMPONENTS
	W <sub>1</sub>	W <sub>2</sub>	D <sub>1</sub>	D <sub>2</sub>	H					
<b>LZG32</b>	1600	1880	-	-	1146	6 860,-	217.5	2.386	12	LZB16M+2xLZG16+LZB16+LZN51



INDEX SYMBOL	DIMENSIONS [mm]					PRICE EUR	kg	m3	pcs	COMPONENTS
	W <sub>1</sub>	W <sub>2</sub>	D <sub>1</sub>	D <sub>2</sub>	H					
<b>LZG35</b>	1600	1880	-	-	1146	6 935,-	224.5	2.405	13	LZB16M+2xLZG16+LZB16+LZN51+LZK01



INDEX SYMBOL	DIMENSIONS [mm]					PRICE EUR	kg	m3	pcs	COMPONENTS
	W <sub>1</sub>	W <sub>2</sub>	D <sub>1</sub>	D <sub>2</sub>	H					
<b>LZG36</b>	2200	1880	-	-	1146	7 910,-	252.5	2.799	13	LZN51+LZK01+LZB22+LZG22+LZB16M+LZG16

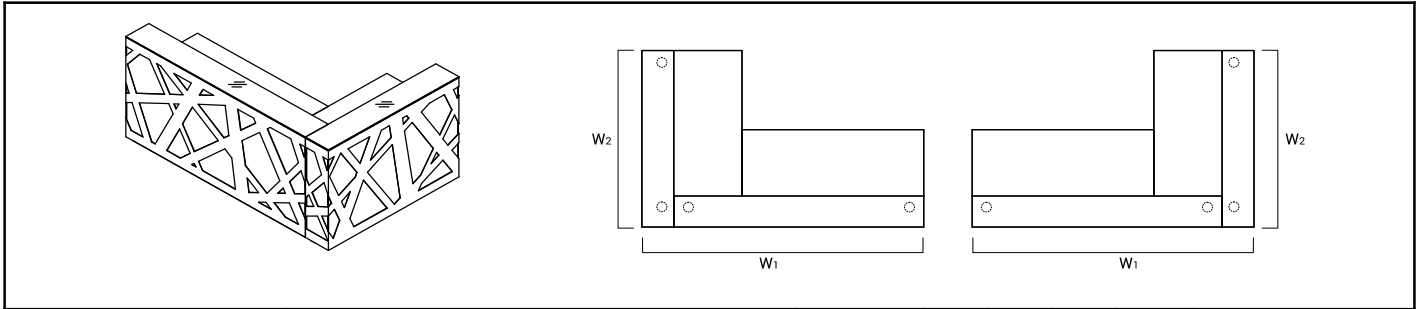
DESCRIPTION

- NET WEIGHT

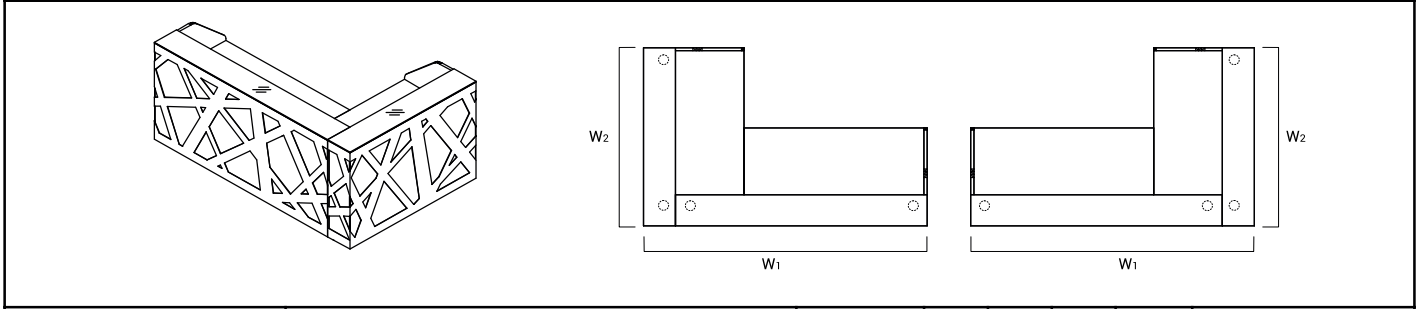
VOLUME

NUMBER OF PACKAGES

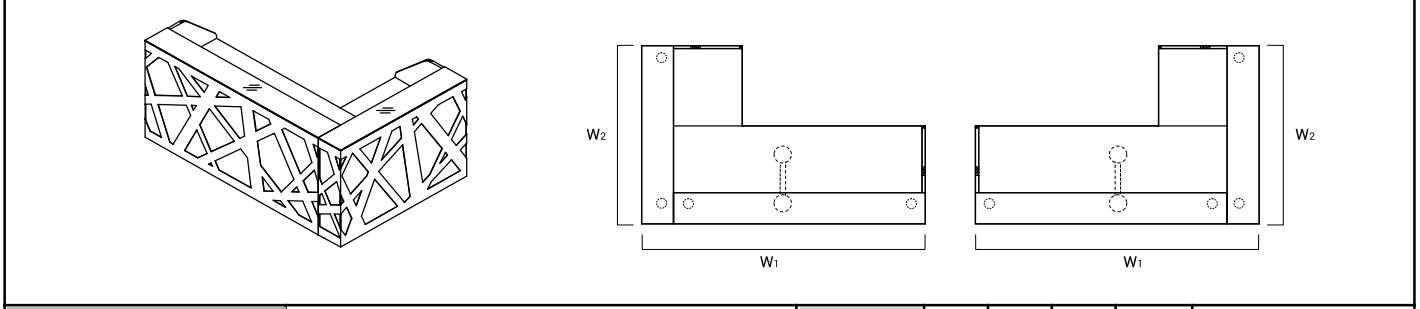
RECEPTION DESKS SYSTEMS



INDEX SYMBOL	DIMENSIONS [mm]					PRICE EUR					COMPONENTS
	W <sub>1</sub>	W <sub>2</sub>	D <sub>1</sub>	D <sub>2</sub>	H						
LZG38	2480	1600	-	-	1146	7 835,-	245.5	2.779	12		LZN51+LZB16+LZG22+LZB22M +LZG16



INDEX SYMBOL	DIMENSIONS [mm]					PRICE EUR					COMPONENTS
	W <sub>1</sub>	W <sub>2</sub>	D <sub>1</sub>	D <sub>2</sub>	H						
LZG40	2480	1600	-	-	1146	7 910,-	252.5	2.799	13		LZN51+LZK01+LZB16+LZG22 +LZB22M+LZG16



INDEX SYMBOL	DIMENSIONS [mm]					PRICE EUR					COMPONENTS
	W <sub>1</sub>	W <sub>2</sub>	D <sub>1</sub>	D <sub>2</sub>	H						
LZG42	2480	1600	-	-	1146	7 940,-	252.4	2.849	11		LZN51+LZK01+LZB22+LZG22 +LZB16M+LZG16+NL41

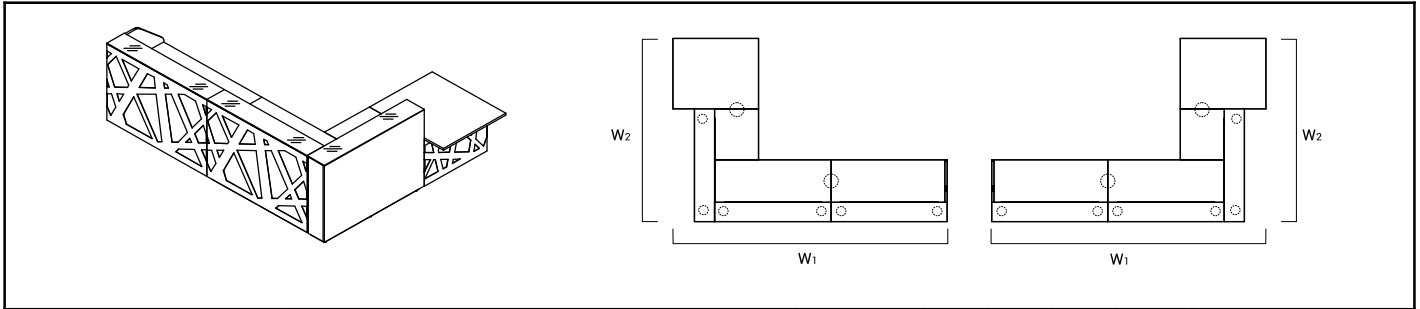
DESCRIPTION

- NET WEIGHT

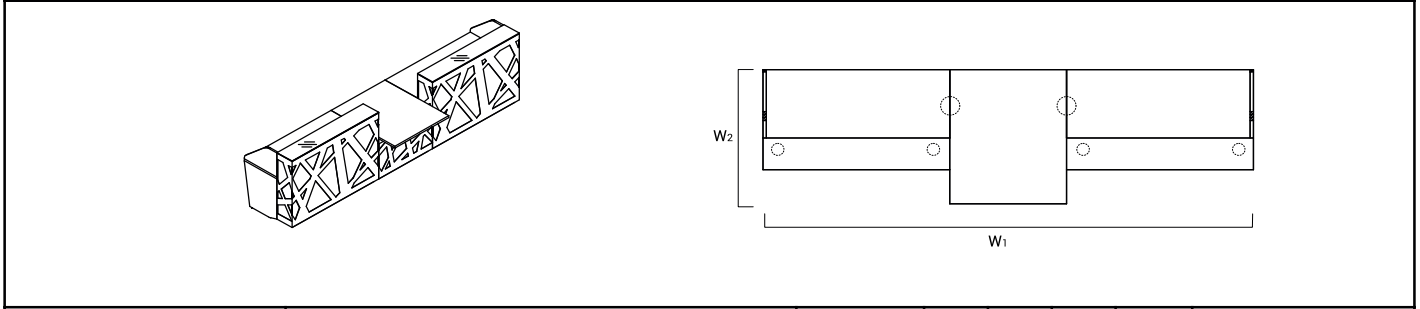
VOLUME

NUMBER OF PACKAGES

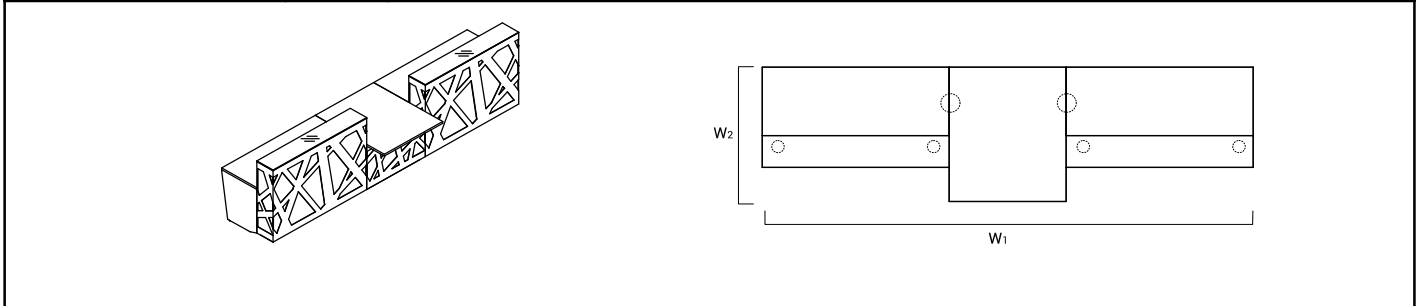
RECEPTION DESKS SYSTEMS



INDEX SYMBOL	DIMENSIONS [mm]					PRICE EUR	kg	m3	pcs	COMPONENTS
	W <sub>1</sub>	W <sub>2</sub>	D <sub>1</sub>	D <sub>2</sub>	H					
LZG58	3808	2880	-	-	1146	10 135,-	415.2	4.153	23	LZN51+LZK01+2xLZB16+2xLZG16 +LZG16M+LZB16M+LZG10N +2xNE41L



INDEX SYMBOL	DIMENSIONS [mm]					PRICE EUR	kg	m3	pcs	COMPONENTS
	W <sub>1</sub>	W <sub>2</sub>	D <sub>1</sub>	D <sub>2</sub>	H					
LZG52	4200	1180	-	-	1146	9 125,-	314.8	2.991	17	LZN51+LZK01+LZB16+LZG16 +LZG10+LZG16+LZB16+2xNE41L
LZG53	4800	1180	-	-	1146	10 100,-	344.8	3.435	18	LZN51+LZK01+LZB16+LZG16 +LZG10+LZG22+LZB22+2xNE41L
LZG54	5400	1180	-	-	1146	11 075,-	374.8	3.880	19	LZN51+LZK01+LZB22+LZG22 +LZG10+LZG22+LZB22+2xNE41L



INDEX SYMBOL	DIMENSIONS [mm]					PRICE EUR	kg	m3	pcs	COMPONENTS
	W <sub>1</sub>	W <sub>2</sub>	D <sub>1</sub>	D <sub>2</sub>	H					
LZG55	4200	1180	-	-	1146	9 050,-	307.8	2.971	16	LZN51+LZB16+2xLZG16+LZG10 +LZB16+2xNE41L

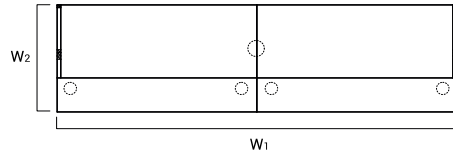
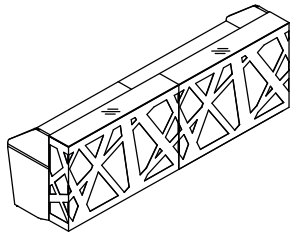
DESCRIPTION

- NET WEIGHT

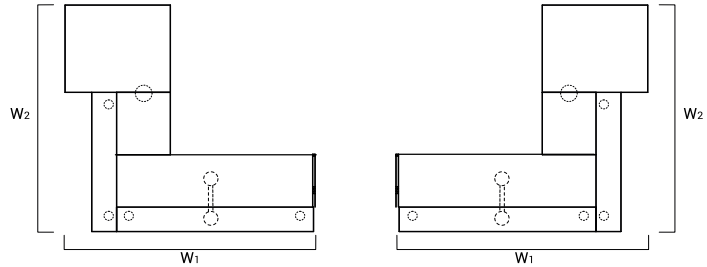
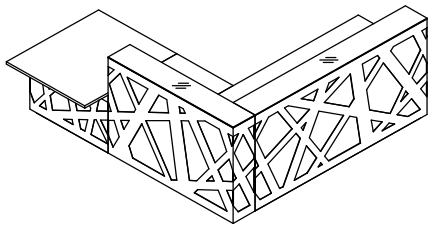
VOLUME

NUMBER OF PACKAGES

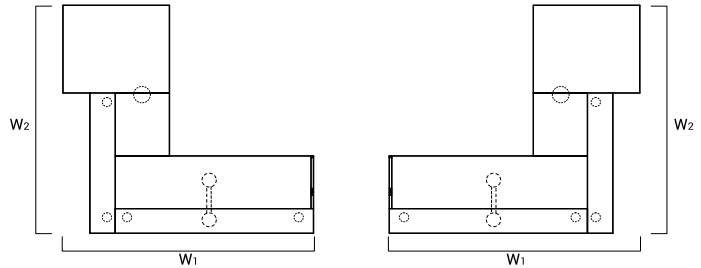
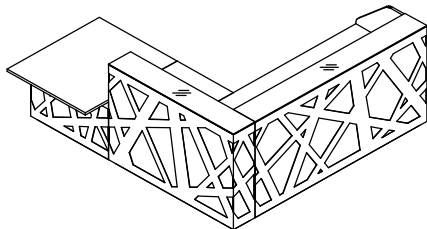
RECEPTION DESKS SYSTEMS



INDEX SYMBOL	DIMENSIONS [mm]					PRICE EUR	kg	m3	pcs	COMPONENTS
	W <sub>1</sub>	W <sub>2</sub>	D <sub>1</sub>	D <sub>2</sub>	H					
LZG60	3200	880	-	-	1146	7 015,-	233.3	2.438	13	LZN51+LZK01+LZB16+LZG16 +LZB16+LZG16+NE41L
LZG61	3800	880	-	-	1146	7 990,-	263.3	2.882	14	LZN51+LZK01+LZB16+LZG16 +LZB22+LZG22+NE41L
LZG62	4400	880	-	-	1146	8 960,-	293.3	3.327	15	LZN51+LZK01+LZB22+LZG22 +LZB22+LZG22+NE41L



INDEX SYMBOL	DIMENSIONS [mm]					PRICE EUR	kg	m3	pcs	COMPONENTS
	W <sub>1</sub>	W <sub>2</sub>	D <sub>1</sub>	D <sub>2</sub>	H					
LZG64	2600	2780	-	-	1146	9 975,-	328.3	3.383	16	LZN51+LZB22+LZG22+LZG16 +LZB16M+LZG10+NL41+NE41L



INDEX SYMBOL	DIMENSIONS [mm]					PRICE EUR	kg	m3	pcs	COMPONENTS
	W <sub>1</sub>	W <sub>2</sub>	D <sub>1</sub>	D <sub>2</sub>	H					
LZG63	2600	2780	-	-	1146	10 055,-	335.3	3.402	17	LZN51+LZK01+LZB22+LZG22 +LZG16+LZB16M+LZG10+NL41 +NE41L

DESCRIPTION

- NET WEIGHT

VOLUME

NUMBER OF PACKAGES



PRODUCT ILLUSTRATION	DIMENSIONS [mm]			INDEX SYMBOL	PRICE EUR					COMMENTS
	WIDTH	DEPTH	HEIGHT			kg	m3	pcs		

**COMPOSITION ELEMENTS**




	1600	280	1146	<b>LZG16M</b>	965,-	88.5	1.143	2		
	1600	280	1146	<b>LZG16</b>	3 315,-	86.5	1.143	2		
	2200	280	1146	<b>LZG22</b>	4 260,-	107.5	1.523	2		
	1000	1180	740	<b>LZG10</b>	2 080,-	80.0	0.551	3		
	720	600	28	<b>LZB16M</b>	47,-	10.4	0.017	3		
	1320	600	28	<b>LZB22M</b>	77,-	18.1	0.031	4		
	1600	600	28	<b>LZB16</b>	95,-	18.4	0.049	3		
	2200	600	28	<b>LZB22</b>	125,-	25.4	0.050	3		use of support leg NL41 in the middle of worktop advisable!
	600	28	397	<b>LZK01</b>	77,-	7.0	0.020	1		Two side panels in the packet
	600	28	712	<b>LZN51</b>	90,-	15.0	0.035	1		Two side panels in the packet
	40	40	712	<b>NE41L</b>	31,-	1.5	0.002	1		round profile leg

DESCRIPTION

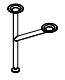
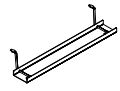
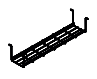
- NET WEIGHT

VOLUME


NUMBER OF PACKAGES

PRODUCT ILLUSTRATION	DIMENSIONS [mm]			INDEX SYMBOL	PRICE EUR					COMMENTS
	WIDTH	DEPTH	HEIGHT			kg	m3	pcs		


**COMPOSITION ELEMENTS**

	585	142	712	<b>NL41</b>	35,-	2.0	0.063	1		round profile leg
	460	89	120	<b>E64L</b>	35,-	0.5	0.001	1		horizontal cable tray M009 - aluminum semi - matte
	580	162	123	<b>S69L</b>	26,-	1.0	0.015	1		09 - aluminum

DESCRIPTION

 - NET WEIGHT

 VOLUME

 NUMBER OF PACKAGES