

QUADRA



QD P690



QD PO690



QD P1650



QD PO1650



QD T690B



QD C



QD PP



Type of fabric	<i>bond, keimo, sawana</i>	<i>charles, charles SD*, fighter, pastel, roccia, sawana pik, valencia</i>	<i>blazer, crisp, fame, silvertex, synergy, synergy SD*, entrusted fabrics</i>	<i>remix 2, remix 2 SD*, leather, client's own leather</i>	Studio Design
	1	2	3	4	5
QD P690	251	275	312	394	438
QD PO690	333	360	396	538	597
QD P1650	349	390	451	601	668
QD PO1650	506	560	670	907	1 008
QD C	393	428	501	690	767
QD CE - L/R	393	428	501	690	767
QD T690B (Melamine table top)	289	320	368	481	535
QD T690G (toughened glass, sandblasted)	483	515	565	667	741
QD PP (cushion) 350mm x 350mm	37	44	54	85	94

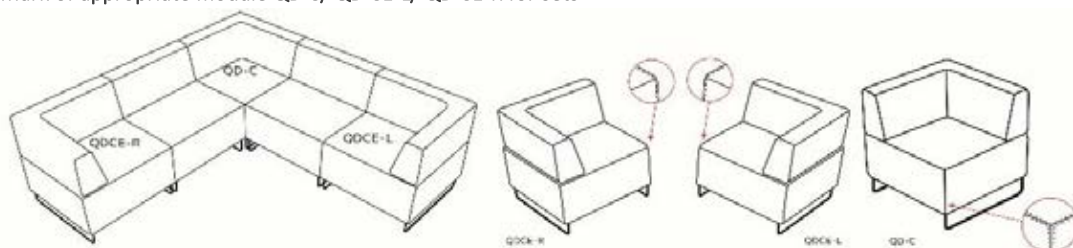
* Information on the possible use of fabrics from the Studio Design offer - table page 9

Base	CODE		EUR
Powder painted (coloring according to Bejot's pattern book)		●	
Chromed		○	+42

Slides			
Glides for ceramic floors, concrete and carpets	PK	●	
Felt glides for wooden floors and floor panels	PF	○	+7

Additional equipment			
The seat connector to connect two seats (set)	L-PQ	○	+23
U-type independent connector for connecting 2 seats or 2 seats with walls (set)	L-U	○	+32
Mediaport (white-W or black-B): 1 voltage socket 230V (type E-Poland/ France or type F-Germany, or type G-Great Britain) + 2 x USB chargers	[type]2VCC	○	+251
Mediaport(white-W or black-B): 2 voltage sockets 230V (type E-Poland/ France or type F-Germany, or type G-Great Britain)	[type]2VV	○	+140

Mark of appropriate module QD C/ QD CE-L/ QD CE-R for sets



Delivered low sets are partly disassembled. The delivery of the fully assembled low set is additionally charged.

Recommended retail prices in EUR exclusive of VAT

● STANDARD ○ OPTION

QUADRA new



QD P45

QD PO45 OUT



QD PO45 IN



QD P1

QD P1B



Type of fabric	<i>bond, keimo, sawana</i>	<i>charles, charles SD*, fighter, pastel, roccia, sawana pik, valencia</i>	<i>blazer, crisp, fame, silvertex, synergy, synergy SD*, entrusted fabrics</i>	<i>remix 2, remix 2 SD*, leather, client's own leather</i>	Studio Design
	1	2	3	4	5
QD P45 <small>(element connecting the set at an angle of 45 °)</small>	234	250	274	358	397
QD PO45 OUT <small>(element connecting the set at an angle of 135 °)</small>	325	344	371	473	525
QD PO45 IN <small>(element connecting the set at an angle of 45 °)</small>	325	344	371	473	525
QD P1	134	162	203	314	349
QD P1B <small>(Melamine table top)</small>	156	183	224	330	367

Corner elements (QD P45, QD PO45IN / OUT) do not available solo - they can only be used to connect two Quadra sofas.

Armrests (QD P1 / QD P1B) are not available solo - they can be used as armrests for a Quadra chair or sofa, for connecting 2 sofas into a set, or as finishing elements for a set.

Example use of the connector QD PO45 IN:



QUADRA walls



QD PO1650 + QD SC1650 + 2x QD SC490



Type of fabric	<i>bond, sawana</i>	<i>fighter, pastel, roccia</i>	<i>blazer, crisp, fame, synergy</i>	<i>remix 2</i>	<i>Studio Design</i>
	1	2	3	4	5
QD SC490 490mm x 1230mm	180	196	220	307	341
QD SC690 690mm x 1230mm	210	233	266	384	426
QD SC1650 1650mm x 1230mm	336	391	468	733	815
QD SC2150 2150mm x 1230mm	452	522	621	959	1 066
QD SC2340 2340mm x 1230mm	463	548	669	1 074	1 194
QD SC3030 3030mm x 1230mm	546	648	791	1 272	1 414

* Information on the possible use of fabrics from the Studio Design offer - table page 9

Additional equipment			
Angled wall connector 90° (1 piece)	L-QS1	o	+8
Straight wall connector 180° (1 piece)	L-QS2	o	+8
Reinforcement panel (placed under the upholstery) allowing to mount the bracket to a 32-inch TV set for QDSC2150	TV	o	+50

Table for QDSC2150 wall QD TB3



Type of top/ dimensions	<i>Melamine</i> <i>(the thickness of the table top 18 mm)</i>
QD TB3 (table top:1550 x 750 mm, h: 750 mm)	269

Base	CODE		EUR
Powder painted (coloring according to Bejot's pattern book)		●	
Chrome (leg)		o	+16

Example use of the QD TB3 table



Examples of connecting the QUADRA system of sofas and panel

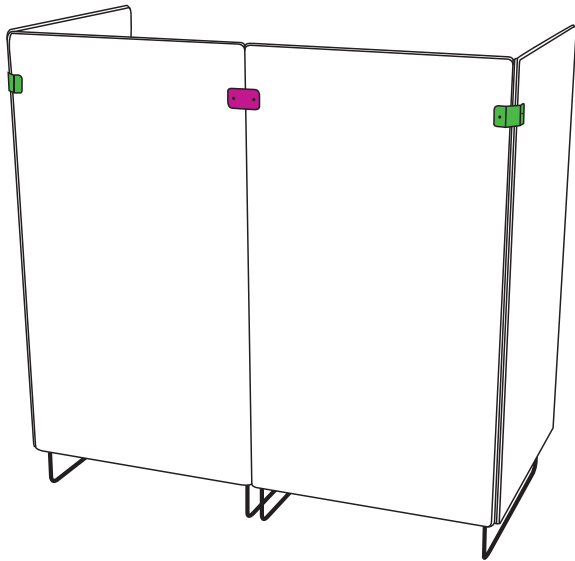


L-QS1

L-QS2

L-PQ

L-U



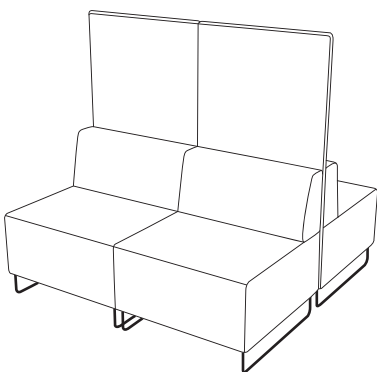
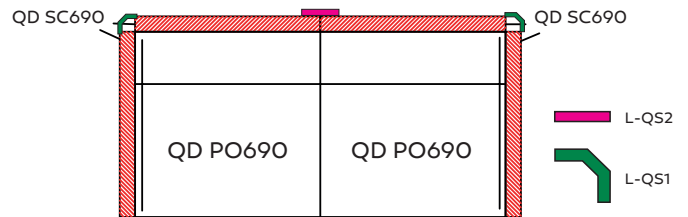
- 2x QD PO690
- 4x QD SC690
- 2x L-QS1
- 1x L-QS2



L-QS1



L-QS2



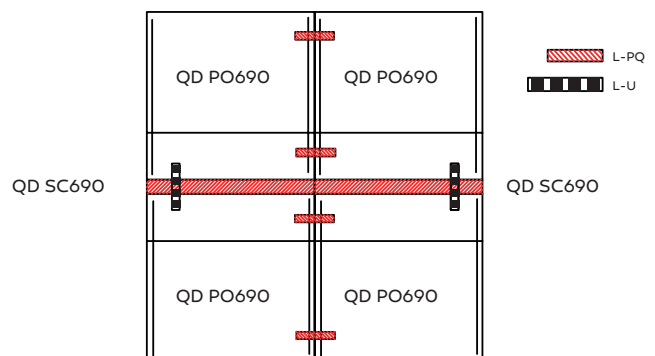
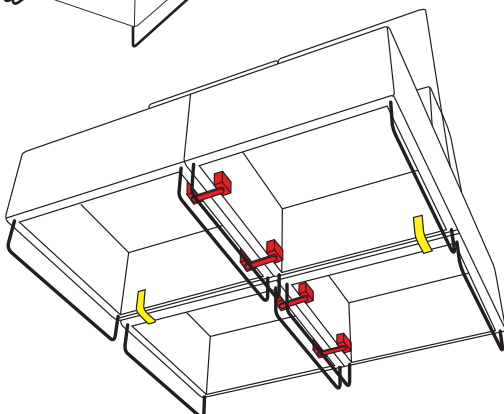
- 4x QD PO690
- 2x QD SC690
- 2x L-U
- 4x L-PQ

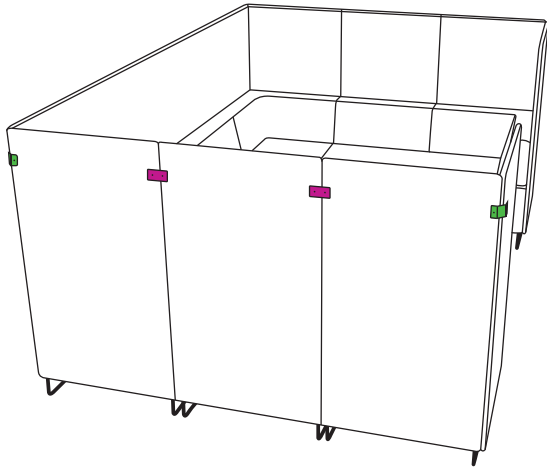


L-PQ



L-U





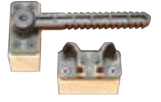
- 1x QDCE-R
- 1x QDCE-L
- 2x QD PO690
- 1x QD PO1650
- 8x QD SC690
- 1x QD SC 3030
- 1x QD T690
- 12x L-PQ
- 4x L-QS1
- 2x L-QS2



L-QS1



L-QS2

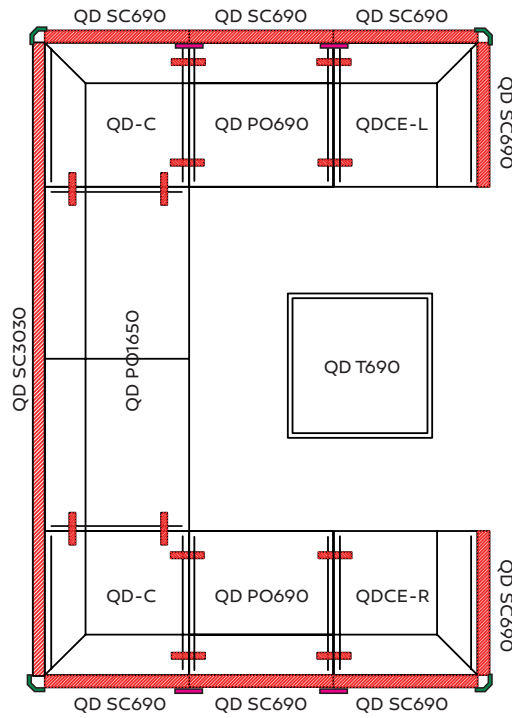
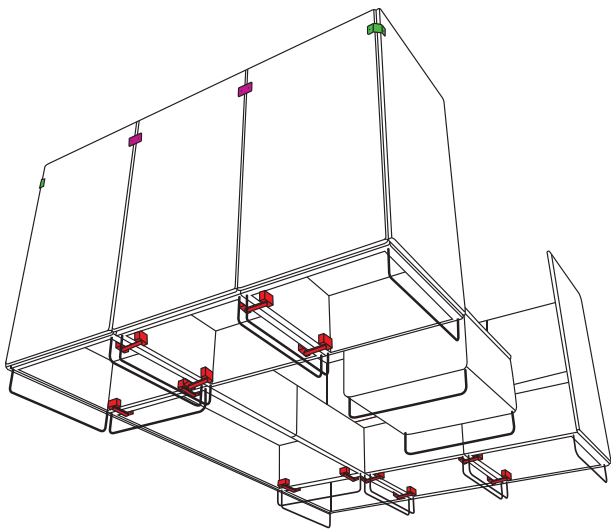


L-PQ

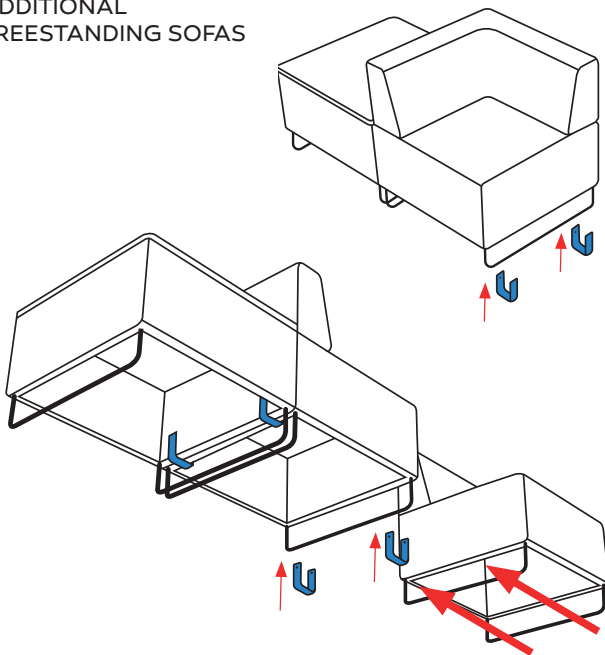
L-PQ

L-QS2

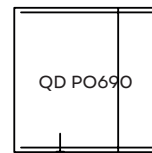
L-QS1



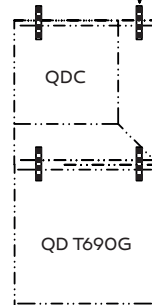
ADDITIONAL
FREESTANDING SOFAS



- 1x QD PO690
- 1x QDC
- 1x QD T690
- 4x L-U



L-U



L-U