

# 5<sup>TH</sup> ELEMENT

Design  
STUDIO SI

Engineering  
C.S.R. LAS MOBILI

- > Executive
- > Desking-Bench
- > System
- > Elementi comuni/shared elements
- > Team & Meeting tables

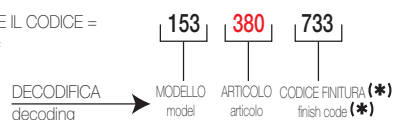


Certif. n°07-08/2019

## IMPORTANTE / it's very important

SULL'ORDINE INDICARE SEMPRE IL CODICE COMPLETO A 9 CIFRE  
always indicate on the order the complete 9-digit code

ESEMPIO: PER ORDINARE 1 PIANO **ART.380** ROVERE INDICARE IL CODICE =  
example: to order 1 DESKTOP **ART.380** OAK indicate the code =



In vigore dal:  
Valid from:  
01/07/2018

Valido fino a nuova emissione  
Valid until new emission

**CERTIFICAZIONI DISPONIBILI / available certifications**
**MATERIALI E FINITURE / materials and finishes**

	NORMA DI RIFERIMENTO standard norms	DESCRIZIONE NORMA	norm descriptions
	Conformità DM 03/09/2001	Reazione al fuoco. Dichiarazione di conformità al DM 26/06/1984 modificato da DM 03/09/2001.	Reaction to fire. Declaration of conformity to the MD 26/06/1984 modified by MD 03/09/2001.
	UNI EN 12720:1997	Resistenza ai liquidi freddi.	Cold liquids resistance.
	UNI EN 12722:1997	Resistenza al calore secco.	Dry heat resistance.
	UNI EN 13722:2004	Riflessione speculare della superficie	Measurement of specular gloss of the surface.
	UNI EN ISO 12460 - 3:2015	Rilascio di formaldeide. Gas analisi, prova singola.	Formaldehyde release.
	UNI 10460:1995	Determinazione della resistenza dei bordi all'acqua.	Water resistance of the edges.
	UNI 8941-2:1987	Colorimetria. Determinazione strumentale del colore.	Colourimetry. Test for the determination of the colour.
	UNI 9115:1987	Comportamento delle superfici all'usura per abrasione. Abrasione Taber.	Taber abrasion. Test for abrasion resistance of the surfaces.
	UNI 9242:1987 + UNI 9242:1987/A1/98	Determinazione della resistenza dei bordi al calore.	Determination of heat resistance of the edges.
	UNI 9300:1988 + FA 276:1989	Determinazione della tendenza della superficie a ritenere lo sporco.	Test for surfaces tendency to retain dirt.
	UNI EN 15187:2007	Valutazione degli effetti dell'esposizione alla luce.	Evaluation of the effects of the exposure to the light.
	UNI 9428:1989	Prove sulle finiture delle superfici. Determinazione della resistenza alla graffiatura.	Test for scratch resistance of the surfaces.
	UNI 9429:1989	Determinazione della resistenza delle superfici agli sbalzi di temperatura.	Test for thermal endurance of the surfaces.
	UNI EN 12721:2009	Valutazione della resistenza delle superfici al calore umido.	Test for the determination of damp heat resistance.
ELEMENTI METALLICI / metallic elements	ASTM D 3363:2005	Prova di durezza molla e/o matita.	Hardness test to pencil.
	EN ISO 1520:1995	Imbutitura statica.	Static drawing test.
	UNI 8901:1986	Resistenza all'urto.	Impact resistance.
	UNI 9115:1987	Comportamento delle superfici all'usura per abrasione. Abrasione Taber.	Taber abrasion. Test for abrasion resistance of the surfaces.
	UNI 9427:1989	Determinazione della resistenza delle superfici alla luce.	Test for light resistance of the surfaces.
	UNI 9428:1989	Prove sulle finiture delle superfici. Determinazione della resistenza alla graffiatura.	Test for scratch resistance of the surfaces.
	UNI 9429:1989	Determinazione della resistenza delle superfici agli sbalzi di temperatura.	Test for thermal endurance.
	UNI EN ISO 2409:1996	Adesione mediante quadrettatura.	Adhesion with checkering.
	UNI EN ISO 2808:2007	Pitture e vernici. Determinazione dello spessore del film.	Paints and varnishes. Determination of the film thickness.
	UNI EN ISO 9227:2006	Prove in nebbia salina.	Test for salt fog resistance.
<b>SCRIVANIE, WORKSTATION E TAVOLI / desks, workstation and tables</b>			
	NORMA DI RIFERIMENTO standard norms	DESCRIZIONE NORMA	norm descriptions
	Conformità D.LGS. 09/04/2008 nr.81	Dichiarazione di Conformità al D.LGS. 09/04/2008 nr.81 (ex 626).	Declaration of conformity to the italian rule D.LGS. 09/04/2008 nr.81 (ex 626).
	UNI 8594:2004	Prova di flessione dei piani.	Test for flexural strength of the tops.
	UNI 9086:1987	Prova di urto contro le gambe o i fianchi di sostegno.	Impact test against the legs or the support side panels.
	UNI EN 527-1	Dimensioni.	Dimensions.
	UNI EN 527-2:2003 Par. 3	Par. 3 Requisiti meccanici di sicurezza. Requisiti generali di progettazione.	Par. 3 Safety mechanics requirements. General requirements of the engineering
	UNI EN 527-3:2003 Par. 5.1	Par. 5.1 Stabilità.	Par. 5.1 Stability.
	UNI EN 527-3:2003 Par. 5.2	Par. 5.2 Resistenza sotto una forza verticale.	Par. 5.2 Resistance to vertical force.
	UNI EN 527-3:2003 Par. 5.3	Par. 5.3 Resistenza sotto una forza orizzontale.	Par. 5.3 Resistance to horizontal force.
	UNI EN 527-3:2003 Par. 5.4	Par. 5.4 Fatica sotto una forza orizzontale.	Par. 5.4 Endurance limit to horizontal force.
	UNI EN 527-3:2003 Par. 5.5	Par. 5.5 Fatica sotto una forza verticale.	Par. 5.5 Endurance limit to vertical force.
	UNI EN 527-3:2003 Par. 5.6	Par. 5.6 Prova di caduta.	Par. 5.6 Drop test.

ULTIMA REVISIONE: GENNAIO 2020  
latest revision: JANUARY 2020

Per eventuali aggiornamenti più recenti  
le **CERTIFICAZIONI** e i **LISTINI** sono disponibili su Internet:  
For latest updatings  
the **CERTIFICATIONS** and **PRICE LIST** are available on Internet:

- 1-  [www.las.it](http://www.las.it)
- 2- AREA RISERVATA RIVENDITORE  
Dealer's private area
- 3- SCARICA DOCUMENTI IN FORMATO .PDF  
Downloads .PDF files



## Executive

## Desking-Bench

<b>CARTELLA COLORI</b> .....	<b>6</b>
<i>colours samples card</i>	
<b>ABBINAMENTI COLORI</b> .....	<b>9</b>
<i>matching colours</i>	
<b>SCRIVANIE DIREZIONALI (PIANI SP. 18mm) e SCHIENE</b> .....	<b>12</b>
<i>executive desks (tops thick. 18mm) and modesty panels</i>	
<b>SCRIVANIE DIREZIONALI (PIANI IN VETRO FLOAT SP. MM 10 RETROLACCATO)</b> .....	<b>14</b>
<i>executive desks (square edged rear-lacquered float glazed tops thick. 10mm)</i>	
<b>ALLUNGHI (PIANI IN VETRO FLOAT SP. MM 10 RETROLACCATO)</b> .....	<b>15</b>
<i>extensions (square edged rear-lacquered float glazed tops thick. 10mm)</i>	
<b>SCHIENE PER SCRIVANIE DIREZIONALI CON PIANO IN VETRO</b> .....	<b>16</b>
<i>modesty panels for executive desks with glazed top</i>	
<b>SCRIVANIE SINGOLE CON GAMBE METALLICHE A PONTE (PIANI SP. 18mm)</b> .....	<b>23</b>
<i>single desks with bridge metal legs (tops thick. 18mm)</i>	
<b>SCRIVANIE IN LINEA PROF.80 CON GAMBE A PONTE (PIANI SP. 18mm)</b> .....	<b>24</b>
<i>linear desks depth 80 cms with bridge legs (tops thick. 18mm)</i>	
<b>BENCH PROF.125,2 (PIANI SP. 18mm)</b> .....	<b>25</b>
<i>bench depth 125,2 cms (tops thick. 18mm)</i>	
<b>BENCH PROF.165,2 (PIANI SP. 18mm)</b> .....	<b>25</b>
<i>bench depth 165,2 cms (tops thick. 18mm)</i>	
<b>BENCH PROF.125,2 CON PIANI SCORREVOLI (PIANI SP. 18mm)</b> .....	<b>26</b>
<i>bench depth 125,2 cms with sliding worktops (tops thick. 18mm)</i>	
<b>BENCH PROF.165,2 CON PIANI SCORREVOLI (PIANI SP. 18mm)</b> .....	<b>26</b>
<i>bench depth 165,2 cms with sliding worktops (tops thick. 18mm)</i>	
<b>SCRIVANIE CON GAMBA A PONTE (PIANI SP. 18mm)</b> .....	<b>27</b>
<i>desks with bridge leg (tops thick. 18mm)</i>	
<b>SCRIVANIE SINGOLE CON CAVALLETTI (PIANI SP. 18mm)</b> .....	<b>29</b>
<i>single desks with gantries legs (tops thick. 18mm)</i>	
<b>SCRIVANIE IN LINEA PROF.80 CON CAVALLETTI (PIANI SP. 18mm)</b> .....	<b>30</b>
<i>linear desks depth 80 cms with gantries legs (tops thick. 18mm)</i>	
<b>BENCH PROF. CM 165,2 CON TOP ACCESS A RIBALTA (PIANI SP. 18mm)</b> .....	<b>30</b>
<i>bench depth 165,2 cms with top access tip-up door (tops thick. 18mm)</i>	
<b>SCRIVANIE CON CAVALLETTO DA APPOGGIO (PIANI SP. 18mm)</b> .....	<b>31</b>
<i>desks with gantries legs (tops thick. 18mm)</i>	
<b>PANNELLI FRONTALI E ACCESSORI</b> .....	<b>32</b>
<i>front panels and accessories</i>	
<b>COMPLEMENTI PER BENCH</b> .....	<b>33</b>
<i>complements for bench</i>	
<b>BARRE ATTREZZABILI FRONTALI E COMPLEMENTI PER BENCH</b> .....	<b>35</b>
<i>front toolbars and complements for bench</i>	
<b>BARRE ATTREZZABILI LATERALI A FILO PIANO</b> .....	<b>36</b>
<i>lateral desk height toolbars</i>	
<b>PANNELLI FRONTALI CON BARRA-ATTREZZABILE PER BENCH (h.38,2 DAL PIANO SCRIVANIA)</b> .....	<b>37</b>
<i>front panels with toolbar for bench (h.38,2 cms from worktop)</i>	
<b>PANNELLI FRONTALI CON BARRA-ATTREZZABILE PER BENCH (h.46,7 DAL PIANO SCRIVANIA)</b> .....	<b>37</b>
<i>front panels with toolbar for bench (h.46,7 cms from worktop)</i>	
<b>ACCESSORI PER PANNELLI FRONTALI CON BARRA ATTREZZABILE</b> .....	<b>38</b>
<i>accessories for front panels with toolbar</i>	
<b>BARRE CENTRALI PER BENCH CON PIANI SCORREVOLI O CON TOP-ACCESS</b> .....	<b>39</b>
<i>central bar for bench with sliding tops or with top access</i>	
<b>PANNELLI FONOASSORBENTI RIVESTITI IN TESSUTO</b> .....	<b>40</b>
<i>sound-proofing panels covered with fabric</i>	
<b>PIANI SCRIVANIE PER GAMBE A PONTE</b> .....	<b>41</b>
<i>desktops for bridge legs</i>	
<b>PIANI TERMINALI PER BENCH</b> .....	<b>41</b>
<i>terminal tops for bench</i>	
<b>PIANI SCRIVANIE PER TOP ACCESS CON CHIUSURA AMMORTIZZATA</b> .....	<b>42</b>
<i>desktops for top-access with soft-close</i>	

<b>PIANI BENCH PROF. CM 165,2 CON BARRA CENTRALE E TOP ACCESS A RIBALTA</b> .....	<b>42</b>
<i>bench tops depth 165,2 cms with central bar and top access tip-up door</i>	
<b>PENISOLE SOLO PER BENCH CON CAVALLETTI</b> .....	<b>43</b>
<i>terminals for benches for gantries legs ONLY!</i>	
<b>GAMBE METALLICHE A PONTE CON ALTEZZA REGOLABILE</b> .....	<b>44</b>
<i>bridge metal legs with adjustable height</i>	
<b>GAMBE METALLICHE A PONTE E KIT WIRE-MANAGER</b> .....	<b>44</b>
<i>bridge metal legs and wire-manager kit</i>	
<b>GAMBE METALLICHE A PONTE TERMINALI DA APPOGGIO</b> .....	<b>45</b>
<i>short terminal bridge metal legs</i>	
<b>CAVALLETTI</b> .....	<b>46</b>
<i>gantries legs</i>	
<b>CAVALLETTI DA APPOGGIO</b> .....	<b>46</b>
<i>gantries legs</i>	
<b>TRAVI DI SUPPORTO</b> .....	<b>47</b>
<i>support beams</i>	
<b>VASCHEE CENTRALI PASSA-CAVI PER BENCH E SCRIVANIE SINGOLE</b> .....	<b>48</b>
<i>central cable trays for bench and single desks</i>	
<b>SCHEMA DI UTILIZZO TRAVI E VASCHEE PORTA-CAVI</b> .....	<b>49</b>
<i>scheme of using support beams and cable-tray</i>	
<b>SCHEMA DI UTILIZZO TRAVI E VASCHEE PORTA-CAVI SU SCRIVANIE E BENCH CON CAVALLETTI</b> .....	<b>50</b>
<i>scheme of using support beams and cable-tray on desks or bench with gantries</i>	
<b>STAFFE</b> .....	<b>51</b>
<i>stirrups</i>	
<b>MODULI PARETINE H.111</b> .....	<b>55</b>
<i>partition panels h.111 cms</i>	
<b>MODULI PARETINE H.150</b> .....	<b>56</b>
<i>partition panels h.150 cms</i>	
<b>MODULI PARETINE H.150</b> .....	<b>57</b>
<i>partition panels h.150 cms</i>	
<b>PIANI SCRIVANIE BORDATI SP. 25mm (MELAMINICO)</b> .....	<b>58</b>
<i>square edged desktops thick 25mm (melamine)</i>	
<b>ALLUNGHI SP. 25mm (MELAMINICO)</b> .....	<b>59</b>
<i>square edged extensions and tops thick 25mm (melamine)</i>	
<b>MONTANTI, GAMBE A CORNICE, TRAVI E STAFFE PER PARETINE</b> .....	<b>60</b>
<i>uprights, frame legs, beams and stirrups for partition panels</i>	
<b>KIT PIASTRINI PER SUPPORTO PIANI SU PARETINE</b> .....	<b>61</b>
<i>kit of support plates for desktops with panels system</i>	
<b>CANALINE PASSACAVI PER PARETINE</b> .....	<b>62</b>
<i>cable trays for partition panels</i>	
<b>MENSOLE PER PARETINE H.150</b> .....	<b>62</b>
<i>shelves for partition panels h.150 cms</i>	
<b>PENSILI PORTA-DOX PER PARETINE H.150</b> .....	<b>63</b>
<i>suspended storage cabinets for partitions panels h.150 cms</i>	
<b>ACCESSORI</b> .....	<b>64</b>
<i>accessories</i>	
<b>MOBILI DI SERVIZIO E PORTA-CPU</b> .....	<b>65</b>
<i>service units and CPU-holder</i>	
<b>MOBILI DI SERVIZIO E PORTA-CPU</b> .....	<b>66</b>
<i>service units and CPU-holder</i>	
<b>CLASSIFICATORE FREE-STANDING</b> .....	<b>67</b>
<i>free-standing file pedestal</i>	
<b>MOBILI DI SERVIZIO PROF. CM 42 PER SCRIVANIE O BENCH</b> .....	<b>68</b>
<i>service cabinets depth 42 cms for desks or bench</i>	
<b>COMPLEMENTI PER ART.177-178</b> .....	<b>69</b>
<i>complements for art.177-178</i>	
<b>COMPLEMENTI PER ART.178</b> .....	<b>69</b>
<i>complements for art.178</i>	

.....  
System

.....  
Elementi comuni  
shared elements

<b>MOBILI DI RACCORDO PROF. CM 42</b> .....	<b>70</b>
<i>joining cabinets depth 42 cms</i>	
<b>MOBILI DI RACCORDO PROF. CM 60</b> .....	<b>70</b>
<i>joining cabinets depth 60 cms</i>	
<b>MOBILI AGGREGABILI</b> .....	<b>71</b>
<i>joining cabinets</i>	
<b>CONTENITORE BASSO L.80</b> .....	<b>72</b>
<i>low cabinet w 80 cms</i>	
<b>TOP PER CONTENITORE BASSO L.80</b> .....	<b>73</b>
<i>top for low cabinet w 80 cms</i>	
<b>CASSETTIERE SU RUOTE</b> .....	<b>74</b>
<i>mobile pedestals</i>	
<b>ACCESSORI PER CASSETTIERE SU RUOTE</b> .....	<b>75</b>
<i>accessories for pedestals on wheels</i>	
<b>CASSETTIERE-BASI O LATERALI PER PIANI PROF. CM 60-80</b> .....	<b>76</b>
<i>base or lateral pedestals for desktops depth 60-80 cms</i>	
<b>TOP PER CASSETTIERE-BASI</b> .....	<b>77</b>
<i>top for base-pedestals</i>	
<b>STORAGE PER PIANI PROF. CM 80</b> .....	<b>78</b>
<i>storage for desktops depth 80 cms</i>	
<b>TOP PER STORAGE</b> .....	<b>79</b>
<i>top for storage</i>	
<b>ACCESSORI</b> .....	<b>80</b>
<i>accessories</i>	
<b>KIT ELETTRIFICAZIONE tipo K1 (BACHMANN)</b> .....	<b>81</b>
<i>electrification kit type K1 (by Bachmann)</i>	
<b>KIT ELETTRIFICAZIONE tipo K2 (BACHMANN)</b> .....	<b>81</b>
<i>electrification kit type K2 (by Bachmann)</i>	
..... <b>TAVOLI TEAM (PIANI SP. 18mm)</b> .....	<b>84</b>
<i>team tables (tops thick. 18mm)</i>	
<b>TAVOLI RIUNIONE (PIANI SP. 18mm)</b> .....	<b>85</b>
<i>meeting tables (tops thick. 18mm)</i>	
<b>DESCRIZIONE TECNICA</b> .....	<b>90</b>
<b>TECHNICAL DESCRIPTION</b> .....	<b>92</b>
<b>INDICE DEI CODICI</b> .....	<b>94</b>
<i>codes index</i>	

.....  
Team & Meeting  
tables

**N.B.: ALTRE TIPOLOGIE DI MOBILI CONTENITORI, LOCKERS  
E LIBRERIE A SPALLA UNICA  
SONO INSERITI NEL CAPITOLO "CONTENITORI UNIVERSALI EVO"  
PLEASE NOTE: you can find other cabinet models, lockers  
and bookcases with shared side panel in the section "UNIVERSAL CABINETS EVO"**

**CARTELLA COLORI**  
colours samples card

**PIANI DI LAVORO, PARETINE**  
work tops, partition panels

**IN ABBINAMENTO**  
matching colours

**FRONTALI E SCHIENA DI CASSETTIERE, MOBILI SOTTOPIANO E MOBILI DI SERVIZIO**  
fronts and back panel of pedestals, countertop cabinets and service units



COD. 03  
ROVERE | OAK



COD. 04  
ROVERE GREY | GREY OAK



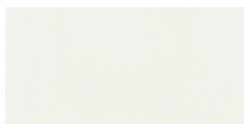
COD. 06  
NOCE PAVIA | PAVA WALNUT



COD. 44  
STONE GREY | STONE GREY



COD. 45  
WENGÉ | WENGÉ



COD. 69  
BIANCO BR. | BR. WHITE



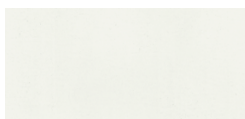
COD. 01  
ARGENTO GOLF | GOLF SILVER



COD. 44  
STONE GREY | STONE GREY



COD. 55  
ANTRACITE | ANTHRACITE



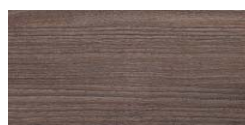
COD. 69  
BIANCO BR. | BR. WHITE



COD. 01  
ARGENTO GOLF | GOLF SILVER



COD. 03  
ROVERE | OAK



COD. 04  
ROVERE GREY | GREY OAK



COD. 06  
NOCE PAVIA | PAVA WALNUT



COD. 11  
GIALLO FRESIA | FREESIA YELLOW



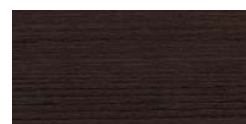
COD. 32  
AZZURRO SKY | SKY BLUE



COD. 33  
AMARANTO | AMARANTH



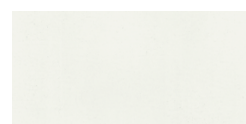
COD. 44  
STONE GREY | STONE GREY



COD. 45  
WENGÉ | WENGÉ



COD. 55  
ANTRACITE | ANTHRACITE



COD. 69  
BIANCO BR. | BR. WHITE



COD. 96  
VERDE BOSCO | WOOD GREEN

**PIANI IN VETRO**  
glass tops



COD. 10  
NERO | BLACK



COD. 72  
TORTORA | GREY BEIGE



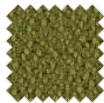
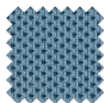

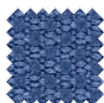
COD. 74  
ROSSO RUBINO | RUBY RED

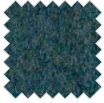
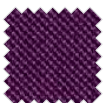
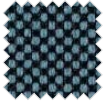
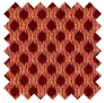


COD. 79  
BIANCO | WHITE

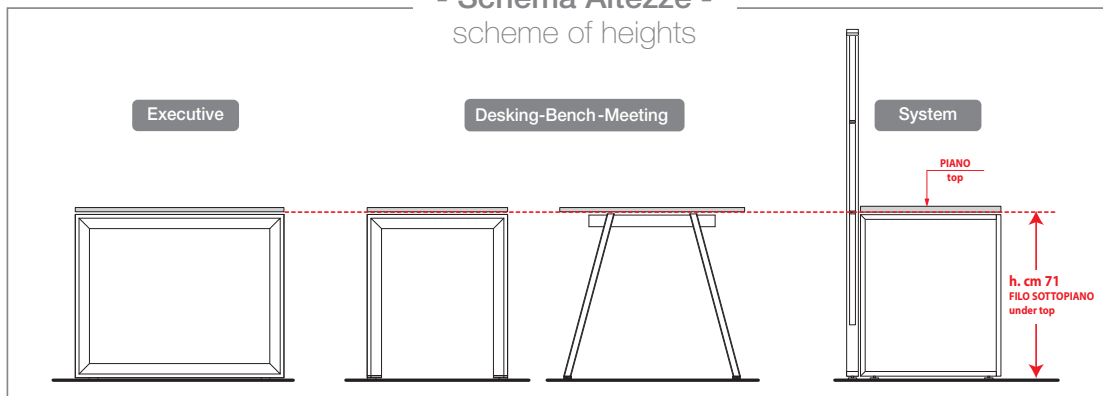
(\*) RIEPILOGO CODICI TAPPEZZERIA | FABRICS CODES

5<sup>TH</sup> ELEMENT

CATEGORY	CODE	(*)	COLORE	COLOUR
<b>CAT. B</b>				
CREPE	---	---	522	GRIGIO PERLA LIGHT GREY
	---	---	523	GRIGIO SCURO DARK GREY
	---	---	524	NERO BLACK
	---	---	525	AVORIO IVORY
	---	---	526	NOCCIOLA HAZEL
	---	---	527	MALTO MALT
	---	---	528	VERDE ACIDO ACID GREEN
	---	---	529	PETROLIO PETROLEUM
	---	---	530	ARTICO ARCTIC
	---	---	531	CELESTE LIGHT BLUE
	---	---	532	COBALTO COBALT
	---	---	533	BLU BLUE
	---	---	534	GIALLO YELLOW
	---	---	535	ARANCIO ORANGE
	---	---	536	VINACCIO WINE RED
	---	---	537	ROSSO RED
	---	---	538	PRUGNA PLUM
<b>CAT. D</b>				
STRETCH	---	---	585	AVORIO IVORY
	---	---	586	GRIGIO GREY
	---	---	587	ANTRACITE ANTHRACITE
	---	---	588	NERO BLACK
	---	---	589	TORTORA GREY BEIGE
	---	---	590	MARRONE BROWN
	---	---	591	VERDE ACIDO ACID GREEN
	---	---	592	VERDE BOSCO WOOD GREEN
	---	---	593	AZZURRO SKY SKY BLUE
	---	---	594	BLU BLUE
	---	---	595	GIALLO FRESIA FREESIA YELLOW
	---	---	596	ARANCIO ORANGE
	---	---	597	ROSSO RED
	---	---	598	AMARANTO AMARANTH
<b>MELANGE</b>				
	---	---	603	CENERE ASH
	---	---	604	GRIGIO GREY
	---	---	605	FUMO SMOKE
	---	---	606	TORTORA GREY BEIGE
	---	---	607	NOCCIOLA HAZEL
	---	---	608	VERDE ACIDO ACID GREEN
	---	---	609	MUSCHIO MOSS GREEN
	---	---	610	VERDONE DARK GREEN
	---	---	611	ARTICO ARCTIC
	---	---	612	AZZURRO AZURE
	---	---	613	COBALTO COBALT
	---	---	614	PETUNIA PETUNIA
	---	---	615	RIBES CURRANT
	---	---	616	GRANATA GARNET
<b>TREVI</b>				
	---	---	621	GRIGIO GREY
	---	---	622	PORFIDO PORPHYRY
	---	---	623	GRIGIO SCURO DARK GREY
	---	---	624	NERO BLACK
	---	---	625	TORTORA GREY BEIGE
	---	---	626	NOCCIOLA HAZEL
	---	---	627	MARRONE BROWN
	---	---	628	VERDE ACIDO ACID GREEN
	---	---	629	PETROLIO PETROLEUM
	---	---	630	CELESTE LIGHT BLUE
	---	---	631	PERVINCA PERIWINKLE
	---	---	632	BLU BLUE
	---	---	633	OCRA OCHER
	---	---	634	MATTONE BRICK RED
	---	---	635	PETUNIA PETUNIA
	---	---	636	ROSSO RED
	---	---	637	AMARANTO AMARANTH
















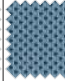
CATEGORY	CODE	(*)	COLORE	COLOUR
<b>CAT. E</b>				
LANA	---	---	642	GRIGIO CHIARO LIGHT GREY
	---	---	643	GRIGIO SCURO DARK GREY
	---	---	644	FUMO SMOKE
	---	---	645	TORTORA GREY BEIGE
	---	---	646	MARRONE BROWN
	---	---	647	VERDE ACIDO ACID GREEN
	---	---	648	MUSCHIO MOSS GREEN
	---	---	649	ARTICO ARCTIC
	---	---	650	MALIBU' MALIBU
	---	---	651	PERVINCA PERIWINKLE
	---	---	652	AVIO NAVY BLUE
	---	---	653	RUGGINE RUSSET
	---	---	654	MATTONE BRICK RED
	---	---	655	FUOCO FIRE RED
<b>CAT. F</b>				
TAYLOR BY FLUKSO	---	---	689	MARNA MARL
	---	---	690	GRIGIO SCURO DARK GREY
	---	---	691	GRAFITE GRAPHITE
	---	---	692	NERO BLACK
	---	---	693	TORTORA GREY BEIGE
	---	---	694	TABACCO TOBACCO
	---	---	695	OLIVA OLIVE
	---	---	696	PETROLIO PETROLEUM
	---	---	697	AVIO NAVY BLUE
	---	---	698	BLU NOTTE NIGHT BLUE
	---	---	699	OCRA OCHER
	---	---	700	MATTONE BRICK RED
	---	---	701	PRUGNA PLUM
	---	---	702	ROSSO RED
	---	---	703	VINACCIO WINE RED
<b>CAT. G</b>				
GO CHECK BY GABRIEL	---	---	736	GRIGIO GREY
	---	---	737	NERO BLACK
	---	---	738	BEIGE BEIGE
	---	---	739	FANGO MUD
	---	---	740	CACAO COCOA
	---	---	741	VERDE GREEN
	---	---	742	PRATO LAWN
	---	---	743	BOTTIGLIA BOTTLE
	---	---	744	AZZURRO AZURE
	---	---	745	TURCHESE TURQUOISE
	---	---	746	MARE SEA
	---	---	747	BLU BLUE
	---	---	748	GIALLO YELLOW
	---	---	749	ARANCIO ORANGE
	---	---	750	PESCA PEACH
	---	---	751	ROSSO RED
	---	---	752	AMARANTO AMARANTH
<b>RUNNER BY GABRIEL</b>				
	---	---	757	BIANCO WHITE
	---	---	758	ACCIAIO STEEL
	---	---	759	GRAFITE GRAPHITE
	---	---	760	NERO BLACK
	---	---	761	BEIGE BEIGE
	---	---	762	MARRONE BROWN
	---	---	763	VERDE GREEN
	---	---	764	PRATO LAWN
	---	---	765	TURCHESE TURQUOISE
	---	---	766	MARE SEA
	---	---	767	ARANCIO ORANGE
	---	---	768	ROSSO RED

- Schema Altezze -  
scheme of heights



**ABBINAMENTI COLORI**  
matching colours

**5TH ELEMENT**

		COLORI LEGNI wooden colours											B		
		ROVERE oak	ROVERE GREY grey oak	NOCE PAVIA pavia walnut	WENGÈ wengè	BIANCO BR. br. white	ARGENTO GOLF golf silver	ANTRACITE anthracite	STONE GREY stone grey	GIALLO FRESIA freesia yellow	AZZURRO SKY sky blue	AMARANTO amaranth	VERDE BOSCO acid green	CREPE	STRETCH
		Cod. 03	Cod. 04	Cod. 06	Cod. 45	Cod. 69	Cod. 01	Cod. 55	Cod. 44	Cod. 11	Cod. 32	Cod. 33	Cod. 96		
COMPONENTI components															
SCRIVANIE E TAVOLI RIUNIONE desks and meeting table	PIANO E TOP ACCESS desktop and top access	◇	◇	◇	◇	◇			◇						
	TRAVI beam														
	GAMBE legs														
SCHIENE PER SCRIVANIE EXECUTIVE executive modesty panel	PANNELLO panel	◇	◇	◇	◇	◇			◇						
	STAFFE stirrups														
SCHIENE PER SCRIVANIE OPERATIVE operative modesty panel	PANNELLO panel					◇	◇	◇	◇						
	STAFFE stirrups														
VASCHEE PASSACAVI cable trays															
CASSETTIERE SU RUOTE mobile pedestals	TOP FRONTALI E SCHIENA top, fronts and back panel	◇	◇	◇	◇	◇	◇	◇	◇	◇	◇	◇	◇		
	STRUTTURA structure					◇	◇	◇	◇	◇	◇	◇	◇		
CUSCINI cushions														◇	◇
CASSETTIERE-BASI MOBILE SOTTOPIANO MOBILI DI SERVIZIO base-pedestals undertop cabinet service units	TOP, FRONTALI E SCHIENA top, fronts and back panel	◇	◇	◇	◇	◇	◇	◇	◇	◇	◇	◇	◇		
	STRUTTURA structure					◇	◇	◇	◇						
PANNELLI FRONTALI E LATERALI front panels and side panel	PANNELLO panel	◇	◇	◇	◇	◇	◇	◇	◇					◇	◇
	SUPPORTI supports														
PARETINE partition panels	PANNELLO INFERIORE lower panel						◇								
	PANNELLI SUPERIORI upper panels	◇	◇	◇	◇	◇			◇						◇
	TELAIO frame														
GAMBE A CORNICE PER PARETINE frame legs for partition panels															
TRAVI E STAFFE beams and stirrups															
MENSOLE PER PARETINE shelves for partition panel	MENSOLA shelf						◇								
	BARRA DI SUPPORTO support bar														
PENSILI PORTA- DOX suspended storage cabinet	ANTA door	◇	◇	◇	◇	◇			◇						
	STRUTTURA structure						◇								



CATEGORIE TESSUTI DISPONIBILI <i>categories of fabrics availables</i>						COLORI VETRI <i>glass colours</i>					COLORI METALLI <i>metal colours</i>					
D		E	F	G		NERO <i>black</i>	TORTORA <i>grey beige</i>	ROSSO RUBINO <i>ruby red</i>	BIANCO <i>white</i>	METACRILATO BIANCO <i>white methacrilate</i>	ARGENTO <i>silver</i>	BIANCO <i>white</i>	ANTRACITE <i>anthracite</i>	STONE GREY <i>stone grey</i>	CROMATO <i>chromed</i>	ALLUMINIO <i>aluminium</i>
MELANGE	TREVI	LANA	TAYLOR <i>by Flukso</i>	GO CHECK <i>by Gabriel</i>	RUNNER <i>by Gabriel</i>											
						<b>Cod. 10</b>	<b>Cod. 72</b>	<b>Cod. 74</b>	<b>Cod. 79</b>		<b>AR 02</b>	<b>BI 02</b>	<b>AN 02</b>	<b>SG 01</b>	<b>CR 01</b>	-
						◇	◇	◇	◇							
											◇	◇	◇	◇		
											◇	◇	◇	◇	◇	
											◇					
											◇	◇	◇	◇		
											◇	◇	◇	◇		
◇	◇	◇	◇	◇	◇											
◇	◇	◇	◇	◇	◇					◇						
											◇					
										◇						◇
											◇					
											◇					
																◇
																◇

# Executive



## • GAMBA METALLICA A PONTE

MATERIALE: Tubolare metallico a sezione trapezoidale

FINITURA: Verniciatura a polveri epossidiche nei colori: Argento, Bianco, Antracite, Stone grey

CARATTERISTICA: Predisposta per il fissaggio delle travi portanti. Dotata di piedini livellatori.

## • BRIDGE METAL LEG

MATERIAL: Metallic tubular with trapezoidal section

FINISH: Painted with epoxy resin powder in colours: Silver, White, Anthracite, Stone grey

FEATURE: The leg is predisposed for to fix the supporting beams. Adjustable feet included.

## • GAMBA METALLICA A "LOOP"

MATERIALE: Tubolare metallico a sezione trapezoidale

FINITURA: Verniciatura a polveri epossidiche nei colori: Argento, Bianco, Antracite, Stone grey oppure nella versione CROMATA lucida.

CARATTERISTICA: Predisposta per il fissaggio delle travi portanti. Dotata di piedini livellatori.

## • "LOOP" METAL LEG

MATERIAL: Metallic tubular with trapezoidal section

FINISH: Painted with epoxy resin powder in colours: Silver, White, Anthracite, Stone grey or shine CHROME version.

FEATURE: The leg is predisposed for to fix the supporting beams. Adjustable feet included.



## • PIANI DI LAVORO

MATERIALE:

Pannello di particelle di legno sp. 18mm nobilitato in melaminico oppure vetro temperato sp. 10mm

COLORI MELAMINICO: Bianco Br., Wengè, Noce Pavia, Stone grey, Rovere, Rovere grey.

COLORI VETRO: Nero, Rosso Rubino, Tortora, Bianco.

## • WORK TOPS

MATERIAL: Particleboard panel 18mm thick. melamine-faced or tempered glass 10 mm thick.

MELAMINE COLOURS: Br. White, Wengè, Pavia walnut, Stone grey, Oak, Grey oak.

GLASS COLOURS: Black, Ruby Red, Grey beige, White.



## • MODESTY PANEL

MATERIALE: Pannello di particelle di legno sp. 18mm

FINITURA: Nobilitato in melaminico

COLORI: Bianco Br., Wengè, Noce Pavia, Stone grey, Rovere, Rovere grey.

CARATTERISTICA: Dotato di staffe metalliche idonee al fissaggio sottopiano

## • MODESTY PANEL

MATERIAL: Particleboard panel thick. 18mm

FINISH: Melamine-faced

COLOURS: Br. White, Wengè, Pavia walnut, Stone grey, Oak, Grey oak.

FEATURE: It is furnished with metallic stirrups for undertop fixing

# 5<sup>TH</sup> ELEMENT

Executive

5<sup>TH</sup> ELEMENT

## • TRAVI DI SOSTEGNO

MATERIALE: Tubolare metallico a sezione rettangolare

FINITURA: Verniciatura a polveri epossidiche nei colori Argento, Bianco, Antracite, Stone grey.

CARATTERISTICA: Predisposte per il fissaggio delle gambe ponte e dei piani.

## • SUPPORTING BEAMS

MATERIAL: Metallic tubular with rectangular section

FINISH: Painted with epoxy resin powder in colours Silver, White, Anthracite, Stone grey.

FEATURE: The beams are predisposed for to fix the bridge legs and the tops.



## • MOBILE-BASE

MATERIALE: Pannello di particelle di legno sp. 18mm

FINITURA: Nobilitato in melaminico

COLORI: Bianco Br., Wengè, Noce Pavia, Stone grey, Rovere, Rovere grey.

CARATTERISTICA: Consente l'alloggiamento del PC-Tower e il cablaggio tramite aperture sulla base e sul cappello. Dotato di piedini livellatori.

## • BASE-CABINET

MATERIAL: Particleboard panel 18 mm thick.

FINISH: Melamine-faced

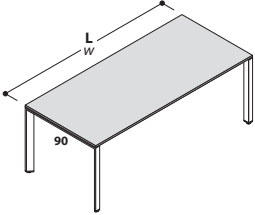
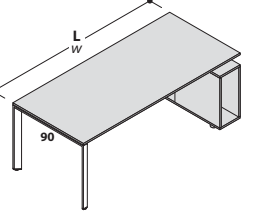
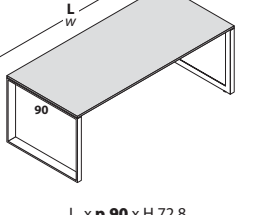
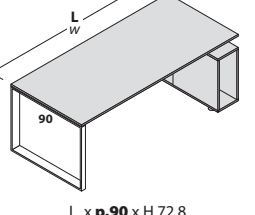
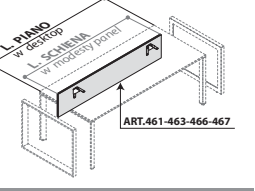
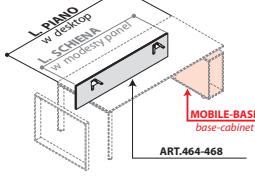
COLOURS: Br. White, Wengè, Pavia walnut, Stone grey, Oak, Grey oak.

FEATURE: It allows the PC-Tower lodging and the wire-manager through a bottom and upper opening. Adjustable feet included.



## SCRIVANIE DIREZIONALI (PIANI SP. 18mm) e SCHIENE

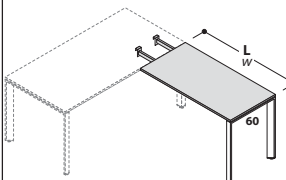
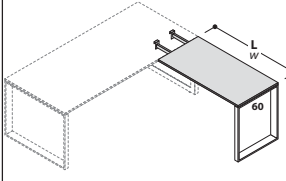
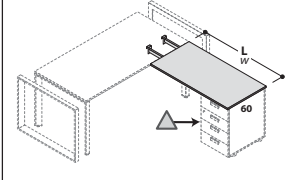
executive desks (tops thick. 18mm) and modesty panels

DESCRIZIONE description	L w	CODICE code	KG	M <sup>3</sup>	COLLI pcs	PREZZO price	PREZZO price	(*) CODICE FINITURA (*) finish code	
SCRIVANIE DIREZIONALI CON GAMBE A PONTE <i>executive desks with bridge legs</i>  L. x p.90 x H.72,8	L.160	153 890 (*)	40	0,208	4	€ 388,00	€ 712,00	(*) CODICE FINITURA (*) finish code  <b>★ GAMBE VERNICIATE / painted legs</b> (★) PIANO e MOBILE STRUTTURA top and cabinet structure 003 ROVERE ARGENTO oak silver 004 ROVERE GREY ARGENTO grey oak silver 040 BIANCO BR. ARGENTO br. white silver 044 STONE GREY ARGENTO stone grey silver 066 NOCE PAVIA ARGENTO pavia walnut silver 090 WENGÉ' ARGENTO wengé silver 400 BIANCO BR. BIANCO br. white white 403 ROVERE BIANCO oak white 404 ROVERE GREY BIANCO grey oak white 444 STONE GREY BIANCO stone grey white 466 NOCE PAVIA BIANCO pavia walnut white 490 WENGÉ' BIANCO wengé white 503 ROVERE ANTRACITE oak anthracite 504 ROVERE GREY ANTRACITE grey oak anthracite 541 BIANCO BR. ANTRACITE br. white anthracite 544 STONE GREY ANTRACITE stone grey anthracite 566 NOCE PAVIA ANTRACITE pavia walnut anthracite 591 WENGÉ' ANTRACITE wengé anthracite 803 ROVERE STONE GREY oak stone grey 804 ROVERE GREY STONE GREY grey oak stone grey 840 BIANCO BR. STONE GREY br. white stone grey 844 STONE GREY STONE GREY stone grey stone grey 866 NOCE PAVIA STONE GREY pavia walnut stone grey 890 WENGÉ' STONE GREY wengé stone grey  <b>○ GAMBE CROMATE / chromed legs</b> 903 ROVERE CROMATO oak chromed 904 ROVERE GREY CROMATO grey oak chromed 940 BIANCO BR. CROMATO br. white chromed 944 STONE GREY CROMATO stone grey chromed 966 NOCE PAVIA CROMATO pavia walnut chromed 990 WENGÉ' CROMATO wengé chromed	
	L.180	153 903 (*)	42	0,209	4	€ 404,00	€ 728,00		
	L.200	153 904 (*)	53	0,220	4	€ 424,00	€ 748,00		
	L.220	153 905 (*)	57	0,230	4	€ 442,00	€ 766,00		
	<b>GAMBE VERNICIATE</b> ★ painted legs						<b>GAMBE CROMATE</b> ○ chromed legs		
SCRIVANIE DIREZIONALI CON GAMBA A PONTE E MOBILE-BASE DX O SX <i>executive desks with bridge leg and undertop cabinet (right or left)</i>  L. x p.90 x H.72,8	L.180	153 908 (*)	59	0,220	5	€ 426,00	€ 588,00		
	L.200	153 906 (*)	71	0,228	5	€ 442,00	€ 604,00		
	<b>GAMBE VERNICIATE</b> ★ painted legs						<b>GAMBE CROMATE</b> ○ chromed legs		
SCRIVANIE DIREZIONALI CON GAMBE A "LOOP" <i>executive desks with "loop" legs</i>  L. x p.90 x H.72,8	L.160	153 892 (*)	38	0,208	4	€ 480,00	€ 844,00		
	L.180	153 909 (*)	40	0,209	4	€ 496,00	€ 860,00		
	L.200	153 911 (*)	51	0,220	4	€ 516,00	€ 880,00		
	L.220	153 912 (*)	55	0,230	4	€ 534,00	€ 898,00		
	<b>GAMBE VERNICIATE</b> ★ painted legs						<b>GAMBE CROMATE</b> ○ chromed legs		
SCRIVANIE DIREZIONALI CON GAMBA A "LOOP" E MOBILE-BASE DX O SX <i>executive desks with "loop" leg and undertop cabinet (right or left)</i>  L. x p.90 x H.72,8	L.180	153 910 (*)	58	0,220	5	€ 472,00	€ 654,00		
	L.200	153 913 (*)	70	0,228	5	€ 488,00	€ 670,00		
	<b>GAMBE VERNICIATE</b> ★ painted legs						<b>GAMBE CROMATE</b> ○ chromed legs		
SCHIENE PER SCRIVANIE DIREZIONALI CON PIANO IN LEGNO <i>modesty panels for executive desks with wooden top</i>  ART.461-463-466-467   MOBILE-BASE base-cabinet ART.464-468  L. x p.1,8 x H.30	L. SCHIENA w modesty	UTILIZZARE SU PIANI use for desktops	L.147	L.160	153 461 (*)	9	0,026	2	€ 40,00
	L.167	L.180	153 463 (*)	10	0,029	2	€ 43,00		
	L.187	L.200	153 466 (*)	11	0,029	2	€ 54,00		
	L.207	L.220	153 467 (*)	13	0,029	2	€ 59,00		
	L. SCHIENA w modesty	UTILIZZARE SU PIANI use for desktops	L.145,9	L.180	153 464 (*)	9	0,029	2	€ 40,00
	L.165,9	L.200	153 468 (*)	11	0,029	2	€ 51,00		
	<b>GAMBE VERNICIATE</b> ★ painted legs						<b>GAMBE CROMATE</b> ○ chromed legs		
	<b>GAMBE VERNICIATE</b> ★ painted legs						<b>GAMBE CROMATE</b> ○ chromed legs		
	<b>GAMBE VERNICIATE</b> ★ painted legs						<b>GAMBE CROMATE</b> ○ chromed legs		
	<b>GAMBE VERNICIATE</b> ★ painted legs						<b>GAMBE CROMATE</b> ○ chromed legs		



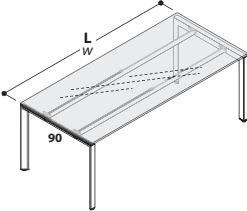
**ALLUNGHI CON GAMBE METALLICHE (PIANI SP. 18mm)**

*extensions with metal legs (tops thick. 18mm)*

DESCRIZIONE <i>description</i>	L <i>w</i>	CODICE <i>code</i>	KG	M <sup>3</sup>	COLLI	PREZZO <i>price</i>	PREZZO <i>price</i>	(*) CODICE FINITURA <i>(*) finish code</i>																																																																																																																													
<p>ALLUNGHI DX O SX CON GAMBA A PONTE <i>right or left extensions with bridge leg</i></p>  <p>L. x p.60 x H.72,8</p>						<p><b>GAMBE VERNICIATE</b> ★ <i>★ painted legs</i></p> <p><b>GAMBE CROMATE</b> ○ <i>○ chromed legs</i></p>																																																																																																																															
								<p>★ <b>GAMBE VERNICIATE / painted legs</b></p> <table border="1"> <thead> <tr> <th>(*)</th> <th>PIANO</th> <th>STRUTTURA</th> <th>top</th> <th>structure</th> </tr> </thead> <tbody> <tr><td>003</td><td>ROVERE</td><td>ARGENTO</td><td>oak</td><td>silver</td></tr> <tr><td>004</td><td>ROVERE GREY</td><td>ARGENTO</td><td>grey oak</td><td>silver</td></tr> <tr><td>040</td><td>BIANCO BR.</td><td>ARGENTO</td><td>br. white</td><td>silver</td></tr> <tr><td>044</td><td>STONE GREY</td><td>ARGENTO</td><td>stone grey</td><td>silver</td></tr> <tr><td>066</td><td>NOCE PAVIA</td><td>ARGENTO</td><td>pavia walnut</td><td>silver</td></tr> <tr><td>090</td><td>WENGÈ</td><td>ARGENTO</td><td>wengè</td><td>silver</td></tr> <tr><td>400</td><td>BIANCO BR.</td><td>BIANCO</td><td>br. white</td><td>white</td></tr> <tr><td>403</td><td>ROVERE</td><td>BIANCO</td><td>oak</td><td>white</td></tr> <tr><td>404</td><td>ROVERE GREY</td><td>BIANCO</td><td>grey oak</td><td>white</td></tr> <tr><td>444</td><td>STONE GREY</td><td>BIANCO</td><td>stone grey</td><td>white</td></tr> <tr><td>466</td><td>NOCE PAVIA</td><td>BIANCO</td><td>pavia walnut</td><td>white</td></tr> <tr><td>490</td><td>WENGÈ</td><td>BIANCO</td><td>wengè</td><td>white</td></tr> <tr><td>503</td><td>ROVERE</td><td>ANTRACITE</td><td>oak</td><td>anthracite</td></tr> <tr><td>504</td><td>ROVERE GREY</td><td>ANTRACITE</td><td>grey oak</td><td>anthracite</td></tr> <tr><td>541</td><td>BIANCO BR.</td><td>ANTRACITE</td><td>br. white</td><td>anthracite</td></tr> <tr><td>544</td><td>STONE GREY</td><td>ANTRACITE</td><td>stone grey</td><td>anthracite</td></tr> <tr><td>566</td><td>NOCE PAVIA</td><td>ANTRACITE</td><td>pavia walnut</td><td>anthracite</td></tr> <tr><td>591</td><td>WENGÈ</td><td>ANTRACITE</td><td>wengè</td><td>anthracite</td></tr> <tr><td>803</td><td>ROVERE</td><td>STONE GREY</td><td>oak</td><td>stone grey</td></tr> <tr><td>804</td><td>ROVERE GREY</td><td>STONE GREY</td><td>grey oak</td><td>stone grey</td></tr> <tr><td>840</td><td>BIANCO BR.</td><td>STONE GREY</td><td>br. white</td><td>stone grey</td></tr> <tr><td>844</td><td>STONE GREY</td><td>STONE GREY</td><td>stone grey</td><td>stone grey</td></tr> <tr><td>866</td><td>NOCE PAVIA</td><td>STONE GREY</td><td>pavia walnut</td><td>stone grey</td></tr> <tr><td>890</td><td>WENGÈ</td><td>STONE GREY</td><td>wengè</td><td>stone grey</td></tr> </tbody> </table>	(*)	PIANO	STRUTTURA	top	structure	003	ROVERE	ARGENTO	oak	silver	004	ROVERE GREY	ARGENTO	grey oak	silver	040	BIANCO BR.	ARGENTO	br. white	silver	044	STONE GREY	ARGENTO	stone grey	silver	066	NOCE PAVIA	ARGENTO	pavia walnut	silver	090	WENGÈ	ARGENTO	wengè	silver	400	BIANCO BR.	BIANCO	br. white	white	403	ROVERE	BIANCO	oak	white	404	ROVERE GREY	BIANCO	grey oak	white	444	STONE GREY	BIANCO	stone grey	white	466	NOCE PAVIA	BIANCO	pavia walnut	white	490	WENGÈ	BIANCO	wengè	white	503	ROVERE	ANTRACITE	oak	anthracite	504	ROVERE GREY	ANTRACITE	grey oak	anthracite	541	BIANCO BR.	ANTRACITE	br. white	anthracite	544	STONE GREY	ANTRACITE	stone grey	anthracite	566	NOCE PAVIA	ANTRACITE	pavia walnut	anthracite	591	WENGÈ	ANTRACITE	wengè	anthracite	803	ROVERE	STONE GREY	oak	stone grey	804	ROVERE GREY	STONE GREY	grey oak	stone grey	840	BIANCO BR.	STONE GREY	br. white	stone grey	844	STONE GREY	STONE GREY	stone grey	stone grey	866	NOCE PAVIA	STONE GREY	pavia walnut	stone grey	890	WENGÈ	STONE GREY	wengè	stone grey
	(*)	PIANO	STRUTTURA	top	structure																																																																																																																																
	003	ROVERE	ARGENTO	oak	silver																																																																																																																																
	004	ROVERE GREY	ARGENTO	grey oak	silver																																																																																																																																
	040	BIANCO BR.	ARGENTO	br. white	silver																																																																																																																																
	044	STONE GREY	ARGENTO	stone grey	silver																																																																																																																																
	066	NOCE PAVIA	ARGENTO	pavia walnut	silver																																																																																																																																
	090	WENGÈ	ARGENTO	wengè	silver																																																																																																																																
	400	BIANCO BR.	BIANCO	br. white	white																																																																																																																																
403	ROVERE	BIANCO	oak	white																																																																																																																																	
404	ROVERE GREY	BIANCO	grey oak	white																																																																																																																																	
444	STONE GREY	BIANCO	stone grey	white																																																																																																																																	
466	NOCE PAVIA	BIANCO	pavia walnut	white																																																																																																																																	
490	WENGÈ	BIANCO	wengè	white																																																																																																																																	
503	ROVERE	ANTRACITE	oak	anthracite																																																																																																																																	
504	ROVERE GREY	ANTRACITE	grey oak	anthracite																																																																																																																																	
541	BIANCO BR.	ANTRACITE	br. white	anthracite																																																																																																																																	
544	STONE GREY	ANTRACITE	stone grey	anthracite																																																																																																																																	
566	NOCE PAVIA	ANTRACITE	pavia walnut	anthracite																																																																																																																																	
591	WENGÈ	ANTRACITE	wengè	anthracite																																																																																																																																	
803	ROVERE	STONE GREY	oak	stone grey																																																																																																																																	
804	ROVERE GREY	STONE GREY	grey oak	stone grey																																																																																																																																	
840	BIANCO BR.	STONE GREY	br. white	stone grey																																																																																																																																	
844	STONE GREY	STONE GREY	stone grey	stone grey																																																																																																																																	
866	NOCE PAVIA	STONE GREY	pavia walnut	stone grey																																																																																																																																	
890	WENGÈ	STONE GREY	wengè	stone grey																																																																																																																																	
L.80	153 013 (*)	17	0,084	4	€ 236,00	€ 371,00																																																																																																																															
L.100	153 014 (*)	20	0,094	4	€ 248,00	€ 383,00																																																																																																																															
L.120	153 010 (*)	24	0,102	4	€ 259,00	€ 394,00																																																																																																																															
<p>ALLUNGHI DX O SX CON GAMBA A "LOOP" <i>right or left extensions with "loop" leg</i></p>  <p>L. x p.60 x H.72,8</p>																																																																																																																																					
								<p>○ <b>GAMBE CROMATE / chromed legs</b></p> <table border="1"> <tbody> <tr><td>903</td><td>ROVERE</td><td>CROMATO</td><td>oak</td><td>chromed</td></tr> <tr><td>904</td><td>ROVERE GREY</td><td>CROMATO</td><td>grey oak</td><td>chromed</td></tr> <tr><td>940</td><td>BIANCO BR.</td><td>CROMATO</td><td>br. white</td><td>chromed</td></tr> <tr><td>944</td><td>STONE GREY</td><td>CROMATO</td><td>stone grey</td><td>chromed</td></tr> <tr><td>966</td><td>NOCE PAVIA</td><td>CROMATO</td><td>pavia walnut</td><td>chromed</td></tr> <tr><td>990</td><td>WENGÈ</td><td>CROMATO</td><td>wengè</td><td>chromed</td></tr> </tbody> </table>	903	ROVERE	CROMATO	oak	chromed	904	ROVERE GREY	CROMATO	grey oak	chromed	940	BIANCO BR.	CROMATO	br. white	chromed	944	STONE GREY	CROMATO	stone grey	chromed	966	NOCE PAVIA	CROMATO	pavia walnut	chromed	990	WENGÈ	CROMATO	wengè	chromed																																																																																															
	903	ROVERE	CROMATO	oak	chromed																																																																																																																																
	904	ROVERE GREY	CROMATO	grey oak	chromed																																																																																																																																
	940	BIANCO BR.	CROMATO	br. white	chromed																																																																																																																																
	944	STONE GREY	CROMATO	stone grey	chromed																																																																																																																																
	966	NOCE PAVIA	CROMATO	pavia walnut	chromed																																																																																																																																
	990	WENGÈ	CROMATO	wengè	chromed																																																																																																																																
	L.80	153 095 (*)	18	0,084	4	€ 286,00	€ 461,00																																																																																																																														
	L.100	153 096 (*)	21	0,094	4	€ 298,00	€ 473,00																																																																																																																														
L.120	153 097 (*)	25	0,102	4	€ 309,00	€ 484,00																																																																																																																															
<p>ALLUNGHI DX O SX PER CASSETTIERA-BASE <i>right or left extensions for base-pedestal</i></p>  <p>L. x p.60 x H.1,8</p>																																																																																																																																					
								<table border="1"> <thead> <tr> <th>(*)</th> <th>PIANO</th> <th>TRAVI</th> <th>top</th> <th>beams</th> </tr> </thead> <tbody> <tr><td>003</td><td>ROVERE</td><td>ARGENTO</td><td>oak</td><td>silver</td></tr> <tr><td>004</td><td>ROVERE GREY</td><td>ARGENTO</td><td>grey oak</td><td>silver</td></tr> <tr><td>040</td><td>BIANCO BR.</td><td>ARGENTO</td><td>br. white</td><td>silver</td></tr> <tr><td>044</td><td>STONE GREY</td><td>ARGENTO</td><td>stone grey</td><td>silver</td></tr> <tr><td>066</td><td>NOCE PAVIA</td><td>ARGENTO</td><td>pavia walnut</td><td>silver</td></tr> <tr><td>090</td><td>WENGÈ</td><td>ARGENTO</td><td>wengè</td><td>silver</td></tr> <tr><td>400</td><td>BIANCO BR.</td><td>BIANCO</td><td>br. white</td><td>white</td></tr> <tr><td>403</td><td>ROVERE</td><td>BIANCO</td><td>oak</td><td>white</td></tr> <tr><td>404</td><td>ROVERE GREY</td><td>BIANCO</td><td>grey oak</td><td>white</td></tr> <tr><td>444</td><td>STONE GREY</td><td>BIANCO</td><td>stone grey</td><td>white</td></tr> <tr><td>466</td><td>NOCE PAVIA</td><td>BIANCO</td><td>pavia walnut</td><td>white</td></tr> <tr><td>490</td><td>WENGÈ</td><td>BIANCO</td><td>wengè</td><td>white</td></tr> <tr><td>503</td><td>ROVERE</td><td>ANTRACITE</td><td>oak</td><td>anthracite</td></tr> <tr><td>504</td><td>ROVERE GREY</td><td>ANTRACITE</td><td>grey oak</td><td>anthracite</td></tr> <tr><td>541</td><td>BIANCO BR.</td><td>ANTRACITE</td><td>br. white</td><td>anthracite</td></tr> <tr><td>544</td><td>STONE GREY</td><td>ANTRACITE</td><td>stone grey</td><td>anthracite</td></tr> <tr><td>566</td><td>NOCE PAVIA</td><td>ANTRACITE</td><td>pavia walnut</td><td>anthracite</td></tr> <tr><td>591</td><td>WENGÈ</td><td>ANTRACITE</td><td>wengè</td><td>anthracite</td></tr> <tr><td>803</td><td>ROVERE</td><td>STONE GREY</td><td>oak</td><td>stone grey</td></tr> <tr><td>804</td><td>ROVERE GREY</td><td>STONE GREY</td><td>grey oak</td><td>stone grey</td></tr> <tr><td>840</td><td>BIANCO BR.</td><td>STONE GREY</td><td>br. white</td><td>stone grey</td></tr> <tr><td>844</td><td>STONE GREY</td><td>STONE GREY</td><td>stone grey</td><td>stone grey</td></tr> <tr><td>866</td><td>NOCE PAVIA</td><td>STONE GREY</td><td>pavia walnut</td><td>stone grey</td></tr> <tr><td>890</td><td>WENGÈ</td><td>STONE GREY</td><td>wengè</td><td>stone grey</td></tr> </tbody> </table>	(*)	PIANO	TRAVI	top	beams	003	ROVERE	ARGENTO	oak	silver	004	ROVERE GREY	ARGENTO	grey oak	silver	040	BIANCO BR.	ARGENTO	br. white	silver	044	STONE GREY	ARGENTO	stone grey	silver	066	NOCE PAVIA	ARGENTO	pavia walnut	silver	090	WENGÈ	ARGENTO	wengè	silver	400	BIANCO BR.	BIANCO	br. white	white	403	ROVERE	BIANCO	oak	white	404	ROVERE GREY	BIANCO	grey oak	white	444	STONE GREY	BIANCO	stone grey	white	466	NOCE PAVIA	BIANCO	pavia walnut	white	490	WENGÈ	BIANCO	wengè	white	503	ROVERE	ANTRACITE	oak	anthracite	504	ROVERE GREY	ANTRACITE	grey oak	anthracite	541	BIANCO BR.	ANTRACITE	br. white	anthracite	544	STONE GREY	ANTRACITE	stone grey	anthracite	566	NOCE PAVIA	ANTRACITE	pavia walnut	anthracite	591	WENGÈ	ANTRACITE	wengè	anthracite	803	ROVERE	STONE GREY	oak	stone grey	804	ROVERE GREY	STONE GREY	grey oak	stone grey	840	BIANCO BR.	STONE GREY	br. white	stone grey	844	STONE GREY	STONE GREY	stone grey	stone grey	866	NOCE PAVIA	STONE GREY	pavia walnut	stone grey	890	WENGÈ	STONE GREY	wengè	stone grey
	(*)	PIANO	TRAVI	top	beams																																																																																																																																
	003	ROVERE	ARGENTO	oak	silver																																																																																																																																
	004	ROVERE GREY	ARGENTO	grey oak	silver																																																																																																																																
	040	BIANCO BR.	ARGENTO	br. white	silver																																																																																																																																
	044	STONE GREY	ARGENTO	stone grey	silver																																																																																																																																
	066	NOCE PAVIA	ARGENTO	pavia walnut	silver																																																																																																																																
	090	WENGÈ	ARGENTO	wengè	silver																																																																																																																																
	400	BIANCO BR.	BIANCO	br. white	white																																																																																																																																
403	ROVERE	BIANCO	oak	white																																																																																																																																	
404	ROVERE GREY	BIANCO	grey oak	white																																																																																																																																	
444	STONE GREY	BIANCO	stone grey	white																																																																																																																																	
466	NOCE PAVIA	BIANCO	pavia walnut	white																																																																																																																																	
490	WENGÈ	BIANCO	wengè	white																																																																																																																																	
503	ROVERE	ANTRACITE	oak	anthracite																																																																																																																																	
504	ROVERE GREY	ANTRACITE	grey oak	anthracite																																																																																																																																	
541	BIANCO BR.	ANTRACITE	br. white	anthracite																																																																																																																																	
544	STONE GREY	ANTRACITE	stone grey	anthracite																																																																																																																																	
566	NOCE PAVIA	ANTRACITE	pavia walnut	anthracite																																																																																																																																	
591	WENGÈ	ANTRACITE	wengè	anthracite																																																																																																																																	
803	ROVERE	STONE GREY	oak	stone grey																																																																																																																																	
804	ROVERE GREY	STONE GREY	grey oak	stone grey																																																																																																																																	
840	BIANCO BR.	STONE GREY	br. white	stone grey																																																																																																																																	
844	STONE GREY	STONE GREY	stone grey	stone grey																																																																																																																																	
866	NOCE PAVIA	STONE GREY	pavia walnut	stone grey																																																																																																																																	
890	WENGÈ	STONE GREY	wengè	stone grey																																																																																																																																	
L.80	153 018 (*)	9,5	0,045	3		€ 124,00																																																																																																																															
L.100	153 019 (*)	12	0,052	3		€ 133,00																																																																																																																															
L.120	153 015 (*)	15	0,062	3		€ 136,00																																																																																																																															
<p>△ <b>COMPLETARE SEMPRE CON CASSETTIERA-BASE ART.764-775 PAG. 76</b> <i>to be always complete with base-pedestal art.764-775 page 76</i></p>																																																																																																																																					

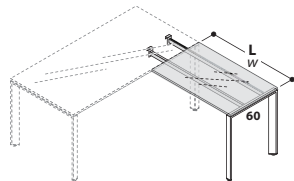
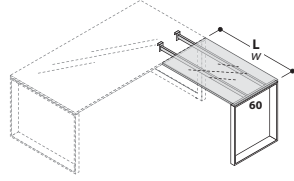


**SCRIVANIE DIREZIONALI (PIANI IN VETRO FLOAT SP. MM 10 RETROLACCATO)***executive desks (square edged rear-lacquered float glazed tops thick. 10mm)*

DESCRIZIONE <i>description</i>	L <i>w</i>	CODICE <i>code</i>	KG 	M <sup>3</sup> 	COLLI 	PREZZO <i>price</i>	(*) CODICE FINITURA <i>(*) finish code</i>	
SCRIVANIE DIREZIONALI PIANO IN VETRO E GAMBE A PONTE <i>executive desks with glass top and bridge legs</i>							★	<b>GAMBE VERNICIATE / painted legs</b>
							(*)	PIANO STRUTTURA <i>top structure</i>
							012	NERO ARGENTO <i>black silver</i>
							072	TORTORA ARGENTO <i>grey beige silver</i>
						074	ROSSO RUBINO ARGENTO <i>ruby red silver</i>	
						079	BIANCO ARGENTO <i>white silver</i>	
						412	NERO BIANCO <i>black white</i>	
						472	TORTORA BIANCO <i>grey beige white</i>	
						474	ROSSO RUBINO BIANCO <i>ruby red white</i>	
						479	BIANCO BIANCO <i>white white</i>	
						552	NERO ANTRACITE <i>black anthracite</i>	
						554	ROSSO RUBINO ANTRACITE <i>ruby red anthracite</i>	
						572	TORTORA ANTRACITE <i>grey beige anthracite</i>	
						579	BIANCO ANTRACITE <i>white anthracite</i>	
						812	NERO STONE GREY <i>black stone grey</i>	
						872	TORTORA STONE GREY <i>grey beige stone grey</i>	
						874	ROSSO RUBINO STONE GREY <i>ruby red stone grey</i>	
						879	BIANCO STONE GREY <i>white stone grey</i>	
						○	<b>GAMBE CROMATE / chromed legs</b>	
						(*)	PIANO STRUTTURA <i>top structure</i>	
						912	NERO CROMATO <i>black chromed</i>	
						974	ROSSO RUBINO CROMATO <i>ruby red chromed</i>	
						972	TORTORA CROMATO <i>grey beige chromed</i>	
						979	BIANCO CROMATO <i>white chromed</i>	
L. x p.90 x H.72,8							★	<b>GAMBE VERNICIATE / painted legs</b>
						(*)	PIANO STRUTTURA <i>top structure</i>	
SCRIVANIE DIREZIONALI PIANO IN VETRO E GAMBE A "LOOP" <i>executive desks with glass top and "loop" legs</i>							012	NERO ARGENTO <i>black silver</i>
							072	TORTORA ARGENTO <i>grey beige silver</i>
						074	ROSSO RUBINO ARGENTO <i>ruby red silver</i>	
						079	BIANCO ARGENTO <i>white silver</i>	
						412	NERO BIANCO <i>black white</i>	
						472	TORTORA BIANCO <i>grey beige white</i>	
						474	ROSSO RUBINO BIANCO <i>ruby red white</i>	
						479	BIANCO BIANCO <i>white white</i>	
						552	NERO ANTRACITE <i>black anthracite</i>	
						554	ROSSO RUBINO ANTRACITE <i>ruby red anthracite</i>	
						572	TORTORA ANTRACITE <i>grey beige anthracite</i>	
						579	BIANCO ANTRACITE <i>white anthracite</i>	
						812	NERO STONE GREY <i>black stone grey</i>	
						872	TORTORA STONE GREY <i>grey beige stone grey</i>	
						874	ROSSO RUBINO STONE GREY <i>ruby red stone grey</i>	
						879	BIANCO STONE GREY <i>white stone grey</i>	
						○	<b>GAMBE CROMATE / chromed legs</b>	
						(*)	PIANO STRUTTURA <i>top structure</i>	
						912	NERO CROMATO <i>black chromed</i>	
						974	ROSSO RUBINO CROMATO <i>ruby red chromed</i>	
						972	TORTORA CROMATO <i>grey beige chromed</i>	
						979	BIANCO CROMATO <i>white chromed</i>	
L. x p.90 x H.72,8							★	<b>GAMBE VERNICIATE / painted legs</b>
						(*)	PIANO STRUTTURA <i>top structure</i>	
SCRIVANIE DIREZIONALI PIANO IN VETRO E GAMBE A "LOOP" <i>executive desks with glass top and "loop" legs</i>							012	NERO ARGENTO <i>black silver</i>
							072	TORTORA ARGENTO <i>grey beige silver</i>
						074	ROSSO RUBINO ARGENTO <i>ruby red silver</i>	
						079	BIANCO ARGENTO <i>white silver</i>	
						412	NERO BIANCO <i>black white</i>	
						472	TORTORA BIANCO <i>grey beige white</i>	
						474	ROSSO RUBINO BIANCO <i>ruby red white</i>	
						479	BIANCO BIANCO <i>white white</i>	
						552	NERO ANTRACITE <i>black anthracite</i>	
						554	ROSSO RUBINO ANTRACITE <i>ruby red anthracite</i>	
						572	TORTORA ANTRACITE <i>grey beige anthracite</i>	
						579	BIANCO ANTRACITE <i>white anthracite</i>	
						812	NERO STONE GREY <i>black stone grey</i>	
						872	TORTORA STONE GREY <i>grey beige stone grey</i>	
						874	ROSSO RUBINO STONE GREY <i>ruby red stone grey</i>	
						879	BIANCO STONE GREY <i>white stone grey</i>	
						○	<b>GAMBE CROMATE / chromed legs</b>	
						(*)	PIANO STRUTTURA <i>top structure</i>	
						912	NERO CROMATO <i>black chromed</i>	
						974	ROSSO RUBINO CROMATO <i>ruby red chromed</i>	
						972	TORTORA CROMATO <i>grey beige chromed</i>	
						979	BIANCO CROMATO <i>white chromed</i>	
L. x p.90 x H.72,8							○	<b>GAMBE CROMATE / chromed legs</b>
						(*)	PIANO STRUTTURA <i>top structure</i>	
						912	NERO CROMATO <i>black chromed</i>	
						974	ROSSO RUBINO CROMATO <i>ruby red chromed</i>	
						972	TORTORA CROMATO <i>grey beige chromed</i>	
						979	BIANCO CROMATO <i>white chromed</i>	




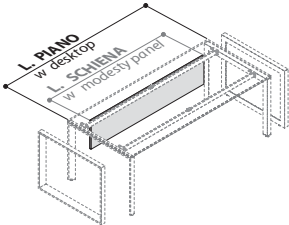



**ALLUNGHI (PIANI IN VETRO FLOAT SP. MM 10 RETROLACCATO)**  
*extensions (square edged rear-lacquered float glazed tops thick. 10mm)*

DESCRIZIONE <i>description</i>	L <i>w</i>	CODICE <i>code</i>	KG	M <sup>3</sup>	COLLI <i>PCS</i>	PREZZO <i>price</i>	(*) CODICE FINITURA <i>(*) finish code</i>	
ALLUNGHI DX O SX PIANO IN VETRO E GAMBA A PONTE <i>right or left extensions with glass top and bridge leg</i> 								
	<b>GAMBE VERNICIATE / painted legs</b>						★	
	L.100	153	<b>924 (*)</b>	24	0,082	3	€ 381,00	
								★ <b>GAMBE VERNICIATE / painted legs</b>
								(*) PIANO STRUTTURA top structure
								012 NERO ARGENTO black silver
								072 TORTORA ARGENTO grey beige silver
								074 ROSSO RUBINO ARGENTO ruby red silver
								079 BIANCO ARGENTO white silver
								412 NERO BIANCO black white
								472 TORTORA BIANCO grey beige white
								474 ROSSO RUBINO BIANCO ruby red white
								479 BIANCO BIANCO white white
								552 NERO ANTRACITE black anthracite
								554 ROSSO RUBINO ANTRACITE ruby red anthracite
								572 TORTORA ANTRACITE grey beige anthracite
								579 BIANCO ANTRACITE white anthracite
								812 NERO STONE GREY black stone grey
								872 TORTORA STONE GREY grey beige stone grey
								874 ROSSO RUBINO STONE GREY ruby red stone grey
							879 BIANCO STONE GREY white stone grey	
							○ <b>GAMBE CROMATE / chromed legs</b>	
							(*) PIANO STRUTTURA top structure	
							912 NERO CROMATO black chromed	
							974 ROSSO RUBINO CROMATO ruby red chromed	
							972 TORTORA CROMATO grey beige chromed	
							979 BIANCO CROMATO white chromed	
L. x p.60 x H.72,8								
ALLUNGHI DX O SX PIANO IN VETRO E GAMBA A "LOOP" <i>right or left extensions with glass top and "loop" leg</i> 								
	<b>GAMBE VERNICIATE / painted legs</b>						★	
	L.100	153	<b>925 (*)</b>	25	0,082	3	€ 431,00	
								★ <b>GAMBE VERNICIATE / painted legs</b>
								(*) PIANO STRUTTURA top structure
								012 NERO ARGENTO black silver
								072 TORTORA ARGENTO grey beige silver
								074 ROSSO RUBINO ARGENTO ruby red silver
								079 BIANCO ARGENTO white silver
								412 NERO BIANCO black white
								472 TORTORA BIANCO grey beige white
								474 ROSSO RUBINO BIANCO ruby red white
								479 BIANCO BIANCO white white
								552 NERO ANTRACITE black anthracite
								554 ROSSO RUBINO ANTRACITE ruby red anthracite
								572 TORTORA ANTRACITE grey beige anthracite
								579 BIANCO ANTRACITE white anthracite
								812 NERO STONE GREY black stone grey
								872 TORTORA STONE GREY grey beige stone grey
								874 ROSSO RUBINO STONE GREY ruby red stone grey
							879 BIANCO STONE GREY white stone grey	
							○ <b>GAMBE CROMATE / chromed legs</b>	
							(*) PIANO STRUTTURA top structure	
							912 NERO CROMATO black chromed	
							974 ROSSO RUBINO CROMATO ruby red chromed	
							972 TORTORA CROMATO grey beige chromed	
							979 BIANCO CROMATO white chromed	
L. x p.60 x H.72,8								



**SCHIENE PER SCRIVANIE DIREZIONALI CON PIANO IN VETRO***modesty panels for executive desks with glazed top*

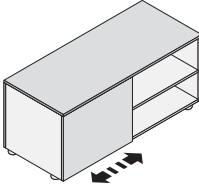
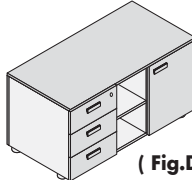
DESCRIZIONE <i>description</i>	L <i>w</i>	L <i>w</i>	CODICE <i>code</i>	KG 	M <sup>3</sup> 	COLLI 	PREZZO <i>price</i>	(*) CODICE FINITURA <i>(*) finish code</i>																											
SCHIENE PER SCRIVANIE DIREZIONALI CON PIANO IN VETRO <i>modesty panels for executive desks with glass top</i>    L. x p.1,8 x H.31,1	<table border="1"> <thead> <tr> <th>L. SCHIENA <i>w modesty</i></th> <th>UTILIZZARE SU PIANI <i>use for desktops</i></th> </tr> </thead> <tbody> <tr> <td>L.159</td> <td>L.180</td> </tr> <tr> <td>L.179</td> <td>L.200</td> </tr> </tbody> </table>		L. SCHIENA <i>w modesty</i>	UTILIZZARE SU PIANI <i>use for desktops</i>	L.159	L.180	L.179	L.200	<table border="1"> <thead> <tr> <th>(*)</th> <th>SCHIENA</th> <th><i>modesty panel</i></th> </tr> </thead> <tbody> <tr> <td>000</td> <td>ARGENTO GOLF</td> <td><i>golf silver</i></td> </tr> <tr> <td>400</td> <td>BIANCO BR.</td> <td><i>br. white</i></td> </tr> <tr> <td>551</td> <td>ANTRACITE</td> <td><i>anthracite</i></td> </tr> <tr> <td>844</td> <td>STONE GREY</td> <td><i>stone grey</i></td> </tr> </tbody> </table>		(*)	SCHIENA	<i>modesty panel</i>	000	ARGENTO GOLF	<i>golf silver</i>	400	BIANCO BR.	<i>br. white</i>	551	ANTRACITE	<i>anthracite</i>	844	STONE GREY	<i>stone grey</i>	<table border="1"> <thead> <tr> <th>PREZZO</th> <th>PREZZO</th> </tr> </thead> <tbody> <tr> <td>€ 34,00</td> <td>€ 34,00</td> </tr> <tr> <td>€ 35,00</td> <td>€ 35,00</td> </tr> </tbody> </table>		PREZZO	PREZZO	€ 34,00	€ 34,00	€ 35,00	€ 35,00		
	L. SCHIENA <i>w modesty</i>	UTILIZZARE SU PIANI <i>use for desktops</i>																																	
	L.159	L.180																																	
	L.179	L.200																																	
	(*)	SCHIENA	<i>modesty panel</i>																																
000	ARGENTO GOLF	<i>golf silver</i>																																	
400	BIANCO BR.	<i>br. white</i>																																	
551	ANTRACITE	<i>anthracite</i>																																	
844	STONE GREY	<i>stone grey</i>																																	
PREZZO	PREZZO																																		
€ 34,00	€ 34,00																																		
€ 35,00	€ 35,00																																		
 <b>UTILIZZARE SOLO SU SCRIVANIE CON PIANO IN VETRO</b> <i>use under desks with glass top</i>																																			
UTILIZZARE SOLO SU SCRIVANIE CON PIANO IN VETRO <i>use under desks with glass top</i>																																			
UTILIZZARE SOLO SU SCRIVANIE CON PIANO IN VETRO <i>use under desks with glass top</i>																																			
UTILIZZARE SOLO SU SCRIVANIE CON PIANO IN VETRO <i>use under desks with glass top</i>																																			
UTILIZZARE SOLO SU SCRIVANIE CON PIANO IN VETRO <i>use under desks with glass top</i>																																			



## MOBILI DI SERVIZIO SU PIEDINI

service units on adjustable feet

PER CASSETTIERE SU RUOTE VEDI PAG.74  
for pedestals on wheels, please see page 74

DESCRIZIONE description	CODICE code	KG	M <sup>3</sup>	COLLI	PREZZO price	(*) CODICE FINITURA (*) finish code
MOBILE DI SERVIZIO L.140 TERMINALE DX O SX CON ANTINA SCORREVOLE E VANO A GIORNO <i>right or left terminal service unit w 140 cms with            sliding door and open compartment</i>						
 L.140 x p.60 x H.61,5						
MOBILE DI SERVIZIO L.120 CON 3 CASSETTI, VANO A GIORNO E 1 ANTA CIECA <i>service unit w 120 cms with 3 drawers, open            compartment and 1 wooden door</i>						
 ( Fig.DX/right ) L.120 x p.52,5 x H.61,5						
VERSIONE MONO-COLORE / <i>single-color version</i>						
(*)						
000	ARGENTO GOLF	golf silver				
400	BIANCO BR.	br. white				
551	ANTRACITE	anthracite				
844	STONE GREY	stone grey				
VERSIONE BI-COLORE / <i>double-color version</i>						
(*)	FRONTALI + SCHIENA + TOP	STRUTTURA	fronts + back panel + top	structure		
003	ROVERE	ARGENTO GOLF	oak	golf silver		
004	ROVERE GREY	ARGENTO GOLF	grey oak	golf silver		
011	GIALLO FRESIA	ARGENTO GOLF	freesia yellow	golf silver		
032	AZZURRO SKY	ARGENTO GOLF	sky blue	golf silver		
033	AMARANTO	ARGENTO GOLF	amaranth	golf silver		
040	BIANCO BR.	ARGENTO GOLF	br. white	golf silver		
044	STONE GREY	ARGENTO GOLF	stone grey	golf silver		
051	ANTRACITE	ARGENTO GOLF	anthracite	golf silver		
066	NOCE PAVIA	ARGENTO GOLF	pavia walnut	golf silver		
090	WENGE'	ARGENTO GOLF	wengè	golf silver		
096	VERDE BOSCO	ARGENTO GOLF	wood green	golf silver		
403	ROVERE	BIANCO BR.	oak	br. white		
404	ROVERE GREY	BIANCO BR.	grey oak	br. white		
405	ARGENTO GOLF	BIANCO BR.	golf silver	br. white		
411	GIALLO FRESIA	BIANCO BR.	freesia yellow	br. white		
432	AZZURRO SKY	BIANCO BR.	sky blue	br. white		
433	AMARANTO	BIANCO BR.	amaranth	br. white		
444	STONE GREY	BIANCO BR.	stone grey	br. white		
451	ANTRACITE	BIANCO BR.	anthracite	br. white		
466	NOCE PAVIA	BIANCO BR.	pavia walnut	br. white		
490	WENGE'	BIANCO BR.	wengè	br. white		
496	VERDE BOSCO	BIANCO BR.	wood green	br. white		
503	ROVERE	ANTRACITE	oak	anthracite		
504	ROVERE GREY	ANTRACITE	grey oak	anthracite		
506	ARGENTO GOLF	ANTRACITE	golf silver	anthracite		
511	GIALLO FRESIA	ANTRACITE	freesia yellow	anthracite		
532	AZZURRO SKY	ANTRACITE	sky blue	anthracite		
533	AMARANTO	ANTRACITE	amaranth	anthracite		
541	BIANCO BR.	ANTRACITE	br. white	anthracite		
544	STONE GREY	ANTRACITE	stone grey	anthracite		
566	NOCE PAVIA	ANTRACITE	pavia walnut	anthracite		
591	WENGE'	ANTRACITE	wengè	anthracite		
596	VERDE BOSCO	ANTRACITE	wood green	anthracite		
803	ROVERE	STONE GREY	oak	stone grey		
804	ROVERE GREY	STONE GREY	grey oak	stone grey		
805	ARGENTO GOLF	STONE GREY	golf silver	stone grey		
811	GIALLO FRESIA	STONE GREY	freesia yellow	stone grey		
832	AZZURRO SKY	STONE GREY	sky blue	stone grey		
833	AMARANTO	STONE GREY	amaranth	stone grey		
840	BIANCO BR.	STONE GREY	br. white	stone grey		
851	ANTRACITE	STONE GREY	anthracite	stone grey		
866	NOCE PAVIA	STONE GREY	pavia walnut	stone grey		
890	WENGE'	STONE GREY	wengè	stone grey		
896	VERDE BOSCO	STONE GREY	wood green	stone grey		



# Bench

## • PANNELLI FRONTALI

MATERIALE: Pannello di particelle di legno sp. 25mm o metacrilato sp. 5 mm

FINITURA: Disponibile in 3 tipologie

1) Nobilitato in melaminico: Argento Golf, Bianco Br., Wengè, Noce Pavia, Stone grey, Rovere, Rovere grey, Antracite

2) Rivestito in tessuto: CREPE, MELANGE, STRETCH, TREVI, LANA, TAYLOR by Flukso, GO CHECK by Gabriel, RUNNER by Gabriel.

3) Metacrilato: bianco

CARATTERISTICA: Dotato di binario o barra attrezzabile per alloggiamento accessori.

## • FRONT PANELS

MATERIAL: Particleboard panel 25mm thick. or methacrylate 5mm thick.

FINISH: Available in 3 kinds:

1) Melamine-faced: Golf Silver, Br. White, Wengè, Pavia walnut, Stone grey, Oak, Grey oak, Anthracite  
2) Covered by fabrics: CREPE, MELANGE, STRETCH, TREVI, LANA, TAYLOR by Flukso, GO CHECK by Gabriel, RUNNER by Gabriel.

3) Methacrylate: White

FEATURE: Binary or aluminium toolbar included to hook-up the accessories.



## • MOBILI DI SERVIZIO E PORTA-CPU

MATERIALE: Pannello di particelle di legno sp. 18mm

FINITURA: Nobilitato in melaminico

COLORI:

Struttura: Argento Golf, Bianco Br., Antracite, Stone grey, Frontali, top e schiena: Antracite, Bianco Br., Wengè, Noce Pavia, Stone grey, Rovere, Rovere grey, Argento Golf, Giallo fresia, Azzurro sky, Amaranth, Verde bosco.

CARATTERISTICA: Consente l'alloggiamento del PC-Tower e il cablaggio tramite aperture sulla base. Dotato di piedini livellatori. Possibilità di utilizzo come freestanding.

## • SERVICE UNITS AND CPU-HOLDER

MATERIAL: Particleboard panel 18 mm thick.

FINISH: Melamine-faced

COLOURS:

Structure: Golf Silver, Br. White, Anthracite, Stone grey  
Fronts, top and back panel: Anthracite, Br. White, Wengè, Pavia walnut, Stone grey, Oak, Grey oak, Golf Silver, Freesia yellow, Sky blue, Amaranth, Wood green

FEATURE: It allows the PC-Tower lodging and the wire-manager through a bottom opening.

Adjustable feet included. The service units can be used as freestanding.

# 5<sup>TH</sup> ELEMENT

## • PIANI DI LAVORO

**MATERIALE:** Pannello di particelle di legno sp. 18mm (possibilità di utilizzo pannelli di sp. 25mm)  
**FINITURA:** Nobilitato in melaminico  
**COLORI:** Bianco Br., Wengè, Noce Pavia, Stone grey, Rovere, Rovere grey.

## • WORK TOPS

**MATERIAL:** Particleboard panel 18mm thick. (25mm thick tops available)  
**FINISH:** Melamine-faced  
**COLOURS:** Br. White, Wengè, Pavia walnut, Stone grey, Oak, Grey oak.



## • GAMBA METALLICA A PONTE

**MATERIALE:** Tubolare metallico a sezione trapezoidale  
**FINITURA:** Verniciatura a polveri epossidiche nei colori: Argento, Bianco, Antracite, Stone grey  
**CARATTERISTICA:** Predisposta per il fissaggio delle travi portanti. Dotata di piedini livellatori.

## • BRIDGE METAL LEG

**MATERIAL:** Metallic tubular with trapezoidal section  
**FINISH:** Painted with epoxy resin powder in colours: Silver, White, Anthracite  
**FEATURE:** The leg is predisposed for to fix the supporting beams. Adjustable feet included.



## • TRAVI DI SOSTEGNO

**MATERIALE:** Tubolare metallico a sezione rettangolare  
**FINITURA:** Verniciatura a polveri epossidiche nei colori Argento, Bianco, Antracite, Stone grey.  
**CARATTERISTICA:** Predisposte per il fissaggio delle gambe ponte e dei piani.

## • SUPPORTING BEAMS

**MATERIAL:** Metallic tubular with rectangular section  
**FINISH:** Painted with epoxy resin powder in colours Silver, White, Anthracite, Stone grey.  
**FEATURE:** The beams are predisposed for to fix the bridge legs and the work tops.



## • GAMBA CENTRALE WIRE-MANAGER

**MATERIALE:** Struttura in tubolare metallico e pannelli di tamponamento in lamiera metallica  
**FINITURA:** Verniciatura a polveri epossidiche nei colori: Argento, Bianco, Antracite, Stone grey  
**CARATTERISTICA:** Consente il cablaggio tramite aperture laterali.  
Dotata di pannelli laterali ispezionabili.  
Predisposta per il fissaggio delle travi portanti e dei piani. Dotata di piedini livellatori.

## • CENTRAL WIRE-MANAGER LEG

**MATERIAL:** Metallic tubular structure and panels in metal sheet.  
**FINISH:** Painted with epoxy resin powder in colours: Silver, White, Anthracite, Stone grey  
**FEATURE:** It allows the wire-manager through a lateral opening.  
The leg is predisposed for to fix the supporting beams and the work tops.  
Adjustable feet included.

## • MOBILI DI SERVIZIO

MATERIALE: Pannello di particelle di legno sp. 18mm

FINITURA: Nobilitato in melaminico

COLORI:

Struttura: Argento Golf, Bianco Br., Antracite, Stone grey.

Top e schiena: Antracite, Bianco Br., Wengè, Noce Pavia, Stone grey, Rovere, Rovere grey, Argento Golf, Giallo fresia, Azzurro sky, Amaranth, Verde bosco.

CARATTERISTICA: Consente l'alloggiamento del PC-Tower e il cablaggio tramite aperture sulla base. Dotato di piedini livellatori. Possibilità di utilizzo come freestanding.

### • SERVICE UNITS

MATERIAL: Particleboard panel 18 mm thick.

FINISH: Melamine-faced

COLOURS:

Structure: Golf Silver, Br. White, Anthracite, Stone grey

Top and back panel: Anthracite, Br. White, Wengè, Pavia walnut, Stone grey, Oak, Grey oak, Golf Silver, Freesia yellow, Sky blue, Amaranth, Wood green

FEATURE: It allows the PC-Tower lodging and the wire-manager through a bottom opening.

Adjustable feet included. The service units can be used as freestanding.



#### • MOBILI DI RACCORDO

MATERIALE: Pannello di particelle di legno sp. 18mm

FINITURA: Nobilitato in melaminico

COLORI:

Struttura: Argento Golf, Bianco Br., Antracite, Stone grey

CARATTERISTICA:

Consentono il raccordo con mobili di servizio e sono dotati di fori passacavi per consentire un facile cablaggio. Dotati di piedini livellatori.

#### • JOINING CABINETS

MATERIAL: Particleboard panel 18 mm thick.

FINISH: Melamine-faced

COLOURS:

Structure: Golf Silver, Br. White, Anthracite, Stone grey

FEATURE:

They allow the fitting with service furniture and are equipped with cable holes to allow easy wiring. Adjustable feet included.



#### • GAMBE INCLINATE A CAVALLETTO

MATERIALE: Tubolare metallico a sezione rettangolare

FINITURA: Verniciatura a polveri epossidiche nei colori Argento, Bianco, Antracite, Stone grey.

CARATTERISTICA: Predisposte per il fissaggio delle travi e delle penisole.

#### • GANTRIES LEGS

MATERIAL: Metallic tubular with rectangular section

FINISH: Painted with epoxy resin powder in colours Silver, White, Anthracite, Stone grey.

FEATURE: The legs are predisposed for to fix the beams and the terminals.

#### • PANNELLI FONOASSORBENTI

MATERIALE: Pannelli tipo MDF accoppiati, con uno spessore totale di 38mm, rivestiti in tessuto.

FINITURA: Rivestimento in vari tipi di tessuto: CREPE, STRETCH, MELANGE, TREVI, LANA, TAYLOR by Flukso, GO-CHECK by Gabriel, RUNNER by Gabriel.

CARATTERISTICA: Utilizzabili su barra in estruso di alluminio e come divisori su tavolo riunioni.

#### • SOUND-PROOFING PANELS

MATERIAL: wooden fibre panels coupled 38mm total thick., covered with fabric

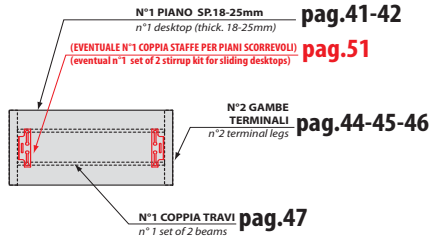
FINISH: Available with the following fabrics: CREPE, STRETCH, MELANGE, TREVI, LANA, TAYLOR by Flukso, GO-CHECK by Gabriel, RUNNER by Gabriel.

FEATURE: Can be used on extruded aluminum bars and as dividing panel for meeting table.

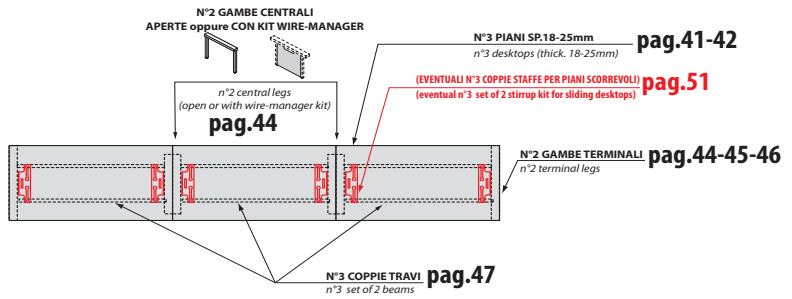


**ESEMPI DI AGGREGAZIONE SCRIVANIE CON GAMBE A PONTE E TIPO BENCH**  
*examples of composition desks with bridge metal legs and BENCH*

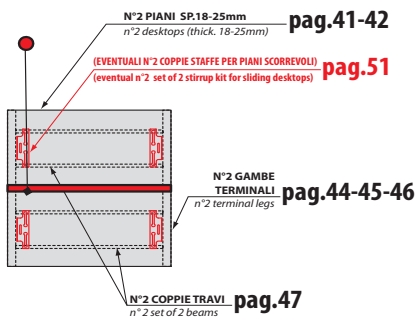
**BENCH (1 POSTAZIONE)**  
 bench (1 desk)



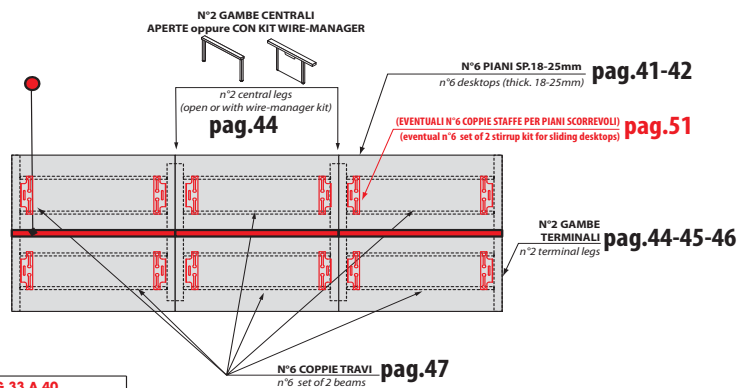
**BENCH (3 POSTAZIONI)**  
 bench (3 desk)



**BENCH (2 POSTAZIONI)**  
 bench (2 desk)

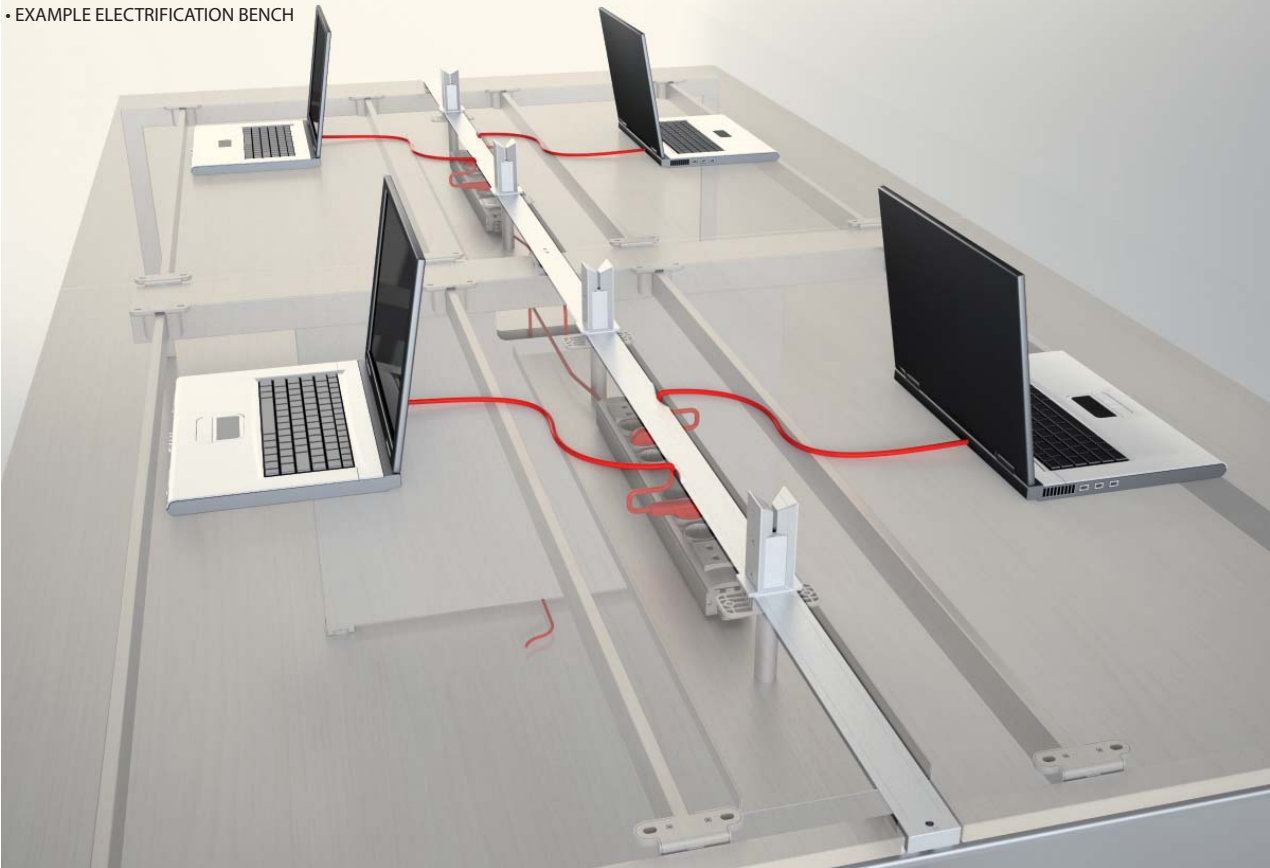


**BENCH (6 POSTAZIONI)**  
 bench (6 desk)


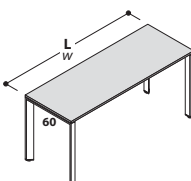
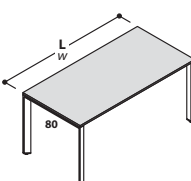
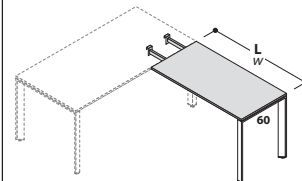
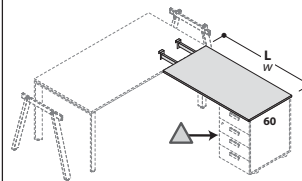
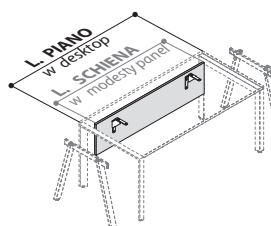


● PER COPERTURE CENTRALI e PANNELLI FRONTALI VEDI DA PAG.33 A 40  
 for central covers and front panels, please see pages from 33 to 40

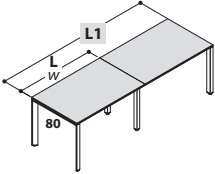
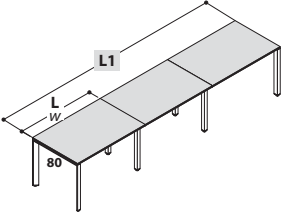
• **ESEMPIO ELETTRIFICAZIONE COMPLESSIVA DEL BENCH**  
 • **EXAMPLE ELECTRIFICATION BENCH**



**SCRIVANIE SINGOLE CON GAMBE METALLICHE A PONTE (PIANI SP. 18mm)**
*single desks with bridge metal legs (tops thick. 18mm)*

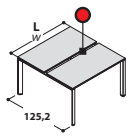
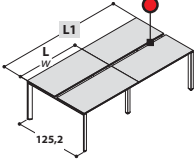
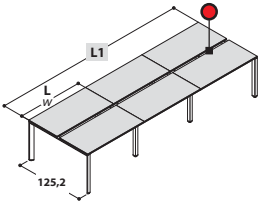
DESCRIZIONE <i>description</i>	L <i>w</i>	CODICE <i>code</i>	KG	M <sup>3</sup>	COLLI 	PREZZO <i>price</i>	(*) CODICE FINITURA <i>(*) finish code</i>					
SCRIVANIE PROF. CM 60 <i>desks depth 60 cms</i>    L. x p.60 x H.72,8	L.120	153 003 (*)	28	0,127	4	€ 304,00						
	L.140	153 004 (*)	30	0,136	4	€ 316,00						
	L.160	153 005 (*)	33	0,143	4	€ 329,00						
	L.180	153 006 (*)	36	0,148	4	€ 342,00						
SCRIVANIE PROF. CM 80 <i>desks depth 80 cms</i>    L. x p.80 x H.72,8	L.120	153 020 (*)	33	0,163	4	€ 335,00	(*)	PIANO	STRUTTURA	top	structure	
	L.140	153 021 (*)	34	0,173	4	€ 348,00	003	ROVERE	ARGENTO	oak	silver	
	L.160	153 022 (*)	37	0,182	4	€ 361,00	004	ROVERE GREY	ARGENTO	grey oak	silver	
	L.180	153 023 (*)	40	0,188	4	€ 378,00	040	BIANCO BR.	ARGENTO	br. white	silver	
								044	STONE GREY	ARGENTO	stone grey	silver
								066	NOCE PAVIA	ARGENTO	pavia walnut	silver
								090	WENGÉ'	ARGENTO	wengé	silver
								400	BIANCO BR.	BIANCO	br. white	white
								403	ROVERE	BIANCO	oak	white
								404	ROVERE GREY	BIANCO	grey oak	white
ALLUNGHI <i>extensions</i>    L. x p.60 x H.72,8	L.80	153 013 (*)	17	0,084	4	€ 236,00	444	STONE GREY	BIANCO	stone grey	white	
	L.100	153 014 (*)	20	0,094	4	€ 248,00	466	NOCE PAVIA	BIANCO	pavia walnut	white	
	L.120	153 010 (*)	24	0,102	4	€ 259,00	490	WENGÉ'	BIANCO	wengé	white	
								503	ROVERE	ANTRACITE	oak	anthracite
								504	ROVERE GREY	ANTRACITE	grey oak	anthracite
								541	BIANCO BR.	ANTRACITE	br. white	anthracite
								544	STONE GREY	ANTRACITE	stone grey	anthracite
								566	NOCE PAVIA	ANTRACITE	pavia walnut	anthracite
								591	WENGÉ'	ANTRACITE	wengé	anthracite
								803	ROVERE	STONE GREY	oak	stone grey
ALLUNGHI PER CASSETTIERA-BASE <i>extensions for base-pedestal</i>    L. x p.60 x H.1,8	L.80	153 018 (*)	9,5	0,045	3	€ 124,00	804	ROVERE GREY	STONE GREY	grey oak	stone grey	
	L.100	153 019 (*)	12	0,052	3	€ 133,00	840	BIANCO BR.	STONE GREY	br. white	stone grey	
	L.120	153 015 (*)	15	0,062	3	€ 136,00	844	STONE GREY	STONE GREY	stone grey	stone grey	
								866	NOCE PAVIA	STONE GREY	pavia walnut	stone grey
								890	WENGÉ'	STONE GREY	wengé	stone grey
								△ COMPLETARE SEMPRE CON CASSETTIERA-BASE ART.764-775 PAG. 76 <i>to be always complete with base-pedestal art.764-775 page 76</i>				
SCHIENE PER SCRIVANIE <i>modesty panels for desks</i>    L. x p.1,8 x H.30	L.107	L.120	152 473 (*)	7	0,020	2	€ 35,00					
	L.127	L.140	152 474 (*)	8	0,023	2	€ 37,00					
	L.147	L.160	152 476 (*)	9	0,026	2	€ 40,00					
	L.167	L.180	152 477 (*)	10	0,029	2	€ 43,00					
								(*)	SCHIENA	modesty panel		
							000	ARGENTO GOLF	golf silver			
							400	BIANCO BR.	br. white			
							551	ANTRACITE	anthracite			
							844	STONE GREY	stone grey			
							△ LE SCHIENE NON SONO UTILIZZABILI IN PRESENZA DI PANNELLI FRONTALI (pag.32) <i>DO NOT USE MODESTY PANEL TOGETHER WITH THE FRONT PANEL (PAGE 32)</i>					

**SCRIVANIE IN LINEA PROF.80 CON GAMBE A PONTE (PIANI SP. 18mm)***linear desks depth 80 cms with bridge legs (tops thick. 18mm)*

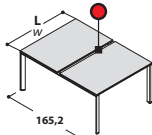
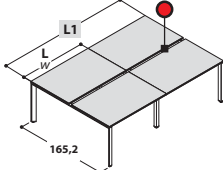
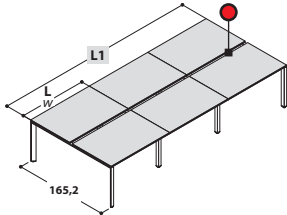
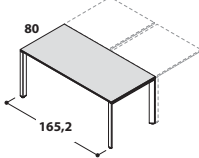
DESCRIZIONE <i>description</i>	L1	L <i>w</i>	CODICE <i>code</i>	KG	M <sup>3</sup>	COLLI	PREZZO <i>price</i>	(*) CODICE FINITURA <i>(*) finish code</i>																																																																																																																																		
<b>(2x) SCRIVANIE IN LINEA PROF. CM 80</b> <b>(2x) linear desks depth 80 cms</b>		<b>L1</b>	L.240	L.120	153 <b>025</b> (*)	57	0,288	7	€ 535,00																																																																																																																																	
			L.280	L.140	153 <b>026</b> (*)	59	0,308	7	€ 561,00																																																																																																																																	
			L.320	L.160	153 <b>027</b> (*)	65	0,326	7	€ 587,00																																																																																																																																	
			L.360	L.180	153 <b>028</b> (*)	71	0,340	7	€ 621,00																																																																																																																																	
			<b>PER KIT WIRE-MANAGER GAMBA CENTRALE, VEDI ART. 737 A PAG.44</b> <i>for wire-manager kit central leg, please see art.737 to page 44</i>																																																																																																																																							
			<table border="1"> <thead> <tr> <th>(*)</th> <th>PIANO</th> <th>STRUTTURA</th> <th>top</th> <th>structure</th> </tr> </thead> <tbody> <tr><td>003</td><td>ROVERE</td><td>ARGENTO</td><td>oak</td><td>silver</td></tr> <tr><td>004</td><td>ROVERE GREY</td><td>ARGENTO</td><td>grey oak</td><td>silver</td></tr> <tr><td>040</td><td>BIANCO BR.</td><td>ARGENTO</td><td>br. white</td><td>silver</td></tr> <tr><td>044</td><td>STONE GREY</td><td>ARGENTO</td><td>stone grey</td><td>silver</td></tr> <tr><td>066</td><td>NOCE PAVIA</td><td>ARGENTO</td><td>pavia walnut</td><td>silver</td></tr> <tr><td>090</td><td>WENGÈ</td><td>ARGENTO</td><td>wengè</td><td>silver</td></tr> <tr><td>400</td><td>BIANCO BR.</td><td>BIANCO</td><td>br. white</td><td>white</td></tr> <tr><td>403</td><td>ROVERE</td><td>BIANCO</td><td>oak</td><td>white</td></tr> <tr><td>404</td><td>ROVERE GREY</td><td>BIANCO</td><td>grey oak</td><td>white</td></tr> <tr><td>444</td><td>STONE GREY</td><td>BIANCO</td><td>stone grey</td><td>white</td></tr> <tr><td>466</td><td>NOCE PAVIA</td><td>BIANCO</td><td>pavia walnut</td><td>white</td></tr> <tr><td>490</td><td>WENGÈ</td><td>BIANCO</td><td>wengè</td><td>white</td></tr> <tr><td>503</td><td>ROVERE</td><td>ANTRACITE</td><td>oak</td><td>anthracite</td></tr> <tr><td>504</td><td>ROVERE GREY</td><td>ANTRACITE</td><td>grey oak</td><td>anthracite</td></tr> <tr><td>541</td><td>BIANCO BR.</td><td>ANTRACITE</td><td>br. white</td><td>anthracite</td></tr> <tr><td>544</td><td>STONE GREY</td><td>ANTRACITE</td><td>stone grey</td><td>anthracite</td></tr> <tr><td>566</td><td>NOCE PAVIA</td><td>ANTRACITE</td><td>pavia walnut</td><td>anthracite</td></tr> <tr><td>591</td><td>WENGÈ</td><td>ANTRACITE</td><td>wengè</td><td>anthracite</td></tr> <tr><td>803</td><td>ROVERE</td><td>STONE GREY</td><td>oak</td><td>stone grey</td></tr> <tr><td>804</td><td>ROVERE GREY</td><td>STONE GREY</td><td>grey oak</td><td>stone grey</td></tr> <tr><td>840</td><td>BIANCO BR.</td><td>STONE GREY</td><td>br. white</td><td>stone grey</td></tr> <tr><td>844</td><td>STONE GREY</td><td>STONE GREY</td><td>stone grey</td><td>stone grey</td></tr> <tr><td>866</td><td>NOCE PAVIA</td><td>STONE GREY</td><td>pavia walnut</td><td>stone grey</td></tr> <tr><td>890</td><td>WENGÈ</td><td>STONE GREY</td><td>wengè</td><td>stone grey</td></tr> </tbody> </table>											(*)	PIANO	STRUTTURA	top	structure	003	ROVERE	ARGENTO	oak	silver	004	ROVERE GREY	ARGENTO	grey oak	silver	040	BIANCO BR.	ARGENTO	br. white	silver	044	STONE GREY	ARGENTO	stone grey	silver	066	NOCE PAVIA	ARGENTO	pavia walnut	silver	090	WENGÈ	ARGENTO	wengè	silver	400	BIANCO BR.	BIANCO	br. white	white	403	ROVERE	BIANCO	oak	white	404	ROVERE GREY	BIANCO	grey oak	white	444	STONE GREY	BIANCO	stone grey	white	466	NOCE PAVIA	BIANCO	pavia walnut	white	490	WENGÈ	BIANCO	wengè	white	503	ROVERE	ANTRACITE	oak	anthracite	504	ROVERE GREY	ANTRACITE	grey oak	anthracite	541	BIANCO BR.	ANTRACITE	br. white	anthracite	544	STONE GREY	ANTRACITE	stone grey	anthracite	566	NOCE PAVIA	ANTRACITE	pavia walnut	anthracite	591	WENGÈ	ANTRACITE	wengè	anthracite	803	ROVERE	STONE GREY	oak	stone grey	804	ROVERE GREY	STONE GREY	grey oak	stone grey	840	BIANCO BR.	STONE GREY	br. white	stone grey	844	STONE GREY	STONE GREY	stone grey	stone grey	866	NOCE PAVIA	STONE GREY	pavia walnut	stone grey	890	WENGÈ	STONE GREY	wengè	stone grey
			(*)	PIANO	STRUTTURA	top	structure																																																																																																																																			
			003	ROVERE	ARGENTO	oak	silver																																																																																																																																			
			004	ROVERE GREY	ARGENTO	grey oak	silver																																																																																																																																			
			040	BIANCO BR.	ARGENTO	br. white	silver																																																																																																																																			
044	STONE GREY	ARGENTO	stone grey	silver																																																																																																																																						
066	NOCE PAVIA	ARGENTO	pavia walnut	silver																																																																																																																																						
090	WENGÈ	ARGENTO	wengè	silver																																																																																																																																						
400	BIANCO BR.	BIANCO	br. white	white																																																																																																																																						
403	ROVERE	BIANCO	oak	white																																																																																																																																						
404	ROVERE GREY	BIANCO	grey oak	white																																																																																																																																						
444	STONE GREY	BIANCO	stone grey	white																																																																																																																																						
466	NOCE PAVIA	BIANCO	pavia walnut	white																																																																																																																																						
490	WENGÈ	BIANCO	wengè	white																																																																																																																																						
503	ROVERE	ANTRACITE	oak	anthracite																																																																																																																																						
504	ROVERE GREY	ANTRACITE	grey oak	anthracite																																																																																																																																						
541	BIANCO BR.	ANTRACITE	br. white	anthracite																																																																																																																																						
544	STONE GREY	ANTRACITE	stone grey	anthracite																																																																																																																																						
566	NOCE PAVIA	ANTRACITE	pavia walnut	anthracite																																																																																																																																						
591	WENGÈ	ANTRACITE	wengè	anthracite																																																																																																																																						
803	ROVERE	STONE GREY	oak	stone grey																																																																																																																																						
804	ROVERE GREY	STONE GREY	grey oak	stone grey																																																																																																																																						
840	BIANCO BR.	STONE GREY	br. white	stone grey																																																																																																																																						
844	STONE GREY	STONE GREY	stone grey	stone grey																																																																																																																																						
866	NOCE PAVIA	STONE GREY	pavia walnut	stone grey																																																																																																																																						
890	WENGÈ	STONE GREY	wengè	stone grey																																																																																																																																						
<b>(3x) SCRIVANIE IN LINEA PROF. CM 80</b> <b>(3x) linear desks depth 80 cms</b>		<b>L1</b>	L.360	L.120	153 <b>035</b> (*)	81	0,414	10	€ 735,00																																																																																																																																	
			L.420	L.140	153 <b>036</b> (*)	84	0,444	10	€ 774,00																																																																																																																																	
			L.480	L.160	153 <b>037</b> (*)	93	0,471	10	€ 813,00																																																																																																																																	
			L.540	L.180	153 <b>038</b> (*)	102	0,491	10	€ 864,00																																																																																																																																	
			<b>PER KIT WIRE-MANAGER GAMBA CENTRALE, VEDI ART. 737 A PAG.44</b> <i>for wire-manager kit central leg, please see art.737 to page 44</i>																																																																																																																																							
			<table border="1"> <thead> <tr> <th>(*)</th> <th>PIANO</th> <th>STRUTTURA</th> <th>top</th> <th>structure</th> </tr> </thead> <tbody> <tr><td>003</td><td>ROVERE</td><td>ARGENTO</td><td>oak</td><td>silver</td></tr> <tr><td>004</td><td>ROVERE GREY</td><td>ARGENTO</td><td>grey oak</td><td>silver</td></tr> <tr><td>040</td><td>BIANCO BR.</td><td>ARGENTO</td><td>br. white</td><td>silver</td></tr> <tr><td>044</td><td>STONE GREY</td><td>ARGENTO</td><td>stone grey</td><td>silver</td></tr> <tr><td>066</td><td>NOCE PAVIA</td><td>ARGENTO</td><td>pavia walnut</td><td>silver</td></tr> <tr><td>090</td><td>WENGÈ</td><td>ARGENTO</td><td>wengè</td><td>silver</td></tr> <tr><td>400</td><td>BIANCO BR.</td><td>BIANCO</td><td>br. white</td><td>white</td></tr> <tr><td>403</td><td>ROVERE</td><td>BIANCO</td><td>oak</td><td>white</td></tr> <tr><td>404</td><td>ROVERE GREY</td><td>BIANCO</td><td>grey oak</td><td>white</td></tr> <tr><td>444</td><td>STONE GREY</td><td>BIANCO</td><td>stone grey</td><td>white</td></tr> <tr><td>466</td><td>NOCE PAVIA</td><td>BIANCO</td><td>pavia walnut</td><td>white</td></tr> <tr><td>490</td><td>WENGÈ</td><td>BIANCO</td><td>wengè</td><td>white</td></tr> <tr><td>503</td><td>ROVERE</td><td>ANTRACITE</td><td>oak</td><td>anthracite</td></tr> <tr><td>504</td><td>ROVERE GREY</td><td>ANTRACITE</td><td>grey oak</td><td>anthracite</td></tr> <tr><td>541</td><td>BIANCO BR.</td><td>ANTRACITE</td><td>br. white</td><td>anthracite</td></tr> <tr><td>544</td><td>STONE GREY</td><td>ANTRACITE</td><td>stone grey</td><td>anthracite</td></tr> <tr><td>566</td><td>NOCE PAVIA</td><td>ANTRACITE</td><td>pavia walnut</td><td>anthracite</td></tr> <tr><td>591</td><td>WENGÈ</td><td>ANTRACITE</td><td>wengè</td><td>anthracite</td></tr> <tr><td>803</td><td>ROVERE</td><td>STONE GREY</td><td>oak</td><td>stone grey</td></tr> <tr><td>804</td><td>ROVERE GREY</td><td>STONE GREY</td><td>grey oak</td><td>stone grey</td></tr> <tr><td>840</td><td>BIANCO BR.</td><td>STONE GREY</td><td>br. white</td><td>stone grey</td></tr> <tr><td>844</td><td>STONE GREY</td><td>STONE GREY</td><td>stone grey</td><td>stone grey</td></tr> <tr><td>866</td><td>NOCE PAVIA</td><td>STONE GREY</td><td>pavia walnut</td><td>stone grey</td></tr> <tr><td>890</td><td>WENGÈ</td><td>STONE GREY</td><td>wengè</td><td>stone grey</td></tr> </tbody> </table>											(*)	PIANO	STRUTTURA	top	structure	003	ROVERE	ARGENTO	oak	silver	004	ROVERE GREY	ARGENTO	grey oak	silver	040	BIANCO BR.	ARGENTO	br. white	silver	044	STONE GREY	ARGENTO	stone grey	silver	066	NOCE PAVIA	ARGENTO	pavia walnut	silver	090	WENGÈ	ARGENTO	wengè	silver	400	BIANCO BR.	BIANCO	br. white	white	403	ROVERE	BIANCO	oak	white	404	ROVERE GREY	BIANCO	grey oak	white	444	STONE GREY	BIANCO	stone grey	white	466	NOCE PAVIA	BIANCO	pavia walnut	white	490	WENGÈ	BIANCO	wengè	white	503	ROVERE	ANTRACITE	oak	anthracite	504	ROVERE GREY	ANTRACITE	grey oak	anthracite	541	BIANCO BR.	ANTRACITE	br. white	anthracite	544	STONE GREY	ANTRACITE	stone grey	anthracite	566	NOCE PAVIA	ANTRACITE	pavia walnut	anthracite	591	WENGÈ	ANTRACITE	wengè	anthracite	803	ROVERE	STONE GREY	oak	stone grey	804	ROVERE GREY	STONE GREY	grey oak	stone grey	840	BIANCO BR.	STONE GREY	br. white	stone grey	844	STONE GREY	STONE GREY	stone grey	stone grey	866	NOCE PAVIA	STONE GREY	pavia walnut	stone grey	890	WENGÈ	STONE GREY	wengè	stone grey
(*)	PIANO	STRUTTURA	top	structure																																																																																																																																						
003	ROVERE	ARGENTO	oak	silver																																																																																																																																						
004	ROVERE GREY	ARGENTO	grey oak	silver																																																																																																																																						
040	BIANCO BR.	ARGENTO	br. white	silver																																																																																																																																						
044	STONE GREY	ARGENTO	stone grey	silver																																																																																																																																						
066	NOCE PAVIA	ARGENTO	pavia walnut	silver																																																																																																																																						
090	WENGÈ	ARGENTO	wengè	silver																																																																																																																																						
400	BIANCO BR.	BIANCO	br. white	white																																																																																																																																						
403	ROVERE	BIANCO	oak	white																																																																																																																																						
404	ROVERE GREY	BIANCO	grey oak	white																																																																																																																																						
444	STONE GREY	BIANCO	stone grey	white																																																																																																																																						
466	NOCE PAVIA	BIANCO	pavia walnut	white																																																																																																																																						
490	WENGÈ	BIANCO	wengè	white																																																																																																																																						
503	ROVERE	ANTRACITE	oak	anthracite																																																																																																																																						
504	ROVERE GREY	ANTRACITE	grey oak	anthracite																																																																																																																																						
541	BIANCO BR.	ANTRACITE	br. white	anthracite																																																																																																																																						
544	STONE GREY	ANTRACITE	stone grey	anthracite																																																																																																																																						
566	NOCE PAVIA	ANTRACITE	pavia walnut	anthracite																																																																																																																																						
591	WENGÈ	ANTRACITE	wengè	anthracite																																																																																																																																						
803	ROVERE	STONE GREY	oak	stone grey																																																																																																																																						
804	ROVERE GREY	STONE GREY	grey oak	stone grey																																																																																																																																						
840	BIANCO BR.	STONE GREY	br. white	stone grey																																																																																																																																						
844	STONE GREY	STONE GREY	stone grey	stone grey																																																																																																																																						
866	NOCE PAVIA	STONE GREY	pavia walnut	stone grey																																																																																																																																						
890	WENGÈ	STONE GREY	wengè	stone grey																																																																																																																																						
<b>L1 x p.80 x H.72,8</b>																																																																																																																																										
<b>L1 x p.80 x H.72,8</b>																																																																																																																																										



**BENCH PROF.125,2 (PIANI SP. 18mm)**  
bench depth 125,2 cms (tops thick. 18mm)

DESCRIZIONE description	L1	L w	CODICE code	KG	M <sup>3</sup>	COLLI	PREZZO price	(*) CODICE FINITURA (*) finish code				
BENCH PROF. CM 125,2 bench depth 125,2 cms    L. x p.125,2 x H.72,8		L.120	153 055 (*)	50	0,261	6	€ 480,00					
		L.140	153 056 (*)	54	0,277	6	€ 504,00					
		L.160	153 057 (*)	60	0,292	6	€ 530,00					
		L.180	153 058 (*)	66	0,302	6	€ 556,00					
BENCH PROF. CM 125,2 bench depth 125,2 cms    L1 x p.125,2 x H.72,8	L1											
		L.120	153 060 (*)	89	0,476	11	€ 810,00					
		L.140	153 061 (*)	97	0,509	11	€ 858,00					
		L.160	153 062 (*)	109	0,539	11	€ 910,00					
		L.180	153 063 (*)	121	0,559	11	€ 962,00					
	PER KIT WIRE-MANAGER GAMBA CENTRALE, VEDI ART. 738 A PAG.44 for wire-manager kit central leg, please see art.738 to page 44											
BENCH PROF. CM 125,2 bench depth 125,2 cms    L1 x p.125,2 x H.72,8	L1											
		L.120	153 070 (*)	128	0,691	16	€ 1.140,00					
		L.140	153 071 (*)	140	0,741	16	€ 1.212,00					
		L.160	153 072 (*)	158	0,786	16	€ 1.290,00					
		L.180	153 073 (*)	176	0,816	16	€ 1.368,00					
	PER KIT WIRE-MANAGER GAMBA CENTRALE, VEDI ART. 738 A PAG.44 for wire-manager kit central leg, please see art.738 to page 44											

**BENCH PROF.165,2 (PIANI SP. 18mm)**  
bench depth 165,2 cms (tops thick. 18mm)

DESCRIZIONE description	L1	L w	CODICE code	KG	M <sup>3</sup>	COLLI	PREZZO price	(*) CODICE FINITURA (*) finish code				
BENCH PROF. CM 165,2 bench depth 165,2 cms    L. x p.165,2 x H.72,8		L.120	153 090 (*)	60	0,323	6	€ 550,00					
		L.140	153 091 (*)	62	0,343	6	€ 576,00					
		L.160	153 092 (*)	68	0,361	6	€ 602,00					
		L.180	153 093 (*)	74	0,374	6	€ 636,00					
BENCH PROF. CM 165,2 bench depth 165,2 cms    L1 x p.165,2 x H.72,8	L1											
		L.120	153 140 (*)	109	0,599	11	€ 916,00					
		L.140	153 141 (*)	113	0,639	11	€ 968,00					
		L.160	153 142 (*)	125	0,675	11	€ 1.020,00					
		L.180	153 143 (*)	137	0,701	11	€ 1.088,00					
	PER KIT WIRE-MANAGER GAMBA CENTRALE, VEDI ART. 739 A PAG.44 for wire-manager kit central leg, please see art.739 to page 44											
BENCH PROF. CM 165,2 bench depth 165,2 cms    L1 x p.165,2 x H.72,8	L1											
		L.120	153 150 (*)	158	0,875	16	€ 1.282,00					
		L.140	153 151 (*)	164	0,935	16	€ 1.360,00					
		L.160	153 152 (*)	182	0,989	16	€ 1.438,00					
		L.180	153 153 (*)	200	1,029	16	€ 1.540,00					
	PER KIT WIRE-MANAGER GAMBA CENTRALE, VEDI ART. 739 A PAG.44 for wire-manager kit central leg, please see art.739 to page 44											
SCRIVANIA TERMINALE PER BENCH PROF. CM 80+80 terminal desk for bench depth 165,2 cms    L. 165,2 x p.80 x H.72,8		L.165,2	153 169 (*)	36	0,186	4	€ 372,00					



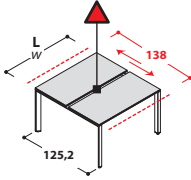
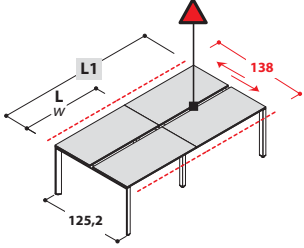


ATTENZIONE! PER PANNELLI FRONTALI E BARRE ATTREZZABILI VEDI DA PAG. 33 A 40  
Attention! For front panels and toolbars, please see pages from 33 to 40

5<sup>th</sup> ELEMENT

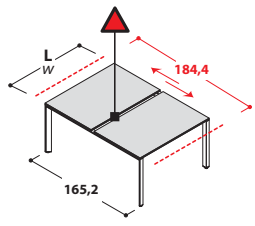
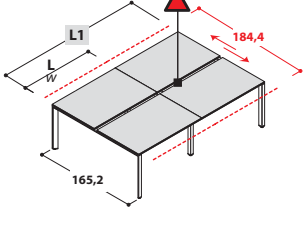
### BENCH PROF.125,2 CON PIANI SCORREVOLI (PIANI SP. 18mm)

bench depth 125,2 cms with sliding worktops (tops thick. 18mm)

DESCRIZIONE description	L1	L w	CODICE code	KG	M <sup>3</sup>	COLLI	PREZZO price	(*) CODICE FINITURA (*) finish code					
BENCH PROF. CM 125,2 <b>CON PIANI SCORREVOLI</b> bench depth 125,2 cms with sliding worktops  L. x p.125,2-138 x H.72,8		L.120	153 760 (*)	54	0,267	8	€ 590,00						
		L.140	153 761 (*)	58	0,283	8	€ 614,00	003	ROVERE	ARGENTO	oak	silver	
		L.160	153 762 (*)	64	0,298	8	€ 640,00	004	ROVERE GREY	ARGENTO	grey oak	silver	
		L.180	153 763 (*)	70	0,308	8	€ 666,00	040	BIANCO BR.	ARGENTO	br. white	silver	
								044	STONE GREY	ARGENTO	stone grey	silver	
BENCH PROF. CM 125,2 <b>CON PIANI SCORREVOLI</b> bench depth 125,2 cms with sliding worktops  L1 x p.125,2-138 x H.72,8		L.120	153 765 (*)	97	0,488	15	€ 1.030,00	066	NOCE PAVIA	ARGENTO	pavia walnut	silver	
		L.140	153 766 (*)	105	0,521	15	€ 1.078,00	090	WENGÈ	ARGENTO	wengè	silver	
		L.160	153 767 (*)	117	0,551	15	€ 1.130,00	400	BIANCO BR.	BIANCO	br. white	white	
		L.180	153 768 (*)	129	0,571	15	€ 1.182,00	403	ROVERE	BIANCO	oak	white	
								404	ROVERE GREY	BIANCO	grey oak	white	
								444	STONE GREY	BIANCO	stone grey	white	
								466	NOCE PAVIA	BIANCO	pavia walnut	white	
								490	WENGÈ	BIANCO	wengè	white	
								503	ROVERE	ANTRACITE	oak	anthracite	
								504	ROVERE GREY	ANTRACITE	grey oak	anthracite	
								541	BIANCO BR.	ANTRACITE	br. white	anthracite	
								544	STONE GREY	ANTRACITE	stone grey	anthracite	
								566	NOCE PAVIA	ANTRACITE	pavia walnut	anthracite	
								591	WENGÈ	ANTRACITE	wengè	anthracite	
								803	ROVERE	STONE GREY	oak	stone grey	
							804	ROVERE GREY	STONE GREY	grey oak	stone grey		
							840	BIANCO BR.	STONE GREY	br. white	stone grey		
							844	STONE GREY	STONE GREY	stone grey	stone grey		
							866	NOCE PAVIA	STONE GREY	pavia walnut	stone grey		
							890	WENGÈ	STONE GREY	wengè	stone grey		
PER KIT WIRE-MANAGER GAMBA CENTRALE, VEDI ART. 738 A PAG.44 for wire-manager kit central leg, please see art.738 to page 44													

### BENCH PROF.165,2 CON PIANI SCORREVOLI (PIANI SP. 18mm)

bench depth 165,2 cms with sliding worktops (tops thick. 18mm)

BENCH PROF. CM 165,2 <b>CON PIANI SCORREVOLI</b> bench depth 165,2 cms with sliding worktops  L. x p.165,2-184,4 x H.72,8		L.120	153 774 (*)	64	0,334	8	€ 686,00						
		L.140	153 775 (*)	66	0,354	8	€ 712,00	003	ROVERE	ARGENTO	oak	silver	
		L.160	153 776 (*)	72	0,372	8	€ 738,00	004	ROVERE GREY	ARGENTO	grey oak	silver	
		L.180	153 777 (*)	78	0,385	8	€ 772,00	040	BIANCO BR.	ARGENTO	br. white	silver	
								044	STONE GREY	ARGENTO	stone grey	silver	
BENCH PROF. CM 165,2 <b>CON PIANI SCORREVOLI</b> bench depth 165,2 cms with sliding worktops  L1 x p.165,2-184,4 x H.72,8		L.120	153 778 (*)	117	0,621	15	€ 1.188,00	066	NOCE PAVIA	ARGENTO	pavia walnut	silver	
		L.140	153 779 (*)	121	0,661	15	€ 1.240,00	090	WENGÈ	ARGENTO	wengè	silver	
		L.160	153 780 (*)	133	0,697	15	€ 1.292,00	400	BIANCO BR.	BIANCO	br. white	white	
		L.180	153 781 (*)	145	0,724	15	€ 1.360,00	403	ROVERE	BIANCO	oak	white	
								404	ROVERE GREY	BIANCO	grey oak	white	
								444	STONE GREY	BIANCO	stone grey	white	
								466	NOCE PAVIA	BIANCO	pavia walnut	white	
								490	WENGÈ	BIANCO	wengè	white	
								503	ROVERE	ANTRACITE	oak	anthracite	
								504	ROVERE GREY	ANTRACITE	grey oak	anthracite	
								541	BIANCO BR.	ANTRACITE	br. white	anthracite	
								544	STONE GREY	ANTRACITE	stone grey	anthracite	
								566	NOCE PAVIA	ANTRACITE	pavia walnut	anthracite	
								591	WENGÈ	ANTRACITE	wengè	anthracite	
								803	ROVERE	STONE GREY	oak	stone grey	
							804	ROVERE GREY	STONE GREY	grey oak	stone grey		
							840	BIANCO BR.	STONE GREY	br. white	stone grey		
							844	STONE GREY	STONE GREY	stone grey	stone grey		
							866	NOCE PAVIA	STONE GREY	pavia walnut	stone grey		
							890	WENGÈ	STONE GREY	wengè	stone grey		
PER KIT WIRE-MANAGER GAMBA CENTRALE, VEDI ART. 739 A PAG.44 for wire-manager kit central leg, please see art.739 to page 44													



**SCRIVANIE CON GAMBA A PONTE (PIANI SP. 18mm)**

desks with bridge leg (tops thick. 18mm)

DESCRIZIONE description	L w	CODICE code	KG	M <sup>3</sup>	COLLI PCS	PREZZO price	(*) CODICE FINITURA (*) finish code	
SCRIVANIE PROF. CM 60 PER PORTA-CPU (CON TRAVI E STAFFE IN DOTAZIONE) desks depth 60 cms for CPU-holder (with beams and stirrups)	L.120	153 190 (*)	22	0,087	4	€ 229,00	(*)	PIANO STRUTTURA top structure
	L.140	153 191 (*)	24	0,097	4	€ 242,00	003	ROVERE ARGENTO oak silver
	L.160	153 192 (*)	27	0,105	4	€ 254,00	004	ROVERE GREY ARGENTO grey oak silver
	L.180	153 193 (*)	30	0,113	4	€ 266,00	040	BIANCO BR. ARGENTO br. white silver
							044	STONE GREY ARGENTO stone grey silver
DA UTILIZZARE CON MOBILI DI SERVIZIO O PORTA-CPU DI PAG.66 (VEDI ESEMPI A PAGINA SEGUENTE) use with service units or cpu-holder of page 66 (please, you see examples on the next page)								
L. x p.60 x H.72,8								
SCRIVANIE PROF. CM 80 PER PORTA-CPU (CON TRAVI E STAFFE IN DOTAZIONE) desks depth 80 cms for CPU-holder (with beams and stirrups)	L.120	153 195 (*)	26	0,109	4	€ 250,00	066	NOCE PAVIA ARGENTO pavia walnut silver
	L.140	153 196 (*)	27	0,121	4	€ 264,00	090	WENGÉ' ARGENTO wengé silver
	L.160	153 197 (*)	30	0,131	4	€ 276,00	400	BIANCO BR. BIANCO br. white white
	L.180	153 198 (*)	33	0,140	4	€ 292,00	403	ROVERE BIANCO oak white
							404	ROVERE GREY BIANCO grey oak white
DA UTILIZZARE CON MOBILI DI SERVIZIO O PORTA-CPU DI PAG.66 (VEDI ESEMPI A PAGINA SEGUENTE) use with service units or cpu-holder of page 66 (please, you see examples on the next page)								
L. x p.80 x H.72,8								

**BENCH CON GAMBA A PONTE (PIANI SP. 18mm)**

bench with bridge leg (tops thick. 18mm)

BENCH PROF. CM 125,2 PER PORTA-CPU (CON TRAVI E STAFFE IN DOTAZIONE) bench 60+60 cms for CPU-holder (with beams and stirrups)	L.140	153 212 (*)	45	0,197	7	€ 420,00	(*)	PIANO STRUTTURA top structure
	L.160	153 213 (*)	51	0,213	7	€ 444,00	003	ROVERE ARGENTO oak silver
	L.180	153 214 (*)	57	0,228	7	€ 468,00	004	ROVERE GREY ARGENTO grey oak silver
							040	BIANCO BR. ARGENTO br. white silver
DA UTILIZZARE CON MOBILI DI SERVIZIO O PORTA-CPU DI PAG.66 (VEDI ESEMPI A PAGINA SEGUENTE) use with service units or cpu-holder of page 66 (please, you see examples on the next page)								
L. x p.125,2 x H.72,8								
BENCH PROF. CM 165,2 PER PORTA-CPU (CON TRAVI E STAFFE IN DOTAZIONE) bench depth 165,2 cms for CPU-holder (with beams and stirrups)	L.140	153 216 (*)	51	0,241	7	€ 468,00	066	NOCE PAVIA ARGENTO pavia walnut silver
	L.160	153 217 (*)	57	0,261	7	€ 492,00	090	WENGÉ' ARGENTO wengé silver
	L.180	153 218 (*)	63	0,279	7	€ 524,00	400	BIANCO BR. BIANCO br. white white
							403	ROVERE BIANCO oak white
DA UTILIZZARE CON MOBILI DI SERVIZIO O PORTA-CPU DI PAG.66 (VEDI ESEMPI A PAGINA SEGUENTE) use with service units or cpu-holder of page 66 (please, you see examples on the next page)								
L. x p.165,2 x H.72,8								

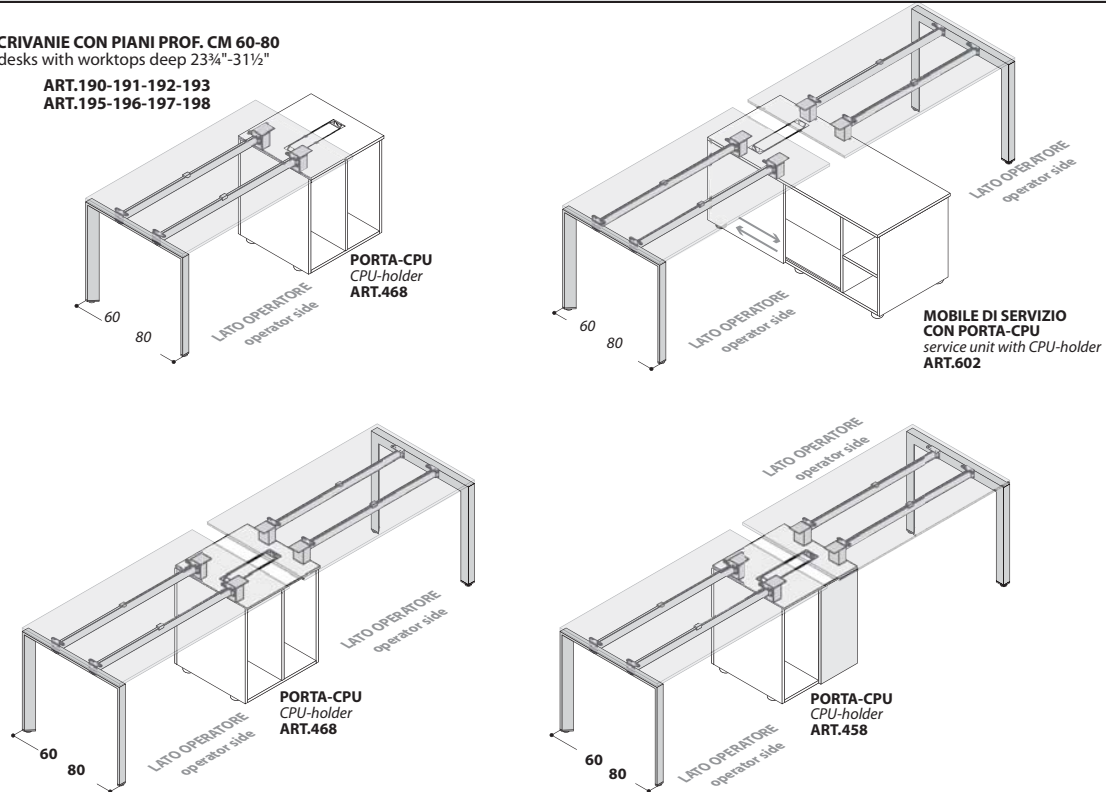


**ESEMPI DI UTILIZZO SCRIVANIE CON GAMBE A PONTE PER PORTA-CPU (a pag.66)**

examples of using desks with bridge legs for CPU-holder (to page 66)

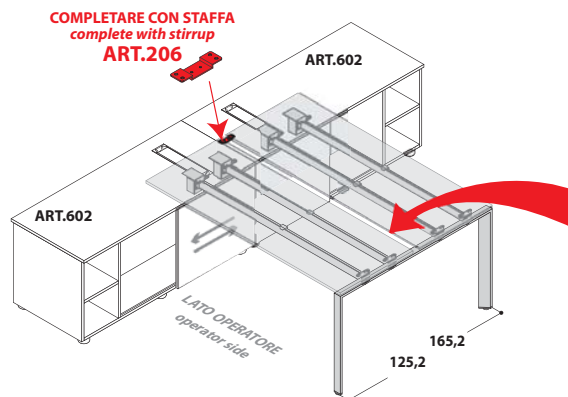
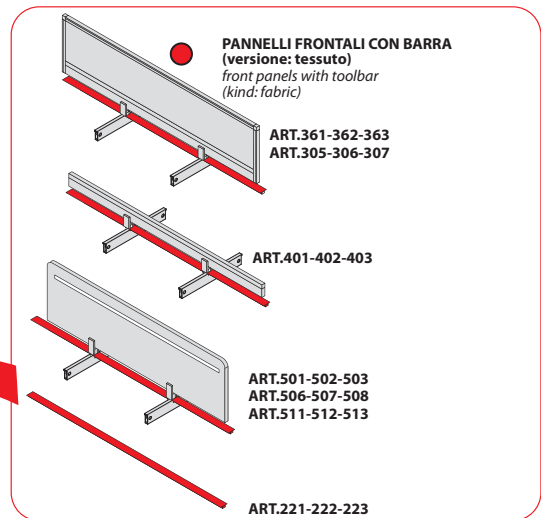
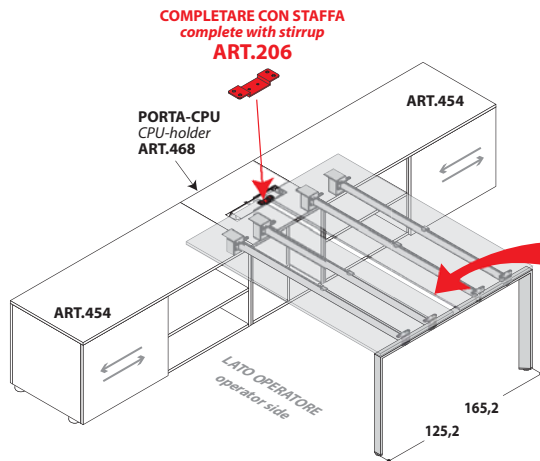
**SCRIVANIE CON PIANI PROF. CM 60-80**  
 desks with worktops deep 23¾"-31½"

ART.190-191-192-193  
 ART.195-196-197-198



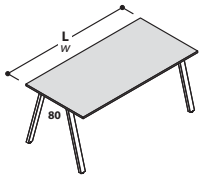
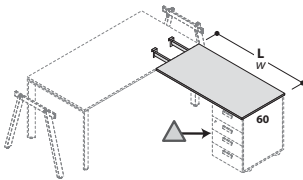
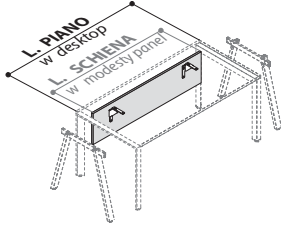
**BENCH CON PIANI PROF. CM 60-80**  
 BENCH with worktops deep 23¾"-31½"

ART.212-213-214  
 ART.216-217-218



**SCRIVANIE SINGOLE CON CAVALLETTI (PIANI SP. 18mm)**

single desks with gantries legs (tops thick. 18mm)

DESCRIZIONE description	L w	CODICE code	KG	M <sup>3</sup>	COLLI	PREZZO price	(*) CODICE FINITURA (*) finish code		
							PIANO top	STRUTTURA structure	
<b>SCRIVANIE PROF. CM 80</b> desks depth 80 cms    L. x p.80 x H.72,8	L.120	173 <b>251</b> (*)	35	0,153	4	€ 335,00			
	L.140	173 <b>252</b> (*)	36	0,163	4	€ 348,00			
	L.160	173 <b>253</b> (*)	39	0,172	4	€ 361,00			
	L.180	173 <b>254</b> (*)	42	0,179	4	€ 378,00			
<b>ALLUNGHI PER CASSETTIERA-BASE</b> extensions for base-pedestal    L. x p.60 x H.1,8	L.80	153 <b>018</b> (*)	9,5	0,045	3	€ 124,00			
	L.100	153 <b>019</b> (*)	12	0,052	3	€ 133,00			
	L.120	153 <b>015</b> (*)	15	0,062	3	€ 136,00			
	▲ <b>COMPLETARE SEMPRE CON CASSETTIERA-BASE ART.764-775 PAG. 76</b> to be always complete with base-pedestal art.764-775 page 76								
	<b>SCHIENE PER SCRIVANIE</b> modesty panels for desks    L. x p.1,8 x H.30	L.107	L.120	152 <b>473</b> (*)	7	0,020	2	€ 35,00	
L.127		L.140	152 <b>474</b> (*)	8	0,023	2	€ 37,00		
L.147		L.160	152 <b>476</b> (*)	9	0,026	2	€ 40,00		
L.167		L.180	152 <b>477</b> (*)	10	0,029	2	€ 43,00		
▲ <b>LE SCHIENE NON SONO UTILIZZABILI IN PRESENZA DI PANNELLI FRONTALI</b> (pag. 32) <b>DO NOT USE MODESTY PANEL TOGETHER WITH THE FRONT PANEL (PAGE 32)</b>									

**SCRIVANIE IN LINEA PROF.80 CON CAVALLETTI (PIANI SP. 18mm)**

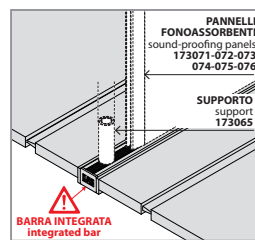
*linear desks depth 80 cms with gantries legs (tops thick. 18mm)*

DESCRIZIONE <i>description</i>	L1	L <i>w</i>	CODICE <i>code</i>	KG	M <sup>3</sup>	COLLI 	PREZZO <i>price</i>	(*) CODICE FINITURA <i>(*) finish code</i>					
								(*)	PIANO	STRUTTURA	<i>top</i>	<i>structure</i>	
<p><b>(2x) SCRIVANIE IN LINEA PROF. CM 80</b> <i>(2x) linear desks depth 80 cms</i></p> <p>L1 x p.80 x H.72,8</p>	<b>L1</b>							<b>003</b>	ROVERE	ARGENTO	oak	silver	
	L.240	L.120	173 <b>256</b> (*)	59	0,279	7	€ 535,00	<b>004</b>	ROVERE GREY	ARGENTO	grey oak	silver	
	L.280	L.140	173 <b>257</b> (*)	61	0,299	7	€ 561,00	<b>044</b>	BIANCO BR.	ARGENTO	br. white	silver	
	L.320	L.160	173 <b>258</b> (*)	67	0,317	7	€ 587,00	<b>066</b>	NOCE PAVIA	ARGENTO	pavia walnut	silver	
	L.360	L.180	173 <b>259</b> (*)	73	0,330	7	€ 621,00	<b>090</b>	WENGÈ'	ARGENTO	wengè	silver	
	<b>PER KIT WIRE-MANAGER GAMBA CENTRALE, VEDI ART. 737 A PAG.44</b> <i>for wire-manager kit central leg, please see art.737 to page 44</i>								<b>400</b>	BIANCO BR.	BIANCO	br. white	white
									<b>403</b>	ROVERE	BIANCO	oak	white
									<b>404</b>	ROVERE GREY	BIANCO	grey oak	white
									<b>444</b>	STONE GREY	BIANCO	stone grey	white
									<b>466</b>	NOCE PAVIA	BIANCO	pavia walnut	white
									<b>490</b>	WENGÈ'	BIANCO	wengè	white
									<b>503</b>	ROVERE	ANTRACITE	oak	anthracite
<p><b>(3x) SCRIVANIE IN LINEA PROF. CM 80</b> <i>(3x) linear desks depth 80 cms</i></p> <p>L1 x p.80 x H.72,8</p>	<b>L1</b>							<b>504</b>	ROVERE GREY	ANTRACITE	grey oak	anthracite	
	L.360	L.120	173 <b>260</b> (*)	83	0,405	10	€ 735,00	<b>541</b>	BIANCO BR.	ANTRACITE	br. white	anthracite	
	L.420	L.140	173 <b>261</b> (*)	86	0,435	10	€ 774,00	<b>544</b>	STONE GREY	ANTRACITE	stone grey	anthracite	
	L.480	L.160	173 <b>262</b> (*)	95	0,462	10	€ 813,00	<b>566</b>	NOCE PAVIA	ANTRACITE	pavia walnut	anthracite	
	L.540	L.180	173 <b>263</b> (*)	104	0,482	10	€ 864,00	<b>591</b>	WENGÈ'	ANTRACITE	wengè	anthracite	
	<b>PER KIT WIRE-MANAGER GAMBA CENTRALE, VEDI ART. 737 A PAG.44</b> <i>for wire-manager kit central leg, please see art.737 to page 44</i>								<b>803</b>	ROVERE	STONE GREY	oak	stone grey
									<b>804</b>	ROVERE GREY	STONE GREY	grey oak	stone grey
									<b>840</b>	BIANCO BR.	STONE GREY	br. white	stone grey
									<b>844</b>	STONE GREY	STONE GREY	stone grey	stone grey
									<b>866</b>	NOCE PAVIA	STONE GREY	pavia walnut	stone grey
									<b>890</b>	WENGÈ'	STONE GREY	wengè	stone grey

**BENCH PROF. CM 165,2 CON BARRA CENTRALE E TOP ACCESS A RIBALTA (PIANI SP. 18mm)**

*bench depth 165,2 cms with central bar top access tip-up door (tops thick. 18mm)*

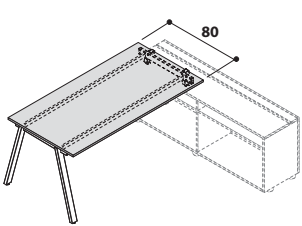
DESCRIZIONE <i>description</i>	L1	L <i>w</i>	CODICE <i>code</i>	KG	M <sup>3</sup>	COLLI 	PREZZO <i>price</i>	(*) CODICE FINITURA <i>(*) finish code</i>										
								(*)	PIANO	STRUTTURA	<i>top</i>	<i>structure</i>						
<p>BENCH PROF. CM 165,2 <b>(CON BARRA CENTRALE E TOP ACCESS INTEGRATI)</b> <i>bench depth 165,2 cms (with integrated central bar and top access)</i></p> <p>L. x p.165,2 x H.72,8</p>	L.120	L.120	173 <b>265</b> (*)	75	0,318	8	€ 749,00	<b>003</b>	ROVERE	ARGENTO	oak	silver						
	L.140	L.140	173 <b>266</b> (*)	80	0,340	8	€ 791,00	<b>004</b>	ROVERE GREY	ARGENTO	grey oak	silver						
	L.160	L.160	173 <b>267</b> (*)	87	0,356	8	€ 833,00	<b>040</b>	BIANCO BR.	ARGENTO	br. white	silver						
	L.180	L.180	173 <b>268</b> (*)	95	0,369	8	€ 878,00	<b>044</b>	STONE GREY	ARGENTO	stone grey	silver						
	<p><b>LA BARRA CENTRALE INTEGRATA PERMETTE IL FISSAGGIO DEL SUPPORTO LAMPADA O BRACCIO PORTA-MONITOR E PANNELLI FRONTALI FONOASSORBENTI (PAG.39-40)</b> <i>the integrated central bar allows the fixing of the lamp support or video-stand arm support and front sound-proofing panels (pag.39-40)</i></p>								<b>066</b>	NOCE PAVIA	ARGENTO	pavia walnut	silver					
<b>090</b>									WENGÈ'	ARGENTO	wengè	silver						
<b>400</b>									BIANCO BR.	BIANCO	br. white	white						
<b>403</b>									ROVERE	BIANCO	oak	white						
<b>404</b>									ROVERE GREY	BIANCO	grey oak	white						
<b>444</b>									STONE GREY	BIANCO	stone grey	white						
<p>BENCH PROF. CM 165,2 <b>(CON BARRA CENTRALE E TOP ACCESS INTEGRATI)</b> <i>bench depth 165,2 cms (with integrated central bar and top access)</i></p> <p>L1 x p.165,2 x H.72,8</p>	<b>L1</b>							<b>466</b>	NOCE PAVIA	BIANCO	pavia walnut	white						
	L.240	L.120	173 <b>270</b> (*)	129	0,597	15	€ 1.308,00	<b>490</b>	WENGÈ'	BIANCO	wengè	white						
	L.280	L.140	173 <b>271</b> (*)	139	0,641	15	€ 1.392,00	<b>503</b>	ROVERE	ANTRACITE	oak	anthracite						
	L.320	L.160	173 <b>272</b> (*)	153	0,673	15	€ 1.476,00	<b>504</b>	ROVERE GREY	ANTRACITE	grey oak	anthracite						
	L.360	L.180	173 <b>273</b> (*)	169	0,699	15	€ 1.566,00	<b>541</b>	BIANCO BR.	ANTRACITE	br. white	anthracite						
<b>PER KIT WIRE-MANAGER GAMBA CENTRALE, VEDI ART. 739 A PAG.44</b> <i>for wire-manager kit central leg, please see art.739 to page 44</i>								<b>544</b>	STONE GREY	ANTRACITE	stone grey	anthracite						
<p>BENCH PROF. CM 165,2 <b>(CON BARRA CENTRALE E TOP ACCESS INTEGRATI)</b> <i>bench depth 165,2 cms (with integrated central bar and top access)</i></p> <p>L1 x p.165,2 x H.72,8</p>	<b>L1</b>							<b>566</b>	NOCE PAVIA	ANTRACITE	pavia walnut	anthracite						
	L.360	L.120	173 <b>275</b> (*)	183	0,876	22	€ 1.867,00	<b>591</b>	WENGÈ'	ANTRACITE	wengè	anthracite						
	L.420	L.140	173 <b>276</b> (*)	198	0,941	22	€ 1.993,00	<b>803</b>	ROVERE	STONE GREY	oak	stone grey						
	L.480	L.160	173 <b>277</b> (*)	219	0,989	22	€ 2.119,00	<b>804</b>	ROVERE GREY	STONE GREY	grey oak	stone grey						
	L.540	L.180	173 <b>278</b> (*)	243	1,029	22	€ 2.254,00	<b>840</b>	BIANCO BR.	STONE GREY	br. white	stone grey						
<b>PER KIT WIRE-MANAGER GAMBA CENTRALE, VEDI ART. 739 A PAG.44</b> <i>for wire-manager kit central leg, please see art.739 to page 44</i>								<b>844</b>	STONE GREY	STONE GREY	stone grey	stone grey						
								<b>866</b>	NOCE PAVIA	STONE GREY	pavia walnut	stone grey						
								<b>890</b>	WENGÈ'	STONE GREY	wengè	stone grey						



**PER COPERTURE CENTRALI , PANNELLI FRONTALI e BARRE ATTREZZABILI**  
**VEDI DA PAG. 33 A 40**  
*for central covers, front panels and toolbars, please see pages from 33 to 40*

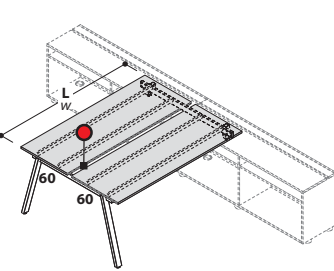
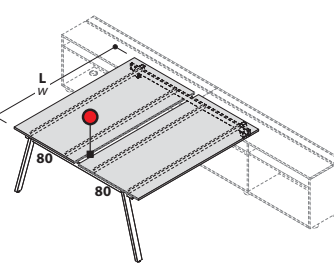
**SCRIVANIE CON CAVALLETTO DA APPOGGIO (PIANI SP. 18mm)**

*desks with gantries legs (tops thick. 18mm)*

DESCRIZIONE <i>description</i>	L <i>w</i>	CODICE <i>code</i>	KG	M <sup>3</sup>	COLLI 	PREZZO <i>price</i>	(*) CODICE FINITURA <i>(*) finish code</i>		
							PIANO <i>top</i>	STRUTTURA <i>structure</i>	
SCRIVANIE PROF. CM 80 <i>desks depth 80 cms</i>    L. x p.80 x H.72,8	L.120	173 280 (*)	29	0,123	4	€ 302,00	003	ROVERE ARGENTO oak silver	
	L.140	173 281 (*)	30	0,133	4	€ 315,00	004	ROVERE GREY ARGENTO grey oak silver	
	L.160	173 282 (*)	33	0,142	4	€ 328,00	040	BIANCO BR. ARGENTO br. white silver	
	L.180	173 283 (*)	36	0,149	4	€ 345,00	044	STONE GREY ARGENTO stone grey silver	
	DA UTILIZZARE IN APPOGGIO SU MOBILI DI SERVIZIO O PORTA CPU (VEDI DA PAG.65 A 68) <i>put on service units or cpu-holder (please, you see pages from 65 to 68)</i>							066	NOCE PAVIA ARGENTO pavia walnut silver
								090	WENGÉ' ARGENTO wengé silver
								400	BIANCO BR. BIANCO br. white white
								403	ROVERE BIANCO oak white
								404	ROVERE GREY BIANCO grey oak white
								444	STONE GREY BIANCO stone grey white
								466	NOCE PAVIA BIANCO pavia walnut white
								490	WENGÉ' BIANCO wengé white
								503	ROVERE ANTRACITE oak anthracite
								504	ROVERE GREY ANTRACITE grey oak anthracite
								541	BIANCO BR. ANTRACITE br. white anthracite
							544	STONE GREY ANTRACITE stone grey anthracite	
							566	NOCE PAVIA ANTRACITE pavia walnut anthracite	
							591	WENGÉ' ANTRACITE wengé anthracite	
							803	ROVERE STONE GREY oak stone grey	
							804	ROVERE GREY STONE GREY grey oak stone grey	
							840	BIANCO BR. STONE GREY br. white stone grey	
							844	STONE GREY STONE GREY stone grey stone grey	
							866	NOCE PAVIA STONE GREY pavia walnut stone grey	
							890	WENGÉ' STONE GREY wengé stone grey	

**BENCH CON CON CAVALLETTO DA APPOGGIO (PIANI SP. 18mm)**

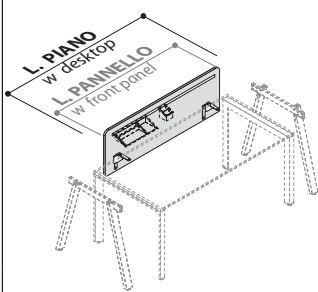
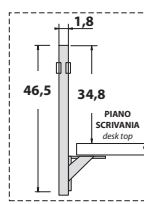


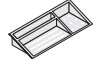
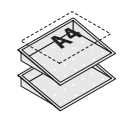
*bench with gantries legs (tops thick. 18mm)*

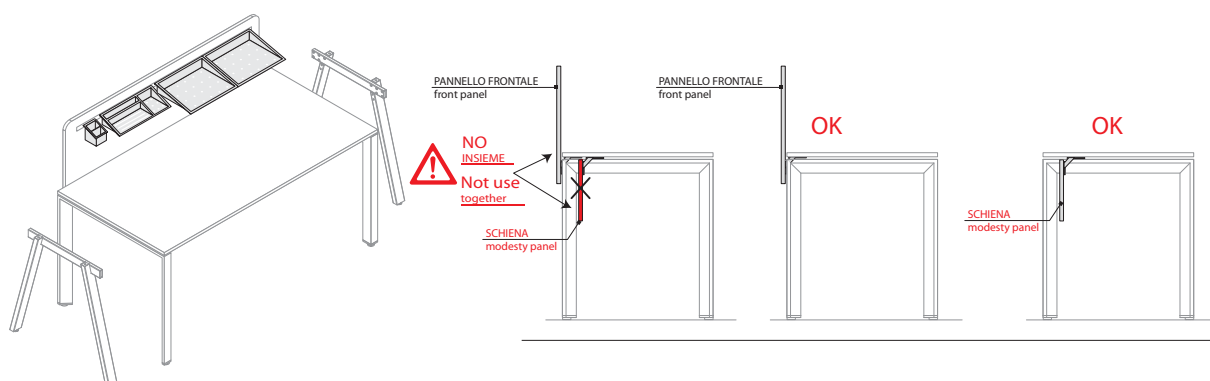
BENCH PROF. CM 125,2 <i>bench depth 125,2 cms</i>    L. x p.125,2 x H.72,8	L.120	173 285 (*)	47	0,191	6	€ 446,00	(*) PIANO STRUTTURA <i>top structure</i>	003	ROVERE ARGENTO oak silver
	L.140	173 286 (*)	51	0,208	6	€ 470,00		004	ROVERE GREY ARGENTO grey oak silver
	L.160	173 287 (*)	57	0,223	6	€ 496,00		040	BIANCO BR. ARGENTO br. white silver
	L.180	173 288 (*)	63	0,233	6	€ 522,00		044	STONE GREY ARGENTO stone grey silver
	DA UTILIZZARE IN APPOGGIO SU MOBILI DI SERVIZIO O PORTA CPU (VEDI DA PAG.65 A 68) <i>put on service units or cpu-holder (please, you see pages from 65 to 68)</i>							066	NOCE PAVIA ARGENTO pavia walnut silver
BENCH PROF. CM 165,2 <i>bench depth 165,2 cms</i>    L. x p.165,2 x H.72,8								090	WENGÉ' ARGENTO wengé silver
								400	BIANCO BR. BIANCO br. white white
								403	ROVERE BIANCO oak white
								404	ROVERE GREY BIANCO grey oak white
								444	STONE GREY BIANCO stone grey white
								466	NOCE PAVIA BIANCO pavia walnut white
								490	WENGÉ' BIANCO wengé white
								503	ROVERE ANTRACITE oak anthracite
								504	ROVERE GREY ANTRACITE grey oak anthracite
								541	BIANCO BR. ANTRACITE br. white anthracite
								544	STONE GREY ANTRACITE stone grey anthracite
								566	NOCE PAVIA ANTRACITE pavia walnut anthracite
								591	WENGÉ' ANTRACITE wengé anthracite
								803	ROVERE STONE GREY oak stone grey
								804	ROVERE GREY STONE GREY grey oak stone grey
							840	BIANCO BR. STONE GREY br. white stone grey	
							844	STONE GREY STONE GREY stone grey stone grey	
							866	NOCE PAVIA STONE GREY pavia walnut stone grey	
							890	WENGÉ' STONE GREY wengé stone grey	




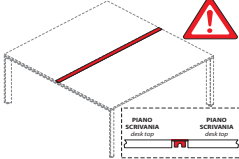
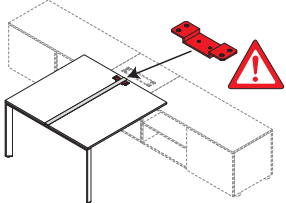
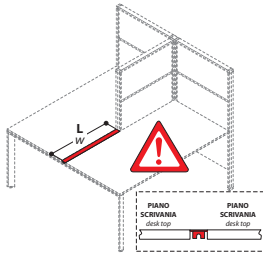
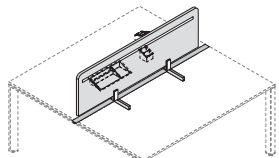
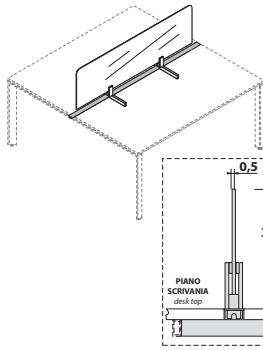
## PANNELLI FRONTALI E ACCESSORI

front panels and accessories

DESCRIZIONE description	L w	L w	CODICE code	KG	M <sup>3</sup>	COLLI	PREZZO price	(*) CODICE FINITURA (*) finish code						
PANNELLI FRONTALI front panels    	L. PANNELLO w front pan.	USO SU PIANI use for desktops	MELAMINICO melamine											
	L.107	L.120	152 483 (*)	8	0,033	2	€ 60,00							
	L.127	L.140	152 484 (*)	9	0,035	2	€ 65,00							
	L.147	L.160	152 485 (*)	10	0,032	2	€ 70,00							
	L.167	L.180	152 486 (*)	11	0,044	2	€ 75,00							
									(*)	MELAMINICO	melamine			
									000	ARGENTO GOLF	golf silver			
									166	NOCE PAVIA	pavia walnut			
									400	BIANCO BR.	br. white			
									551	ANTRACITE	anthracite			
								704	ROVERE GREY	grey oak				
								733	ROVERE	oak				
								844	STONE GREY	stone grey				
								900	WENGE'	wenge				
									B	D	E	F	G	
								CREPE	STRETCH	LANA	TAYLOR by Flukso	GO CHECK by Gabriel RUNNER by Gabriel		
L. PANNELLO w front pan.	USO SU PIANI use for desktops	TESSUTO fabric												
L.107	L.120	152 493 (*)	8	0,030	2	€ 181,00	€ 189,00	€ 202,00	€ 208,00	€ 218,00				
L.127	L.140	152 494 (*)	9	0,035	2	€ 192,00	€ 200,00	€ 213,00	€ 219,00	€ 229,00				
L.147	L.160	152 495 (*)	10	0,032	2	€ 203,00	€ 216,00	€ 237,00	€ 247,00	€ 262,00				
L.167	L.180	152 496 (*)	11	0,044	2	€ 217,00	€ 232,00	€ 257,00	€ 268,00	€ 286,00				
 <b>I PANNELLI FRONTALI NON SONO UTILIZZABILI IN PRESENZA DI SCHIENA</b> <b>DO NOT USE FRONT PANEL TOGETHER WITH THE MODESTY PANEL</b>														
L. x p.1,8 x H.46,5														
PORTA-PENNE pen-holder  	L.8,5	152 351 (*)	1,5	0,002	2	€ 30,00								
L.8,5 x p.9,5 x H.9														
PORTA-OGGETTI objects-holder  	L.38	152 352 (*)	1,5	0,002	2	€ 54,00								
L.38 x p.15 x H.6														
KIT 2 PORTA-CARTA set of 2 paper-holder  	L.35	152 353 (*)	1,5	0,002	2	€ 69,00								
L.35 x p.27 x H.6														

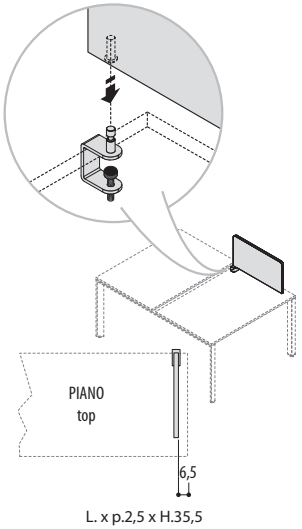
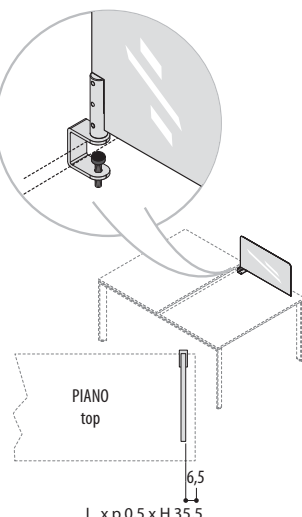
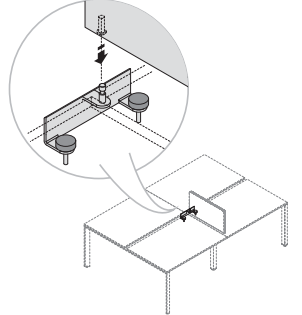
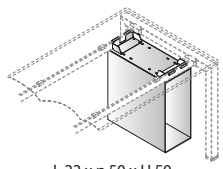




COMPLEMENTI PER BENCH complements for bench		 <b>QUESTI ARTICOLI NON SONO UTILIZZABILI SU SCRIVANIE CON PIANI SCORREVOLI!</b> <b>don't use these items on desks with sliding tops!</b>					(*) CODICE FINITURA (*) finish code																							
DESCRIZIONE description	L w	CODICE code	KG	M <sup>3</sup>	COLLI boxes	PREZZO price																								
COPERTURA CENTRALE PER BENCH central cover profile for bench  L. x p.5,2 x H.1,6	L.120	153 220 (*)	1	0,006	1	€ 54,00																								
	L.140	153 221 (*)	1	0,008	1	€ 57,00																								
	L.160	153 222 (*)	1	0,008	1	€ 59,00																								
	L.180	153 223 (*)	1,5	0,012	1	€ 61,00																								
							(*)																							
							000	ARGENTO	silver																					
STAFFA PER COPERTURA CENTRALE stirrup for central cover profile 	153 206 (*)		1,5	0,001	1	€ 15,00																								
								(*)																						
								000	ARGENTO	silver																				
								400	BIANCO	white																				
							551	ANTRACITE	anthracite																					
							844	STONE GREY	stone grey																					
COPERTURA CENTRALE PER BENCH CON PARETINE central cover profile for bench with partition panels  L. x p.5,2 x H.1,6	L.60	153 201 (*)	1,5	0,005	1	€ 35,00																								
	L.70	153 202 (*)	1,5	0,007	1	€ 37,00																								
	L.80	153 203 (*)	1,5	0,004	1	€ 39,00																								
	L.90	153 204 (*)	1,5	0,004	1	€ 42,00																								
	L.100	153 234 (*)	1,5	0,007	1	€ 45,00																								
	L.120	153 239 (*)	1,5	0,006	1	€ 48,00																								
							(*)																							
							000	ARGENTO	silver																					
PANNELLI FRONTALI E COPERTURA CENTRALE PER BENCH front panels and central cover profile for bench  L. x p.2,5 x H.35,5	MELAMINICO melamine						(*)	MELAMINICO	melamine																					
	L.120	153 500 (*)	9,5	0,031	3	€ 105,00	000	ARGENTO GOLF	golf silver																					
	L.140	153 501 (*)	10,5	0,037	3	€ 116,00	166	NOCE PAVIA	pavia walnut																					
	L.160	153 502 (*)	11,5	0,037	3	€ 127,00	400	BIANCO BR.	br. white																					
	L.180	153 503 (*)	12,5	0,044	3	€ 140,00	551	ANTRACITE	anthracite																					
								704	ROVERE GREY	grey oak																				
							733	ROVERE	oak																					
							844	STONE GREY	stone grey																					
							900	WENGE'	wenge																					
							<table border="1"> <thead> <tr> <th>B</th> <th>D</th> <th>E</th> <th>F</th> <th>G</th> </tr> </thead> <tbody> <tr> <td>CREPE</td> <td>STRETCH</td> <td>LANA</td> <td>TAYLOR by Flukso</td> <td>GO CHECK by Gabriel</td> </tr> <tr> <td></td> <td>MELANGE</td> <td></td> <td></td> <td>RUNNER by Gabriel</td> </tr> <tr> <td></td> <td>TREVI</td> <td></td> <td></td> <td></td> </tr> </tbody> </table>				B	D	E	F	G	CREPE	STRETCH	LANA	TAYLOR by Flukso	GO CHECK by Gabriel		MELANGE			RUNNER by Gabriel		TREVI			
B	D	E	F	G																										
CREPE	STRETCH	LANA	TAYLOR by Flukso	GO CHECK by Gabriel																										
	MELANGE			RUNNER by Gabriel																										
	TREVI																													
TESSUTO fabric							L.120	153 505 (*)	9,5	0,031	3	€ 205,00	€ 210,00	€ 219,00	€ 223,00	€ 229,00														
							L.140	153 506 (*)	10,5	0,037	3	€ 217,00	€ 222,00	€ 232,00	€ 236,00	€ 242,00														
							L.160	153 507 (*)	11,5	0,037	3	€ 241,00	€ 248,00	€ 260,00	€ 264,00	€ 273,00														
							L.180	153 508 (*)	12,5	0,044	3	€ 262,00	€ 269,00	€ 282,00	€ 287,00	€ 296,00														
PANNELLI FRONTALI IN METACRILATO E COPERTURA CENTRALE PER BENCH methacrylate front panels and central cover profile for bench  L. x p.0,5 x H.35,5	METACRILATO methacrylate						(*)																							
	L.120	153 510 (*)	5,5	0,011	3	€ 155,00	999	METACRILATO BIANCO	white methacrylate																					
	L.140	153 511 (*)	6	0,013	3	€ 168,00																								
	L.160	153 512 (*)	6,5	0,013	3	€ 183,00																								
	L.180	153 513 (*)	7,5	0,018	3	€ 222,00																								

## COMPLEMENTI PER BENCH

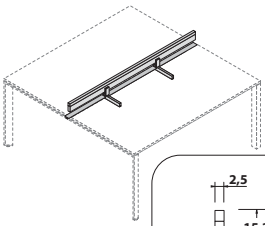
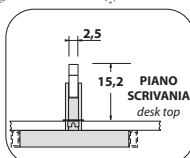
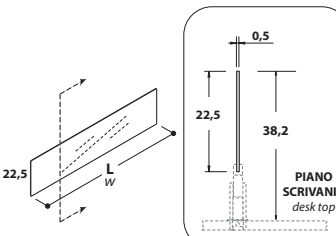
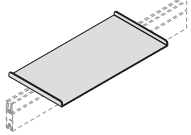
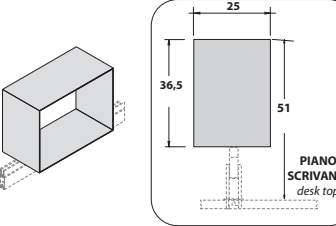
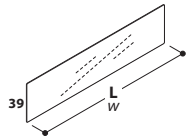
complements for bench

DESCRIZIONE <i>description</i>	L <i>w</i>	CODICE <i>code</i>	KG	M <sup>3</sup>	COLLI	PREZZO <i>price</i>	(*) CODICE FINITURA <i>(*) finish code</i>				
							(*)	MELAMINICO <i>melamine</i>	<i>melamine</i>		
PANNELLO LATERALE <i>side panel</i>   L x p.2,5 x H.35,5		<b>MELAMINICO</b> <i>melamine</i>									
	L.50	153 <b>245</b> (*)	5	0,011	2	€ 48,00	000	ARGENTO GOLF	<i>golf silver</i>		
	L.70	153 <b>246</b> (*)	6	0,018	2	€ 54,00	166	NOCE PAVIA	<i>pavia walnut</i>		
	L.80	153 <b>247</b> (*)	7	0,020	2	€ 59,00	400	BIANCO BR.	<i>br. white</i>		
							551	ANTRACITE	<i>anthracite</i>		
							704	ROVERE GREY	<i>grey oak</i>		
							733	ROVERE	<i>oak</i>		
							844	STONE GREY	<i>stone grey</i>		
							900	WENGE'	<i>wenge</i>		
			<b>TESSUTO</b> <i>fabric</i>								
							B	D	E	F	G
							CREPE	STRETCH	LANA	TAYLOR by Flukso	GO CHECK by Gabriel
								MELANGE			RUNNER by Gabriel
								TREVI			
	L.50	153 <b>248</b> (*)	5	0,011	2	€ 123,00	€ 128,00	€ 137,00	€ 141,00	€ 147,00	
	L.70	153 <b>249</b> (*)	6	0,018	2	€ 134,00	€ 141,00	€ 153,00	€ 157,00	€ 166,00	
	L.80	153 <b>250</b> (*)	7	0,020	2	€ 147,00	€ 154,00	€ 167,00	€ 172,00	€ 181,00	
PANNELLO LATERALE IN METACRILATO <i>methacrylate side panel</i>   L x p.0,5 x H.35,5		<b>METACRILATO</b> <i>methacrylate</i>									
	L.50	153 <b>251</b> (*)	2	0,002	2	€ 105,00					
	L.70	153 <b>252</b> (*)	2,5	0,003	2	€ 118,00	(*)				
	L.80	153 <b>253</b> (*)	3	0,003	2	€ 128,00	999	METACRILATO BIANCO	<i>white methacrylate</i>		
STAFFA PER POSIZIONAMENTO PANNELLO IN POSIZIONE CENTRALE <i>stirrup for central position of panel</i>   L.18 x p.4,6 x H.5		153 <b>254</b> (*)	0,5	0,001	1	€ 36,00	(*)				
							000	ARGENTO	<i>silver</i>		
PORTA-CPU SOSPESO <i>suspended CPU-holder</i>   L.22 x p.50 x H.50		153 <b>264</b> (*)	5	0,006	1	€ 124,00	(*)				
							000	ARGENTO	<i>silver</i>		
							400	BIANCO	<i>white</i>		
							551	ANTRACITE	<i>anthracite</i>		
							844	STONE GREY	<i>stone grey</i>		
							UTILIZZABILE SU PIANI PROF. CM 60-80-90 <i>usable under desktops depth 60-80-90 cms</i>				




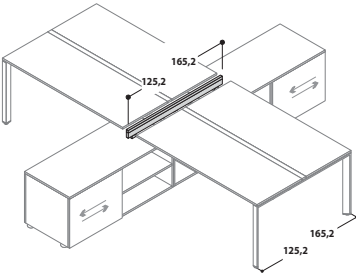
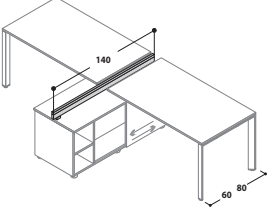
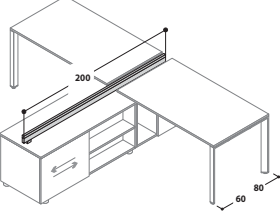
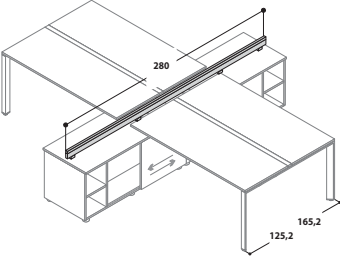
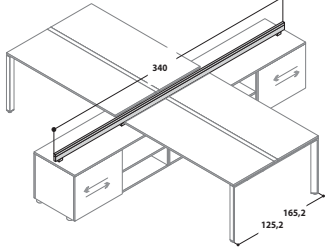


## BARRE ATTREZZABILI FRONTALI E COMPLEMENTI PER BENCH

front toolbars and complements for bench

DESCRIZIONE description	L w	CODICE code	KG	M <sup>3</sup>	COLLI PCS	PREZZO price	(*) CODICE FINITURA (*) finish code			
<b>BARRA ATTREZZABILE FRONTALE E COPERTURA CENTRALE PER BENCH</b> <i>front toolbar and central cover profile for bench</i>   L. x p.2,5 x H.15,2	L.120	153 400 (*)	4,5	0,020	3	€ 130,00				
	L.140	153 401 (*)	4,5	0,022	3	€ 147,00				
	L.160	153 402 (*)	5,5	0,022	3	€ 160,00				
	L.180	153 403 (*)	5,5	0,026	3	€ 175,00				
								(*)		
							000	ALLUMINIO	aluminium	
<b>SCHERMI FRONTALI IN METACRILATO BIANCO H.38,2</b> <i>white methacrylate front screens</i>  L. x p.0,5 x H.22,5	<b>H.38,2 (dal piano scrivania) h.15" (from desktop)</b>									
	L.60	153 407 (*)	1,5	0,001	1	€ 40,00				
	L.80	153 408 (*)	2	0,002	1	€ 53,00				
	L.100	153 409 (*)	2,5	0,002	1	€ 72,00				
	L.120	153 410 (*)	3	0,002	1	€ 85,00				
	L.140	153 411 (*)	3	0,003	1	€ 99,00				
	L.160	153 412 (*)	3	0,003	1	€ 114,00				
	L.180	153 413 (*)	4	0,004	1	€ 137,00				
	<b>COMPLETARE SEMPRE CON BARRA ATTREZZABILE FRONTALE</b> <i>always complete with front toolbar</i> ART. 400-401-402-403							(*)	SCHERMO FRONTALE	front screen
								999	METACRILATO BIANCO	white methacrylate
<b>MENSOLA CENTRALE</b> <i>central shelf</i>  L.50 x p.25 x H.2	L.50	153 450 (*)	5	0,016	1	€ 46,00				
								(*)		
<b>PORTA-DOX CENTRALE</b> <i>central dox-holder</i>  L.50 x p.25 x H.36,5	L.50	153 451 (*)	5	0,076	1	€ 102,00				
								000	ARGENTO	silver
								400	BIANCO	white
								551	ANTRACITE	anthracite
								844	STONE GREY	stone grey
<b>SCHERMI FRONTALI IN METACRILATO BIANCO PER BARRE ATTREZZABILI LATERALI A FILO PIANO</b> <i>white methacrylate front screens for lateral desk height toolbars</i>  L. x p.0,5 x H.39	L.60	152 331 (*)	2	0,001	1	€ 60,00				
	L.80	152 332 (*)	2	0,002	1	€ 87,00				
	<b>COMPLETARE SEMPRE CON BARRA ATTREZZABILE A FILO PIANO</b> <i>VEDI PAGINA SEGUENTE</i> <i>always complete with desk height toolbar, please see next page</i>							(*)	SCHERMO FRONTALE	front screen
								999	METACRILATO BIANCO	white methacrylate

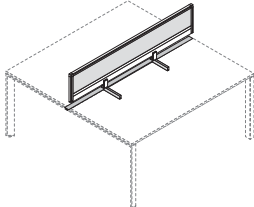
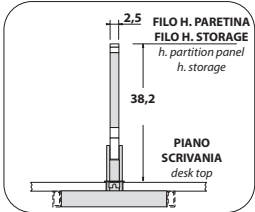
**BARRE ATTREZZABILI LATERALI A FILO PIANO***lateral desk height toolbars*

DESCRIZIONE <i>description</i>	L <i>w</i>	CODICE <i>code</i>	KG 	M <sup>3</sup> 	COLLI 	PREZZO <i>price</i>	(*) CODICE FINITURA <i>(*) finish code</i>
BARRE ATTREZZABILI LATERALI A FILO PIANO <i>lateral desk height toolbars</i>  L. x p.2,5 x H.11,6	<b>(a filo piano scrivania) (desk height)</b>						
	L.125,2	<b>153 430 (*)</b>	3	0,018	2	<b>€ 91,00</b>	
	L.165,2	<b>153 431 (*)</b>	3	0,018	2	<b>€ 119,00</b>	
BARRA ATTREZZABILE LATERALE A FILO PIANO <i>lateral desk height toolbar</i>  L.140 x p.2,5 x H.11,6	<b>(a filo piano scrivania) (desk height)</b>						
	L.140	<b>153 433 (*)</b>	3	0,018	2	<b>€ 102,00</b>	
BARRA ATTREZZABILE LATERALE A FILO PIANO <i>lateral desk height toolbar</i>  L.200 x p.2,5 x H.11,6	<b>(a filo piano scrivania) (desk height)</b>						
	L.200	<b>153 434 (*)</b>	5	0,018	2	<b>€ 133,00</b>	
							(*) 000 ALLUMINIO <i>aluminium</i>
BARRA ATTREZZABILE LATERALE A FILO PIANO <i>lateral desk height toolbar</i>  L.280 x p.2,5 x H.11,6	<b>(a filo piano scrivania) (desk height)</b>						
	L.280	<b>153 435 (*)</b>	3	0,018	2	<b>€ 191,00</b>	
BARRA ATTREZZABILE LATERALE A FILO PIANO <i>lateral desk height toolbar</i>  L.340 x p.2,5 x H.11,6	<b>(a filo piano scrivania) (desk height)</b>						
	L.340	<b>153 436 (*)</b>	3	0,018	2	<b>€ 223,00</b>	



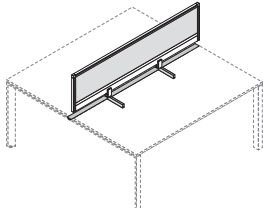
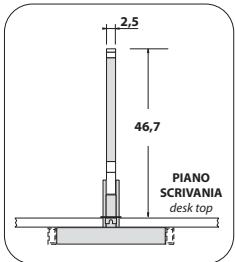
**PANNELLI FRONTALI CON BARRA-ATTREZZABILE PER BENCH (h.38,2 DAL PIANO SCRIVANIA)**

front panels with toolbar for bench (h.38,2 cms from worktop)




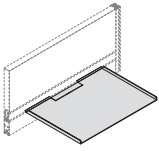
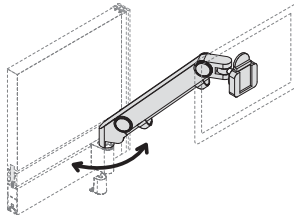
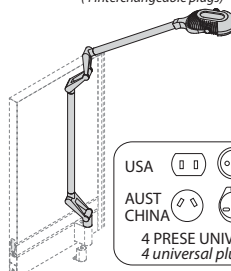




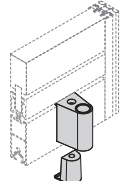
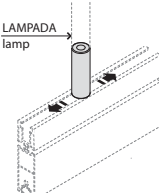
DESCRIZIONE description	L w	CODICE code	KG	M <sup>3</sup>	COLLI	PREZZO price	PREZZO price	PREZZO price	PREZZO price	PREZZO price
PANNELLI FRONTALI CON BARRA ATTREZZABILE E <b>COPERTURA CENTRALE PER BENCH</b> front panels with toolbar and <b>central cover profile</b> for bench      L. x p.2,5 x H.38,2										

**PANNELLI FRONTALI CON BARRA-ATTREZZABILE PER BENCH (h.46,7 DAL PIANO SCRIVANIA)**

front panels with toolbar for bench (h.46,7 cms from worktop)

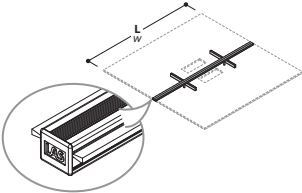
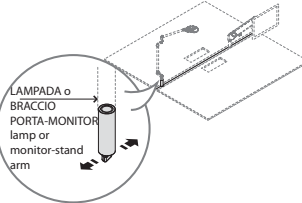
DESCRIZIONE description	L w	CODICE code	KG	M <sup>3</sup>	COLLI	PREZZO price	PREZZO price	PREZZO price	PREZZO price	PREZZO price
PANNELLI FRONTALI CON BARRA ATTREZZABILE E <b>COPERTURA CENTRALE PER BENCH</b> front panels with toolbar and <b>central cover profile</b> for bench      L. x p.2,5 x H.46,7										

**ACCESSORI PER PANNELLI FRONTALI CON BARRA ATTREZZABILE***accessories for front panels with toolbar*

DESCRIZIONE <i>description</i>	L <i>w</i>	CODICE <i>code</i>	KG 	M <sup>3</sup> 	COLLI 	PREZZO <i>price</i>	(*) CODICE FINITURA <i>(*) finish code</i>
MENSOLO PORTA-DOCUMENTI <i>file-holder shelf</i>    L.34 x p.25 x H.1,2		153 750 (*)	2	0,014	1	€ 46,00	(*) 000 ARGENTO silver
BRACCIO GIREVOLE PORTA-VIDEO (PORTATA MAX. KG 9- DIMENSIONI DA 15" A 23") <i>rotating video stand arm</i> (max capacity Kg 9- sizes 15"-23")  		153 751 (*)	2	0,002	1	€ 188,00	
	<b>COMPLETARE SEMPRE CON SUPPORTO ART.755</b> <i>always complete with support art.755</i>						
LAMPADA A LED - 5 Watt (con 4 prese universali intercambiabili) <i>led lamp - 5 Watt</i> (4 interchangeable plugs)   USA  EU  AUST  CHINA  4 PRESE UNIVERSALI <i>4 universal plugs</i>		153 753 (*)	0,8	0,002	1	€ 387,00	
	<b>COMPLETARE SEMPRE CON SUPPORTO ART.755 OPPURE ART.756</b> <i>always complete with support art.755 or art.756</i>						
SUPPORTO PER LAMPADE O PER BRACCIO GIREVOLE <i>support for lamps or rotating video stand arm</i>    H.6		153 755 (*)	2	0,001	1	€ 22,00	
SUPPORTO PER LAMPADE <i>support for lamps</i>    Ø 2,2 x H.5		153 756 (*)	2	0,001	1	€ 32,00	

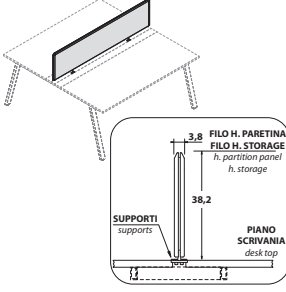
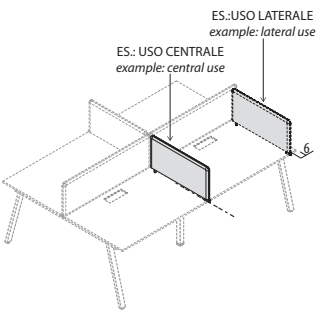


**BARRE CENTRALI PER BENCH CON PIANI SCORREVOLI O CON TOP-ACCESS***central bar for bench with sliding tops or with top access*

DESCRIZIONE <i>description</i>	L <i>w</i>	CODICE <i>code</i>	KG	M <sup>3</sup>	COLLI	PREZZO <i>price</i>	(*) CODICE FINITURA <i>(*) finish code</i>		
BARRA CENTRALE PER BENCH <b>CON PIANI SCORREVOLI O CON TOP-ACCESS</b> <i>central bar for bench with sliding tops or with top access</i>    L. x p,5,2 x H,2,6	L.120	173 060 (*)	3	0,013	2	€ 124,00			
	L.140	173 061 (*)	3	0,015	2	€ 133,00			
	L.160	173 062 (*)	3,5	0,017	2	€ 143,00			
	L.180	173 063 (*)	4	0,019	2	€ 152,00			
								(*)	
							000	ARGENTO	silver
1 SUPPORTO PER LAMPADA E BRACCIO PORTA-MONITOR SU BARRA CENTRALE <i>1 lamp and video-stand arm support on central bar</i>    Ø2,8 x H,8,6		173 065 (*)	0,7	0,001	1	€ 29,00			
							(*)		
							000	ARGENTO	silver

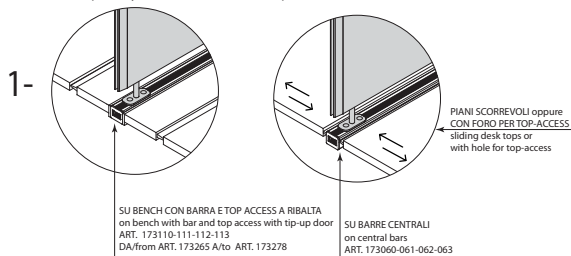
**PANNELLI FONOASSORBENTI RIVESTITI IN TESSUTO**

*sound-proofing panels covered with fabric*

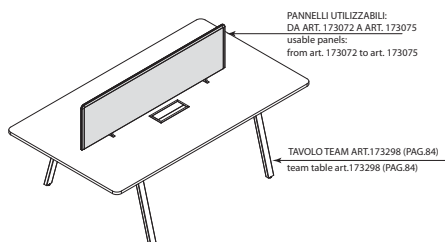
DESCRIZIONE <i>description</i>	L <i>w</i>	CODICE <i>code</i>	KG	M <sup>3</sup>	COLLI	PREZZO <i>price</i>	PREZZO <i>price</i>	PREZZO <i>price</i>	PREZZO <i>price</i>	PREZZO <i>price</i>			
PANNELLO FRONTALE FONOASSORBENTE (CON 2 SUPPORTI INCLUSI) <i>front sound-proofing panel (with 2 supports)</i>  		<b>TESSUTO</b> <i>fabric</i>											
								<b>B</b>	<b>D</b>	<b>E</b>	<b>F</b>	<b>G</b>	
								CREPE	STRETCH	LANA	TAYLOR by Flukso	GO CHECK by Gabriel	GO CHECK by Gabriel
									MELANGE			RUNNER by Gabriel	RUNNER by Gabriel
									TREVÌ				
	L.80	173 <b>071</b> (*)	6,5	0,020	2	€ 160,00	€ 174,00	€ 179,00	€ 184,00	€ 193,00			
	L.100	173 <b>072</b> (*)	7,5	0,026	2	€ 167,00	€ 181,00	€ 186,00	€ 192,00	€ 200,00			
	L.120	173 <b>073</b> (*)	8,5	0,028	2	€ 196,00	€ 209,00	€ 215,00	€ 220,00	€ 229,00			
	L.140	173 <b>074</b> (*)	8,5	0,036	2	€ 221,00	€ 243,00	€ 251,00	€ 259,00	€ 273,00			
	L.160	173 <b>075</b> (*)	9,5	0,037	2	€ 238,00	€ 263,00	€ 272,00	€ 282,00	€ 297,00			
L.180	173 <b>076</b> (*)	10,5	0,041	2	€ 255,00	€ 283,00	€ 294,00	€ 304,00	€ 322,00				
L. x p.3,8 x H.38,2													
1 PANNELLO FONOASSORBENTE LATERALE O CENTRALE (CON 2 SUPPORTI INCLUSI) <i>1 lateral or central sound-proofing panel (with 2 supports)</i>  		<b>TESSUTO</b> <i>fabric</i>											
								<b>B</b>	<b>D</b>	<b>E</b>	<b>F</b>	<b>G</b>	
								CREPE	STRETCH	LANA	TAYLOR by Flukso	GO CHECK by Gabriel	GO CHECK by Gabriel
									MELANGE			RUNNER by Gabriel	RUNNER by Gabriel
									TREVÌ				
	L.60	173 <b>077</b> (*)	5,5	0,014	2	€ 143,00	€ 151,00	€ 153,00	€ 156,00	€ 161,00			
	L.80	173 <b>078</b> (*)	5,5	0,021	2	€ 167,00	€ 181,00	€ 186,00	€ 191,00	€ 200,00			
	<b>NON UTILIZZABILI SU PIANI CON TOP ACCESS A RIBALTA</b> <i>do not use on desk top with top access tip-up door</i>												
	L. x p.3,8 x H.38,2												

**USO PANNELLI FRONTALI**  
*use front panels*

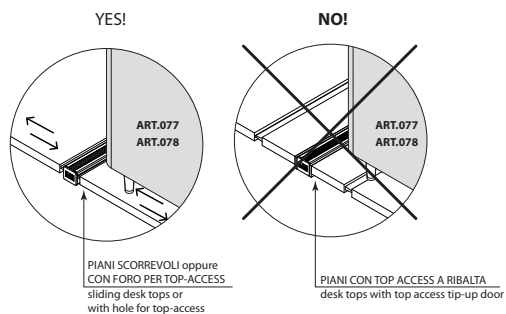
IL MONTAGGIO DEI PANNELLI FONOASSORBENTI AVVIENE ESCLUSIVAMENTE:  
 1- SOPRA LE BARRE CENTRALI  
 2- SU TAVOLO TEAM CON CAVALLETTI  
 VEDI GLI ESEMPI ILLUSTRATI  
 the soundproofing panels are exclusively assembled:  
 1- on the central bars  
 2- on team table with gantries  
 please, you see the illustrated examples



2-



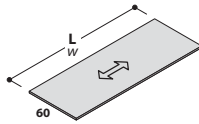
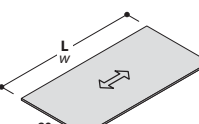
**USO PANNELLI LATERALI**  
*use lateral panels*





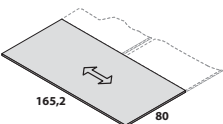
## PIANI SCRIVANIE PER GAMBE A PONTE

desktops for bridge legs

DESCRIZIONE description	L w	CODICE code	KG	M <sup>3</sup>	COLLI	PREZZO price	(*) CODICE FINITURA (* finish code)																						
PIANI SCRIVANIE PROF. CM 60 desktops depth 60 cms    L. x p.60 x H.	PIANO sp. 18mm top thick. 18mm																												
	L.120	153 <b>810</b> (*)	11	0,032	1	€ 44,00																							
	L.140	153 <b>811</b> (*)	12	0,037	1	€ 50,00																							
	L.160	153 <b>812</b> (*)	14	0,042	1	€ 56,00																							
	L.180	153 <b>813</b> (*)	16	0,047	1	€ 61,00																							
	PIANO sp. 25mm top thick. 25mm																												
	L.120	152 <b>382</b> (*)	13	0,036	1	€ 54,00																							
	L.140	152 <b>383</b> (*)	15	0,041	1	€ 60,00																							
	L.160	152 <b>384</b> (*)	17	0,047	1	€ 66,00																							
	L.180	152 <b>385</b> (*)	19	0,053	1	€ 74,00																							
								<table border="1"> <thead> <tr> <th>(*)</th> <th>PIANO</th> <th>top</th> </tr> </thead> <tbody> <tr> <td>166</td> <td>NOCE PAVIA</td> <td>pavia walnut</td> </tr> <tr> <td>400</td> <td>BIANCO BR.</td> <td>br. white</td> </tr> <tr> <td>704</td> <td>ROVERE GREY</td> <td>grey oak</td> </tr> <tr> <td>733</td> <td>ROVERE</td> <td>oak</td> </tr> <tr> <td>844</td> <td>STONE GREY</td> <td>stone grey</td> </tr> <tr> <td>900</td> <td>WENGE'</td> <td>wenge</td> </tr> </tbody> </table>	(*)	PIANO	top	166	NOCE PAVIA	pavia walnut	400	BIANCO BR.	br. white	704	ROVERE GREY	grey oak	733	ROVERE	oak	844	STONE GREY	stone grey	900	WENGE'	wenge
	(*)	PIANO	top																										
	166	NOCE PAVIA	pavia walnut																										
	400	BIANCO BR.	br. white																										
704	ROVERE GREY	grey oak																											
733	ROVERE	oak																											
844	STONE GREY	stone grey																											
900	WENGE'	wenge																											
PIANI SCRIVANIE PROF. CM 80 desktops depth 80 cms    L. x p.80 x H.	PIANO sp. 18mm top thick. 18mm																												
	L.120	153 <b>815</b> (*)	14	0,042	1	€ 55,00																							
	L.140	153 <b>816</b> (*)	14	0,048	1	€ 62,00																							
	L.160	153 <b>817</b> (*)	16	0,055	1	€ 68,00																							
	L.180	153 <b>818</b> (*)	18	0,062	1	€ 77,00																							
	PIANO sp. 25mm top thick. 25mm																												
	L.120	152 <b>392</b> (*)	17	0,052	1	€ 64,00																							
	L.140	152 <b>393</b> (*)	20	0,060	1	€ 75,00																							
	L.160	152 <b>394</b> (*)	23	0,069	1	€ 84,00																							
	L.180	152 <b>395</b> (*)	26	0,077	1	€ 92,00																							
								<table border="1"> <thead> <tr> <th>(*)</th> <th>PIANO</th> <th>top</th> </tr> </thead> <tbody> <tr> <td>166</td> <td>NOCE PAVIA</td> <td>pavia walnut</td> </tr> <tr> <td>400</td> <td>BIANCO BR.</td> <td>br. white</td> </tr> <tr> <td>704</td> <td>ROVERE GREY</td> <td>grey oak</td> </tr> <tr> <td>733</td> <td>ROVERE</td> <td>oak</td> </tr> <tr> <td>844</td> <td>STONE GREY</td> <td>stone grey</td> </tr> <tr> <td>900</td> <td>WENGE'</td> <td>wenge</td> </tr> </tbody> </table>	(*)	PIANO	top	166	NOCE PAVIA	pavia walnut	400	BIANCO BR.	br. white	704	ROVERE GREY	grey oak	733	ROVERE	oak	844	STONE GREY	stone grey	900	WENGE'	wenge
	(*)	PIANO	top																										
	166	NOCE PAVIA	pavia walnut																										
	400	BIANCO BR.	br. white																										
704	ROVERE GREY	grey oak																											
733	ROVERE	oak																											
844	STONE GREY	stone grey																											
900	WENGE'	wenge																											

## PIANI TERMINALI PER BENCH

terminal tops for bench

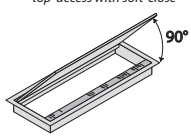
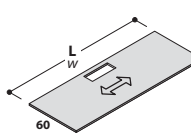
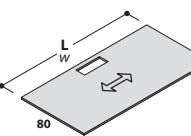
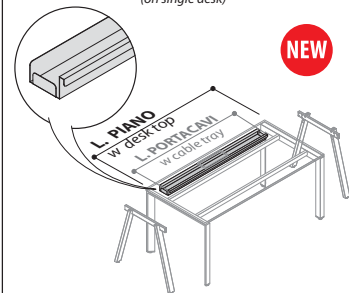

DESCRIZIONE description	L w	CODICE code	KG	M <sup>3</sup>	COLLI	PREZZO price	(*) CODICE FINITURA (* finish code)																					
PIANO TERMINALE PER BENCH PROF. CM 165,2 terminal desktop for bench 80+80 cms    L.165,2 x p.80 x H.	PIANO sp. 18mm top thick. 18mm																											
	L.165,2	153 <b>829</b> (*)	16	0,064	1	€ 72,00																						
	PIANO sp. 25mm top thick. 25mm																											
	L.165,2	152 <b>415</b> (*)	23	0,064	1	€ 87,00																						
							<table border="1"> <thead> <tr> <th>(*)</th> <th>PIANO</th> <th>top</th> </tr> </thead> <tbody> <tr> <td>166</td> <td>NOCE PAVIA</td> <td>pavia walnut</td> </tr> <tr> <td>400</td> <td>BIANCO BR.</td> <td>br. white</td> </tr> <tr> <td>704</td> <td>ROVERE GREY</td> <td>grey oak</td> </tr> <tr> <td>733</td> <td>ROVERE</td> <td>oak</td> </tr> <tr> <td>844</td> <td>STONE GREY</td> <td>stone grey</td> </tr> <tr> <td>900</td> <td>WENGE'</td> <td>wenge</td> </tr> </tbody> </table>	(*)	PIANO	top	166	NOCE PAVIA	pavia walnut	400	BIANCO BR.	br. white	704	ROVERE GREY	grey oak	733	ROVERE	oak	844	STONE GREY	stone grey	900	WENGE'	wenge
(*)	PIANO	top																										
166	NOCE PAVIA	pavia walnut																										
400	BIANCO BR.	br. white																										
704	ROVERE GREY	grey oak																										
733	ROVERE	oak																										
844	STONE GREY	stone grey																										
900	WENGE'	wenge																										



↔ = VENATURA LEGNO / wood veining

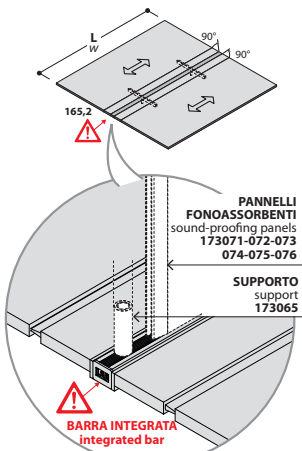

## PIANI SCRIVANIE PER TOP ACCESS CON CHIUSURA AMMORTIZZATA

desktops for top-access with soft-close

DESCRIZIONE description	L w	CODICE code	KG	M <sup>3</sup>	COLLI	PREZZO price	(*) CODICE FINITURA (* finish code)	
TOP-ACCESS CON CHIUSURA AMMORTIZZATA top-access with soft-close    L.32 x p.13 x H.2,7	L.32	173 058 (*)	0,5	0,001	1	€ 45,00	(*)	
							000 ARGENTO silver	
							400 BIANCO white	
							551 ANTRACITE anthracite	
						844 STONE GREY stone grey		
PIANI SCRIVANIE PROF. CM 60 desktops depth 60 cms    L. x p.60 x H.1,8		PIANO sp. 18mm top thick. 18mm					(*)	
	L.120	173 100 (*)	11	0,032	1	€ 51,00	PIANO	
	L.140	173 101 (*)	12	0,037	1	€ 57,00	top	
	L.160	173 102 (*)	14	0,042	1	€ 64,00	166 NOCE PAVIA pavia walnut	
	L.180	173 103 (*)	16	0,047	1	€ 71,00	400 BIANCO BR. br. white	
COMPLETARE SEMPRE CON TOP-ACCESS ART.058 always complete with top access ART. 058							704 ROVERE GREY grey oak	
PIANI SCRIVANIE PROF. CM 80 desktops depth 80 cms    L. x p.80 x H.1,8		PIANO sp. 18mm top thick. 18mm					(*)	
	L.120	173 105 (*)	14	0,042	1	€ 64,00	PIANO	
	L.140	173 106 (*)	14	0,048	1	€ 72,00	top	
	L.160	173 107 (*)	16	0,055	1	€ 81,00	166 NOCE PAVIA pavia walnut	
	L.180	173 108 (*)	18	0,062	1	€ 90,00	400 BIANCO BR. br. white	
COMPLETARE SEMPRE CON TOP-ACCESS ART.058 always complete with top access ART. 058							704 ROVERE GREY grey oak	
CANALE PORTACAVI PER PIANO CON TOP-ACCESS (SU SCRIVANIA SINGOLA) cable tray for desk top with top-access (on single desk)    L. x p.13,2 x H.7,4	PORTACAVI cable tray	PIANO desk top					(*)	
	L.98	L.120	173 067 (*)	2,6	0,010	1	€ 31,00	PIANO
	L.118	L.140	173 068 (*)	3,1	0,011	1	€ 36,00	top
	L.138	L.160	173 069 (*)	3,7	0,013	1	€ 40,00	166 NOCE PAVIA pavia walnut
	L.158	L.180	173 070 (*)	4,2	0,015	1	€ 44,00	400 BIANCO white
COMPLETARE SEMPRE CON TOP-ACCESS ART.058 always complete with top access ART. 058							551 ANTRACITE anthracite	
 <b>NON SONO UTILIZZABILI INSIEME A PANNELLI FRONTALI O SCHIENE</b> DO NOT USE TOGETHER WITH FRONT PANELS OR MODESTY PANEL							844 STONE GREY stone grey	

## PIANI BENCH PROF. CM 165,2 CON BARRA CENTRALE E TOP ACCESS A RIBALTA

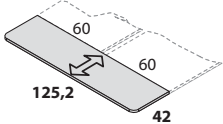
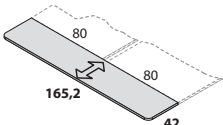
bench tops depth 165,2 cms with central bar and top access tip-up door

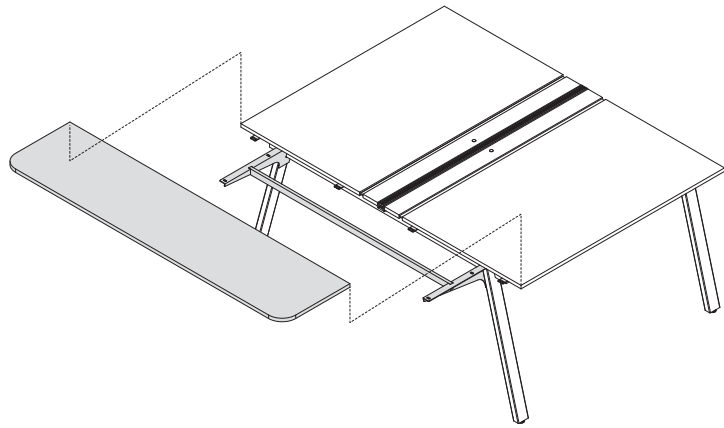
DESCRIZIONE description	L w	CODICE code	KG	M <sup>3</sup>	COLLI	PREZZO price	(*) CODICE FINITURA (* finish code)
PIANI BENCH PROF. CM 165,2 (CON BARRA CENTRALE E TOP ACCESS INTEGRATI) bench tops depth 165,2 cms (with integrated central bar and top access)    L. x p.165,2 x H.1,8		PIANO sp. 18mm top thick. 18mm					(*)
	L.120	173 110 (*)	33	0,087	4	€ 303,00	PIANO
	L.140	173 111 (*)	36	0,102	4	€ 333,00	top
	L.160	173 112 (*)	41	0,113	4	€ 361,00	166 NOCE PAVIA pavia walnut
	L.180	173 113 (*)	47	0,126	4	€ 390,00	400 BIANCO BR. br. white
LA BARRA CENTRALE INTEGRATA PERMETTE IL FISSAGGIO DEL SUPPORTO LAMPADA O BRACCIO PORTA-MONITOR E PANNELLI FRONTALI FONOASSORBENTI (PAG.39-40) the integrated central bar allows the fixing of the lamp support or video-stand arm support and front sound-proofing panels (pag.39-40)							704 ROVERE GREY grey oak
 <b>NON SONO UTILIZZABILI INSIEME A PANNELLI FRONTALI O SCHIENE</b> DO NOT USE TOGETHER WITH FRONT PANELS OR MODESTY PANEL							733 ROVERE oak
							844 STONE GREY stone grey
							900 WENGE' wenge



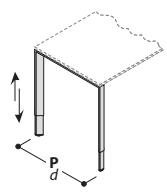
**PENISOLE SOLO PER BENCH CON CAVALLETTI**

*terminals for benches for gantries legs ONLY!*

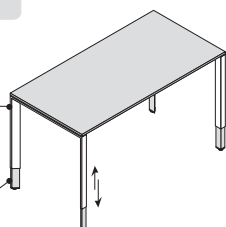
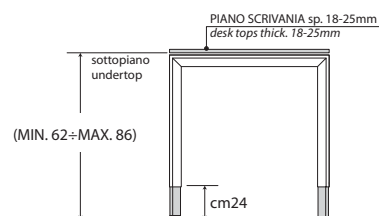
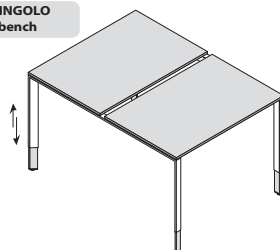
DESCRIZIONE <i>description</i>	L <i>w</i>	CODICE <i>code</i>	KG	M <sup>3</sup>	COLLI	PREZZO <i>price</i>	(*) CODICE FINITURA <i>(*) finish code</i>			
							PIANO	STAFFE-TRAVE	top	stirrups-beam
PENISOLE PER BENCH CON CAVALLETTI PROF. CM 125,2 (COMPLETE DI STAFFE E TRAVE) <i>terminal for bench with gantries depth 125,2 cms                      (with stirrups and beam)</i>    L.125,2 x p.42 x H.1,8		PIANO sp. 18mm top thick. 18mm <b>173 116 (*)</b>	16	0,046	3	<b>€ 97,00</b>				
PENISOLE PER BENCH CON CAVALLETTI PROF. CM 165,2 (COMPLETE DI STAFFE E TRAVE) <i>terminal for bench depth 165,2 cms                      (with stirrups and beam)</i>    L.165,2 x p.42 x H.1,8		PIANO sp. 18mm top thick. 18mm <b>173 117 (*)</b>	22	0,051	3	<b>€ 116,00</b>				

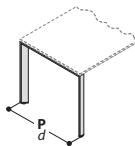
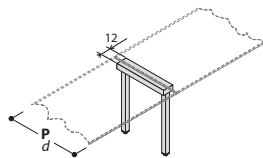
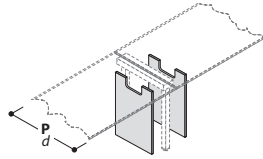


**GAMBE METALLICHE A PONTE CON ALTEZZA REGOLABILE***bridge metal legs with adjustable height*

DESCRIZIONE <i>description</i>	L <i>w</i>	CODICE <i>code</i>	KG	M <sup>3</sup>	COLLI	PREZZO <i>price</i>	(*) CODICE FINITURA <i>(*) finish code</i>		
							(*)		
GAMBE TERMINALI CON ALTEZZA REGOLABILE PER SCRIVANIE O BENCH SINGOLI <i>terminal legs with adjustable height            for single desk or single bench</i>  MIN H.62=MAX H.86	p.60	153 740 (*)	7	0,037	1	€ 166,00	(*) 000 ARGENTO <i>silver</i> 400 BIANCO <i>white</i> 551 ANTRACITE <i>anthracite</i> 844 STONE GREY <i>stone grey</i>		
	p.80	153 741 (*)	8	0,049	1	€ 177,00			
	p.125	153 743 (*)	11	0,077	1	€ 213,00			
	p.165	153 744 (*)	11	0,098	1	€ 239,00			
	ELEMENTO TELESCOPICO INTERNO SEMPRE COLORE ARGENTO <i>inside telescopic element is always in silver colour</i>								

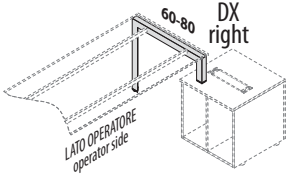
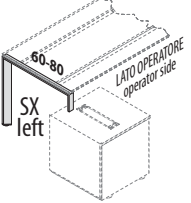
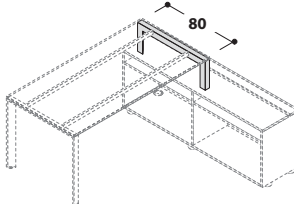
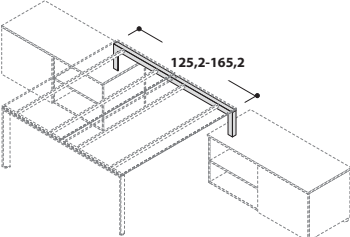
**SCRIVANIA SINGOLA**  
*single desk*
 ARGENTO  
 BIANCO  
 ANTRACITE  
 STONE GREY  
*silver  
 white  
 anthracite  
 stone grey*

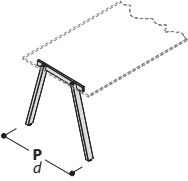
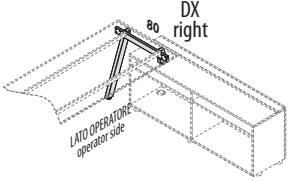
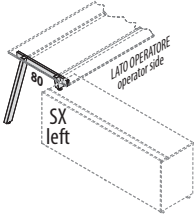
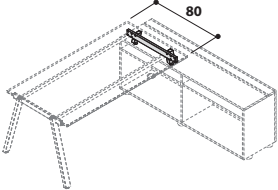
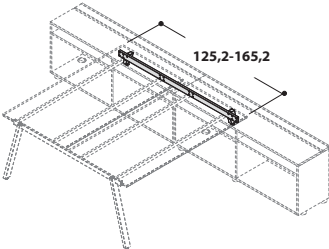
 ARGENTO  
*silver*
**BENCH SINGOLO**  
*single bench***GAMBE METALLICHE A PONTE E KIT WIRE-MANAGER***bridge metal legs and wire-manager kit*

DESCRIZIONE <i>description</i>	L <i>w</i>	CODICE <i>code</i>	KG	M <sup>3</sup>	COLLI	PREZZO <i>price</i>	(*) CODICE FINITURA <i>(*) finish code</i>		
							(*)		
GAMBE TERMINALI <i>terminal legs</i>  H.71	p.60	153 700 (*)	7	0,037	1	€ 96,00	(*) 000 ARGENTO <i>silver</i> 400 BIANCO <i>white</i> 551 ANTRACITE <i>anthracite</i> 844 STONE GREY <i>stone grey</i>		
	p.80	153 701 (*)	8	0,049	1	€ 106,00			
	p.125	153 702 (*)	11	0,077	1	€ 128,00			
	p.165	153 703 (*)	13	0,098	1	€ 152,00			
GAMBE CENTRALI APERTE <i>open central legs</i>  H.71	p.80	153 707 (*)	7	0,062	1	€ 77,00	(*) 000 ARGENTO <i>silver</i> 400 BIANCO <i>white</i> 551 ANTRACITE <i>anthracite</i> 844 STONE GREY <i>stone grey</i>		
	p.125	153 708 (*)	11	0,108	1	€ 106,00			
	p.165	153 709 (*)	15	0,149	1	€ 120,00			
KIT WIRE-MANAGER PER GAMBA A PONTE CENTRALE <i>wire-management kit for central bridge leg</i>  H.71	p.80	153 737 (*)	7	0,026	1	€ 98,00	(*) 000 ARGENTO <i>silver</i> 400 BIANCO <i>white</i> 551 ANTRACITE <i>anthracite</i> 844 STONE GREY <i>stone grey</i>		
	p.125	153 738 (*)	10	0,046	1	€ 117,00			
	p.165	153 739 (*)	12	0,068	1	€ 119,00			

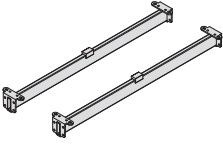
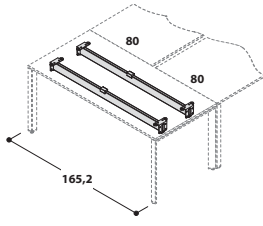


**GAMBE METALLICHE A PONTE TERMINALI DA APPOGGIO***short terminal bridge metal legs*

DESCRIZIONE <i>description</i>	L <i>w</i>	CODICE <i>code</i>	KG	M <sup>3</sup>	COLLI	PREZZO <i>price</i>	(*) CODICE FINITURA <i>(*) finish code</i>
GAMBE TERMINALI <b>DX</b> DA APPOGGIO <i>right short terminal legs</i>  H.71	<b>DX right</b> p.60	<b>153 801 (*)</b>	6	0,037	1	<b>€ 95,00</b>	(*) <b>000</b> ARGENTO <i>silver</i> <b>400</b> BIANCO <i>white</i> <b>551</b> ANTRACITE <i>anthracite</i> <b>844</b> STONE GREY <i>stone grey</i>
		p.80	<b>153 803 (*)</b>	7	0,049	1	
	DA UTILIZZARE IN APPOGGIO SU MOBILI DI SERVIZIO O PORTA CPU (VEDI DA PAG.65 A 68) <i>put on service units or cpu-holder (please, you see pages from 65 to 68)</i>						
GAMBE TERMINALI <b>SX</b> DA APPOGGIO <i>left short terminal legs</i>  H.71	<b>SX left</b> p.60	<b>153 802 (*)</b>	6	0,037	1	<b>€ 95,00</b>	
		p.80	<b>153 804 (*)</b>	7	0,049	1	<b>€ 105,00</b>
	DA UTILIZZARE IN APPOGGIO SU MOBILI DI SERVIZIO O PORTA CPU (VEDI DA PAG.65 A 68) <i>put on service units or cpu-holder (please, you see pages from 65 to 68)</i>						
GAMBA TERMINALE DA APPOGGIO PER SCRIVANIA <i>short terminal leg for desk</i>  H.8,8	p.80	<b>153 807 (*)</b>	4	0,021	1	<b>€ 90,00</b>	
	DA UTILIZZARE IN APPOGGIO SU MOBILI DI SERVIZIO O PORTA CPU (VEDI DA PAG.65 A 68) <i>put on service units or cpu-holder (please, you see pages from 65 to 68)</i>						
GAMBE TERMINALI DA APPOGGIO PER BENCH <i>short terminal legs for bench</i>  H.8,8	p.125	<b>153 805 (*)</b>	9	0,040	1	<b>€ 126,00</b>	
	p.165	<b>153 806 (*)</b>	10	0,051	1	<b>€ 150,00</b>	
	DA UTILIZZARE IN APPOGGIO SU MOBILI DI SERVIZIO O PORTA CPU (VEDI DA PAG.65 A 68) <i>put on service units or cpu-holder (please, you see pages from 65 to 68)</i>						

CAVALLETTI gantries legs								
DESCRIZIONE description	L w	CODICE code	KG	M <sup>3</sup>	COLLI	PREZZO price	(*) CODICE FINITURA (* finish code)	
CAVALLETTI TERMINALI terminal gantries legs    H.71	p.80	173 050 (*)	9	0,045	1	€ 106,00	(*)	
	p.125	173 051 (*)	13	0,071	1	€ 128,00	000 ARGENTO silver	
	p.165	173 052 (*)	18	0,094	1	€ 155,00	400 BIANCO white	
							551 ANTRACITE anthracite	
							844 STONE GREY stone grey	
CAVALLETTI DA APPOGGIO gantries legs								
CAVALLETTO DX DA APPOGGIO right short gantry leg    H.71	DX right p.80	173 053 (*)	7	0,037	1	€ 93,00		
	DA UTILIZZARE IN APPOGGIO SU MOBILI DI SERVIZIO O PORTA CPU (VEDI DA PAG.65 A 68) <i>put on service units or cpu-holder (please, you see pages from 65 to 68)</i>							
CAVALLETTO SX DA APPOGGIO left short gantry leg    H.71	SX left p.80	173 054 (*)	7	0,037	1	€ 93,00		
	DA UTILIZZARE IN APPOGGIO SU MOBILI DI SERVIZIO O PORTA CPU (VEDI DA PAG.65 A 68) <i>put on service units or cpu-holder (please, you see pages from 65 to 68)</i>							
CAVALLETTO SCRIVANIA DA APPOGGIO short terminal leg for desk    H.71	p. 80	173 057 (*)	3	0,015	1	€ 73,00	(*)	
	DA UTILIZZARE IN APPOGGIO SU MOBILI DI SERVIZIO O PORTA CPU (VEDI DA PAG.65 A 68) <i>put on service units or cpu-holder (please, you see pages from 65 to 68)</i>							000 ARGENTO silver
								400 BIANCO white
CAVALLETTO BENCH DA APPOGGIO short terminal legs    H.71	p.125	173 055 (*)	6	0,013	1	€ 94,00	551 ANTRACITE anthracite	
	p.165	173 056 (*)	6	0,018	1	€ 105,00	844 STONE GREY stone grey	
	DA UTILIZZARE IN APPOGGIO SU MOBILI DI SERVIZIO O PORTA CPU (VEDI DA PAG.65 A 68) <i>put on service units or cpu-holder (please, you see pages from 65 to 68)</i>							



TRAVI DI SUPPORTO support beams								
DESCRIZIONE description	L w	CODICE code	KG	M <sup>3</sup>	COLLI	PREZZO price	(*) CODICE FINITURA (* finish code)	
COPPIA DI TRAVI PER GAMBE A PONTE O CAVALLETTI set of 2 beams for bridge legs or gantries  	PER PIANI for desktops							
	L.100	153 720 (*)	2	0,016	1	€ 61,00		
	L.120	153 721 (*)	3	0,021	1	€ 68,00		
	L.140	153 722 (*)	4	0,024	1	€ 74,00		
	L.160	153 723 (*)	5	0,027	1	€ 81,00		
	L.180	153 724 (*)	6	0,027	1	€ 89,00		
	PER UTILIZZO VEDI SCHEMA PAGINE 49-50 for use you see scheme to pages 49-50							
							(*)	
							000	ARGENTO silver
							400	BIANCO white
							551	ANTRACITE anthracite
							844	STONE GREY stone grey
COPPIA DI TRAVI PER SCRIVANIE TERMINALI set of 2 beams for terminal desks  	PER PIANI for desktops							
	L.165,2	153 734 (*)	4	0,022	1	€ 88,00		

## VASCHEE CENTRALI PASSA-CAVI PER BENCH E SCRIVANIE SINGOLE

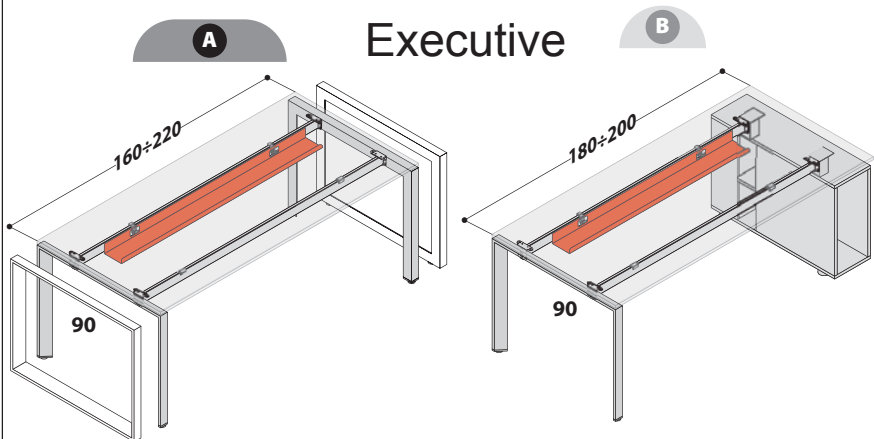
central cable trays for bench and single desks

DESCRIZIONE description	L w	L w	CODICE code	KG	M <sup>3</sup>	COLLI	PREZZO price	(*) CODICE FINITURA (*) finish code			
VASCHEE CENTRALI PASSACAVI <b>PER BENCH</b> central cable trays for bench		L.90	153 240 (*)	1,5	0,013	1	€ 42,00				
		L.121	153 242 (*)	1,5	0,022	1	€ 51,00				
	<b>PER UTILIZZO VEDI SCHEMI A PAGINE 49-50</b> for use you see schemes to pages 49-50										
	<b>ABBINAMENTO A:</b> for combining with: <b>COMPLETARE SEMPRE CON:</b> always complete with:										
	<b>A) BENCH</b>										
	COPERTURA DA ART.200 A ART.223 (PAG.33) <small>cover from art.200 to art.223 (page 33)</small>								(*)		
	PANNELLO FRONTALE + COPERTURA DA ART.500 A ART.513 (PAG.33) <small>front panel + cover from art.500 to art.513 (page 33)</small>								000	ARGENTO	silver
	BARRA ATTREZZABILE + COPERTURA DA ART.400 A ART.403 (PAG.35) <small>toolbars + cover from art.400 to art.403 (page 35)</small>								400	BIANCO	white
	PANNELLO FRONTALE CON BARRA ATTREZZABILE + COPERTURA DA ART.304 A ART.363 (PAG.37) <small>front panel + cover from art.304 to art.363 (page 37)</small>								551	ANTRACITE	anthracite
	BARRA ATTREZZABILE DA ART.173060 A ART.173063 (PAG.39) <small>toolbars from art.173060 to art.173063 (page 39)</small>								844	STONE GREY	stone grey
<b>PER UTILIZZO SENZA COPERTURA SCEGLIERE TRA L'OPZIONE &lt;A&gt; OPPURE &lt;B&gt;</b> for use without cover, please you choose between option <A> or <B>											
<span style="border: 1px solid black; padding: 2px;">&lt;A&gt;</span> KIT 2 STAFFE ART.726 <small>set of 2 stirrups art.726</small>											
<span style="border: 1px solid black; padding: 2px;">&lt;B&gt;</span> KIT 2 TRAVERSI ART.719 <small>set of 2 metal crossbars art.719</small>											
<b>PER UTILIZZO VEDI SCHEMI A PAGINE 49-50</b> for use you see schemes to pages 49-50											
KIT 2 STAFFE PER VASCHEE CENTRALI ART.240-242 <b>(SENZA COPERTURA)</b> set of 2 stirrups for cable-trays art.240-242 (without cover profile)	<b>UTILIZZABILE SOLO SU BENCH CON PIANI FISSI SENZA COPERTURA</b> use on bench with fixed tops only, without cover profile!										
	<span style="border: 1px solid black; padding: 2px;">&lt;A&gt;</span> 153 726 (*)      1,5      0,001      1      € 15,00										
	(*)      ARGENTO      silver										
KIT 2 TRAVERSI PER VASCHEE CENTRALI ART.240-242 <b>(SENZA COPERTURA)</b> set of 2 metal crossbars for cable-trays art.240-242 (without cover profile)	<b>UTILIZZABILE SU BENCH CON PIANI FISSI E SCORREVOLI SENZA COPERTURA</b> use on bench with fixed and sliding tops without cover profile										
	<span style="border: 1px solid black; padding: 2px;">&lt;B&gt;</span> 153 719 (*)      1,5      0,001      1      € 24,00										
	(*)      ARGENTO      silver										
VASCHEE PASSACAVI PER SCRIVANIE SINGOLE cable tray for single desk	L. VASCHEE w cable tray		PER TRAVI for beams								
	L.70	L.100	152 682 (*)	1,5	0,014	1	€ 21,00				
	L.90	L.120	152 683 (*)	1,5	0,015	1	€ 26,00				
	L.110	L.140	152 684 (*)	2	0,015	1	€ 32,00	(*)			
	L.130	L.160	152 685 (*)	2	0,021	1	€ 39,00	000	ARGENTO	silver	
	L.150	L.180	152 686 (*)	2	0,021	1	€ 45,00	400	BIANCO	white	
	L.170	L.200	152 687 (*)	2,5	0,027	1	€ 53,00	551	ANTRACITE	anthracite	
	L.190	L.220	152 688 (*)	2,5	0,027	1	€ 57,00	844	STONE GREY	stone grey	
	<b>PER UTILIZZO VEDI SCHEMI A PAGINE 49-50</b> for use you see schemes to pages 49-50										

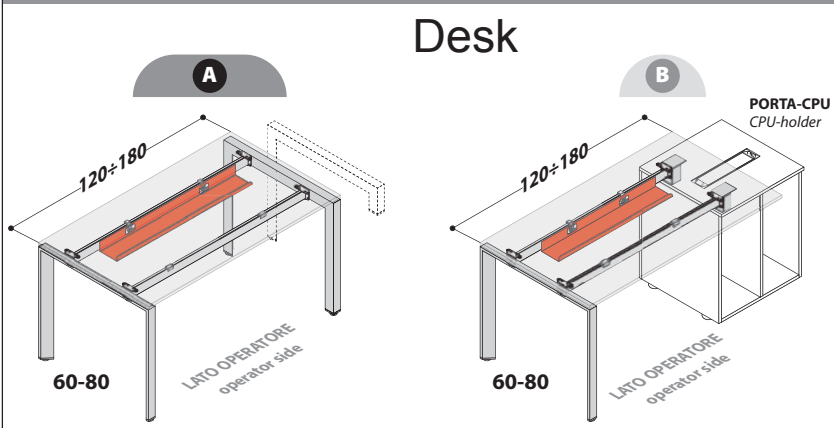




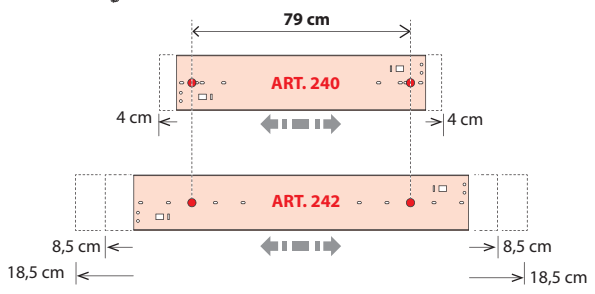
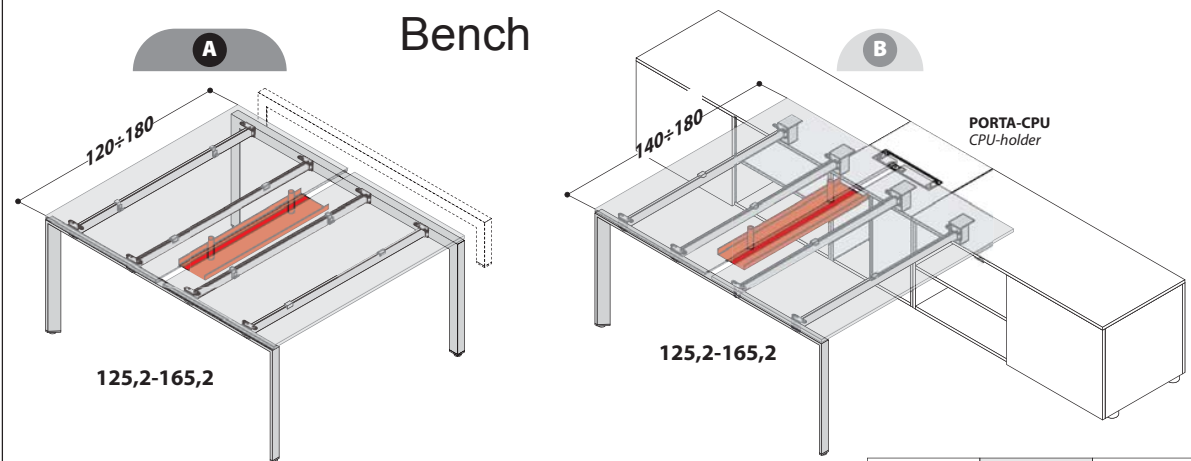
**SCHEMA DI UTILIZZO TRAVI E VASCHETTA PORTA-CAVI**  
*scheme of using support beams and cable-tray*



	PIANO desk top	VASCETTA PORTA-CAVI cable tray
<b>A</b>	L.160	ART. 685
	L.180	ART. 686
	L.200	ART. 687
	L.220	ART. 688
<b>B</b>	L.180	ART. 685
	L.200	ART. 686



	PIANO desk top	TRAVI beams	VASCETTA PORTA-CAVI cable tray
<b>A</b>	L.120	ART. 721	ART. 683
	L.140	ART. 722	ART. 684
	L.160	ART. 723	ART. 685
	L.180	ART. 724	ART. 686
<b>B</b>	L.120	ART. 720	ART. 682
	L.140	ART. 721	ART. 683
	L.160	ART. 722	ART. 684
	L.180	ART. 723	ART. 685

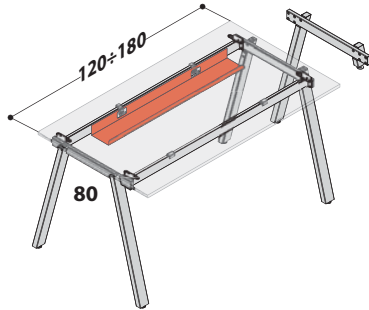


	PIANO desk top	TRAVI beams	VASCETTA CENTRALE PORTA-CAVI central cable tray
<b>A</b>	L.120	ART. 721	ART. 240
	L.140	ART. 722	ART. 240
	L.160	ART. 723	ART. 242
	L.180	ART. 724	ART. 242
<b>B</b>	L.140	ART. 721	ART. 240
	L.160	ART. 722	ART. 240
	L.180	ART. 723	ART. 242

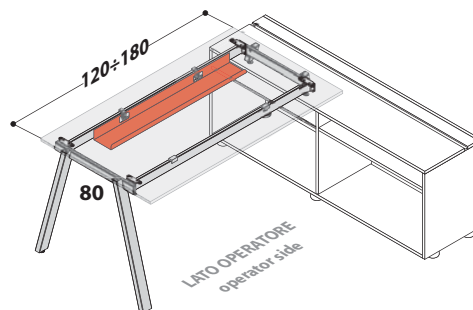
**SCHEMA DI UTILIZZO TRAVI E VASCHETTE PORTA-CAVI SU SCRIVANIE E BENCH CON CAVALLETTI**  
*schema of using support beams and cable-tray on desks or bench with gantries*

**Desk**

**A**



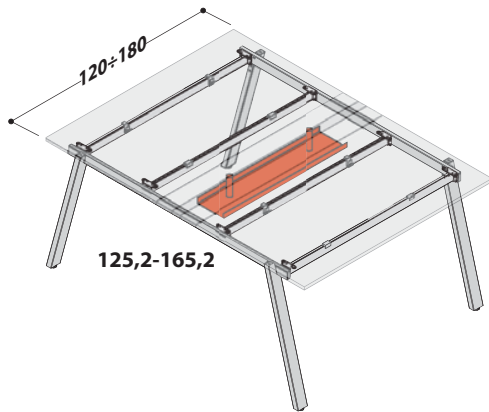
**B**



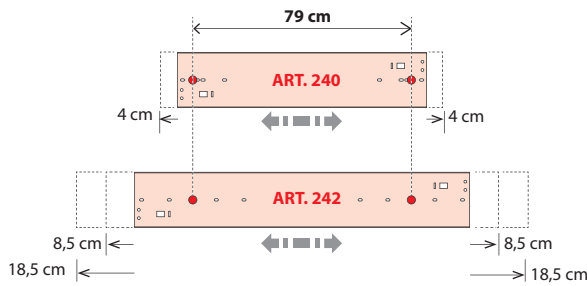
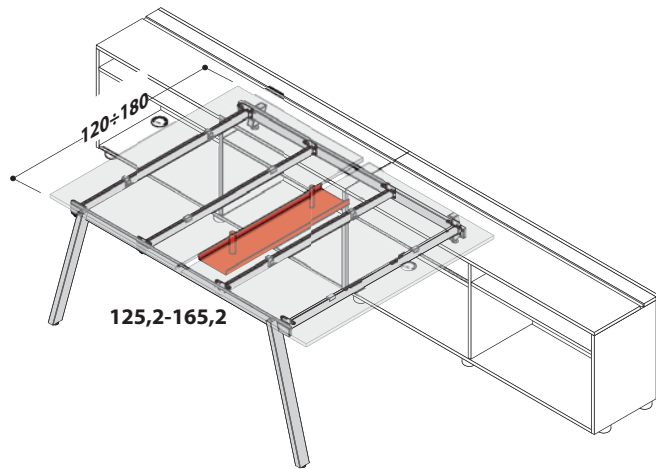
	PIANO desk top	TRAVI beams	VASCHETTA PORTA-CAVI cable tray
<b>A</b>	L.120	ART. 721	ART. 683
	L.140	ART. 722	ART. 684
<b>B</b>	L.160	ART. 723	ART. 685
	L.180	ART. 724	ART. 686

**Bench**

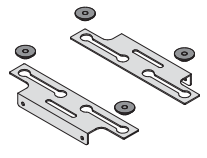
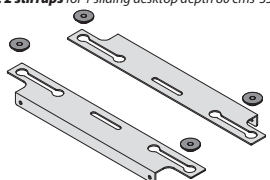
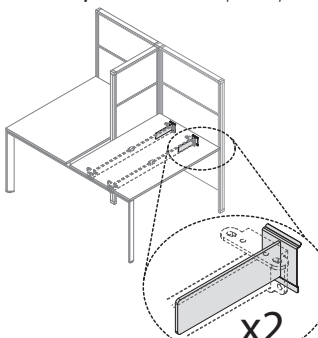
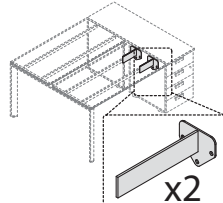
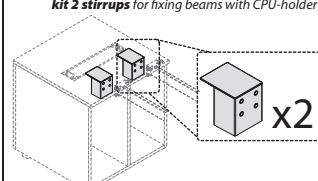
**A**



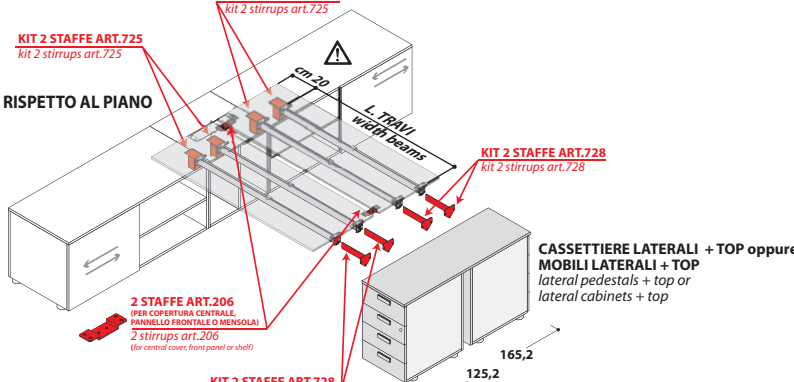
**B**



	PIANO desk top	TRAVI beams	VASCHETTA CENTRALE PORTA-CAVI central cable tray
<b>A</b>	L.120	ART. 721	ART. 240
	L.140	ART. 722	ART. 240
<b>B</b>	L.160	ART. 723	ART. 242
	L.180	ART. 724	ART. 242

STAFFE stirrups							
DESCRIZIONE description	L w	CODICE code	KG	M <sup>3</sup>	COLLI	PREZZO price	(*) CODICE FINITURA (* finish code)
<b>KIT 2 STAFFE PER 1 PIANO SCORREVOLE PROF. CM 60</b> <i>kit 2 stirrups for 1 sliding desktop depth 60 cms</i>  L.29		PROF. CM 60 depth 60 cms					
	L.29	153 748 (*)	2	0,003	1	€ 55,00	
FISSAGGIO SU 2 GAMBE A PONTE O CAVALLETTI fixing with 2 bridge legs or gantries							
<b>KIT 2 STAFFE PER 1 PIANO SCORREVOLE PROF. CM 80-90</b> <i>kit 2 stirrups for 1 sliding desktop depth 80 cms-35½"</i>  L.48		PROF. CM 80-90 depth 80-90 cms					
	L.48	153 749 (*)	2	0,005	1	€ 68,00	
FISSAGGIO SU 2 GAMBE A PONTE O CAVALLETTI fixing with 2 bridge legs or gantries							
<b>KIT 2 STAFFE PER ATTACCO TRAVI A PARETINA</b> <i>kit 2 stirrups for connection with to partition panels</i>  x2							(*)
		153 718 (*)	2	0,006	1	€ 30,00	000 ARGENTO silver
400 BIANCO white							
551 ANTRACITE anthracite							
844 STONE GREY stone grey							
<b>KIT 2 STAFFE PER ATTACCO TRAVI SU CASSETTIERE LATERALI O MOBILI LATERALI</b> <i>kit 2 stirrups for fixing beams with lateral pedestals or lateral cabinets</i>  x2							
		153 728 (*)	2	0,006	1	€ 32,00	
<b>KIT 2 STAFFE PER ATTACCO TRAVI SU PORTA-CPU</b> <i>kit 2 stirrups for fixing beams with CPU-holder</i>  x2							
		153 725 (*)	2	0,001	1	€ 28,00	

**ATTENZIONE!**  
 UTILIZZARE TRAVI CON LUNGHEZZA INFERIORE DI 20 CM RISPETTO AL PIANO  
 ESEMPIO: CON PIANO L.160 UTILIZZARE TRAVI L.140  
 warning!  
 use 20 cms shorter beam respect the top  
 example: with w 160cms top use w 140cms beams



**KIT 2 STAFFE ART.725**  
 kit 2 stirrups art.725

**KIT 2 STAFFE ART.728**  
 kit 2 stirrups art.728

**2 STAFFE ART.206**  
 (PER COPERTURA CENTRALE, PANNELLO FRONTALE O MENSOLE)  
 2 stirrups art.206  
 (for central cover, front panel or shelf)

**CASSETTIERE LATERALI + TOP oppure MOBILI LATERALI + TOP**  
 lateral pedestals + top or lateral cabinets + top

165,2  
125,2



# System

# 5<sup>TH</sup> ELEMENT



## • MENSOLE

**MATERIALE:** Pannello di particelle di legno sp. 12mm  
**FINITURA:** Nobilitato in melaminico  
**COLORI:** Argento Golf  
**CARATTERISTICA:** Dotato di profilo orizzontale in alluminio estruso idoneo all'aggancio sulle paretine.  
Le mensole sono disponibili con o senza illuminazione inferiore a led.

## • SHELVES

**MATERIAL:** Particleboard panel thick. 12mm  
**FINISH:** Melamine-faced  
**COLOURS:** Golf Silver  
**FEATURE:** It is furnished with extruded aluminium profile to hook-up to the partition panels  
The shelves are available with or without under led lamp

## • PARETINE

**MATERIALE:** Telaio perimetrale in alluminio estruso con elementi di tamponamento realizzati in pannelli di particelle di legno sp. 25mm oppure metacrilato sp. 5 mm  
**FINITURA TAMPONAMENTI:** Disponibile in 3 tipologie  
1) Nobilitato in melaminico: Bianco Br., Wengè, Noce Pavia, Stone grey, Rovere, Rovere grey.  
2) Rivestito in tessuto, (Cat. D) STRETCH  
3) Metacrilato: bianco  
**CARATTERISTICA:**  
Utilizzo come sostegno strutturale di piani di lavoro. Dotate di piedini livellatori.  
Le traverse orizzontali, in plastica estrusa, consentono l'aggancio di mensole e pensili porta-dox.

## • PARTITION PANELS

**MATERIAL:** aluminium frame with particleboard panel 25 mm thick or methacrylate panel thick 5mm  
**FINISH:** Available in 3 kinds:  
1) Melamine-faced: Br. White, Wengè, Pavia walnut, Stone grey, Oak, Grey oak.  
2) Covered by fabric, (Cat. D) STRETCH  
3) Methacrylate: White  
**FEATURE:**  
They're used as support. Adjustable feet included.  
The horizontal cross-bars, made of extruded plastic profile, allows quick snapping of shelves and suspended units.





#### • GAMBA A CORNICE

**MATERIALE:** Tubolare metallico a sezione rettangolare e quadrata  
**FINITURA:** Verniciatura a polveri epossidiche nel colore Argento.  
**CARATTERISTICA:** Predisposta per il fissaggio delle travi portanti e dei piani. Dotata di piedini livellatori. Aggancio rapido alla paretina

#### • FRAME LEG

**MATERIAL:** Metallic tubular with rectangular and squared section  
**FINISH:** Painted with epoxy resin powder in colour Silver.  
**FEATURE:** The leg is predisposed for to fix the supporting beams and tops. Adjustable feet included. Quick snapping to the partition panels.

#### • CANALINA PASSA-CAVI PER PARETINA

**MATERIALE:** Profilo in plastica estrusa  
**COLORE:** Argento  
**CARATTERISTICA:** Aggancio su traversa della paretina.

#### • CABLEWAY FOR PARTITION PANEL

**MATERIAL:** Extruded plastic profile  
**COLOURS:** Silver  
**FEATURE:** It is hooked up the cross-bar of the partition panel.

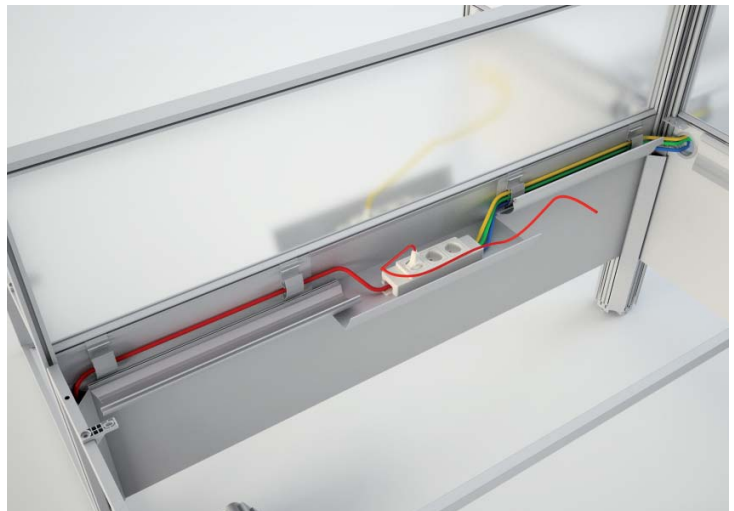


#### • TOP ACCESS

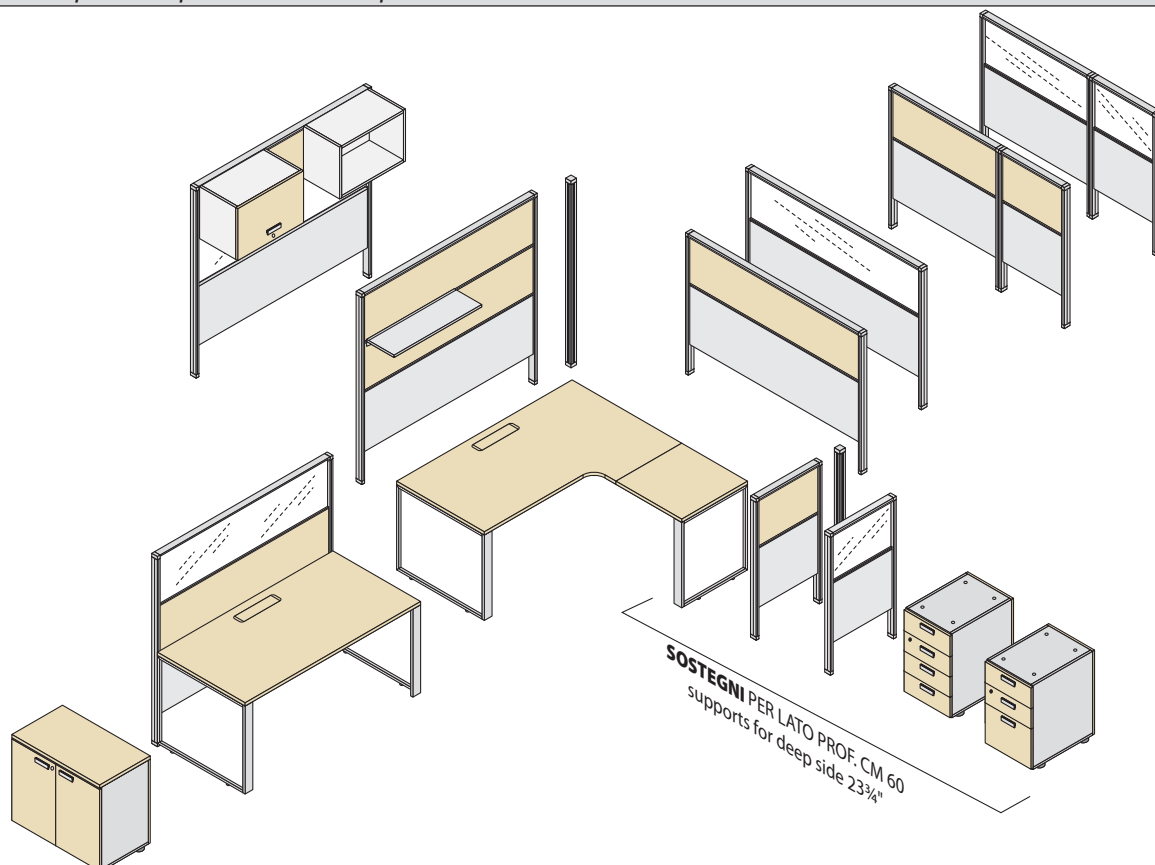
**MATERIALE:** Cornice in plastica stampata e coperchio realizzato con pannello di particelle di legno sp. 8mm  
**COLORI:** Cornice Argento e coperchio Bianco Br., Wengè, Noce Pavia, Stone grey, Rovere, Rovere grey.  
**CARATTERISTICA:** Coperchio dello stesso colore dei piani.

#### • TOP ACCESS

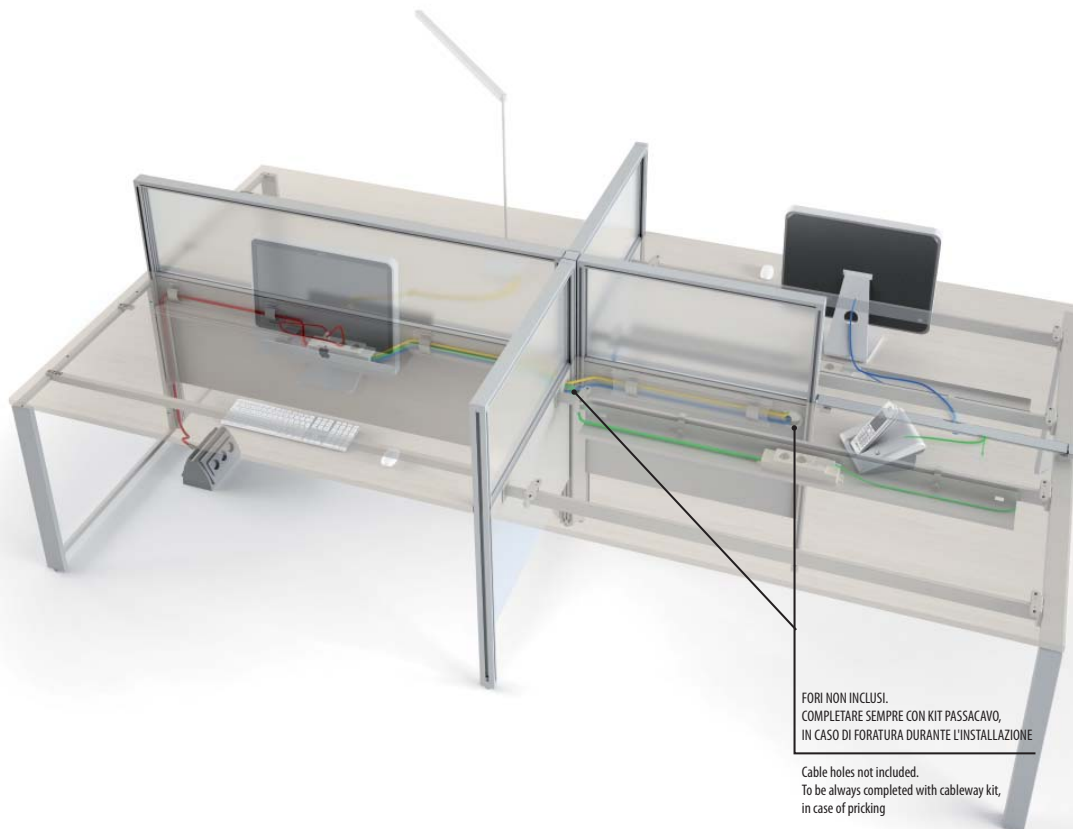
**MATERIAL:** Plastic frame and cover made of particleboard panel 8mm thick.  
**COLOURS:** Silver frame and cover Br. White, Wengè, Pavia walnut, Stone grey, Oak, Grey oak.  
**FEATURE:** Cover is same colour of the tops.



**SCHEMA BASAMENTI SOTTOPIANO E PARETINE UTILIZZABILI PER SUPPORTARE PIANI DI LAVORO**  
*base and partition panels for work tops*

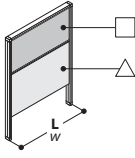
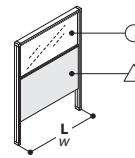


• **ESEMPIO ELETRIFICAZIONE COMPLESSIVA DEL SYSTEM**  
 • **EXAMPLE ELECTRIFICATION SYSTEM**



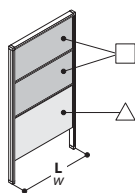
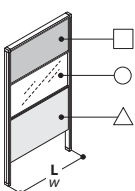
**MODULI PARETINE H.111**

partition panels h.111 cms

DESCRIZIONE description	L w	CODICE code	KG	M <sup>3</sup>	COLLI PCS	PREZZO price	(*) CODICE FINITURA (* finish code)	
MODULI CIECHI H.111 blind modules h.111 cms  	<b>MELAMINICO melamine</b>						(*)	
	L.60	152	<b>790 (*)</b>	14	0,050	1	€ 121,00	003 ROVERE oak
	L.80	152	<b>792 (*)</b>	16	0,066	1	€ 138,00	004 ROVERE GREY grey oak
	L.100	152	<b>794 (*)</b>	19	0,082	1	€ 153,00	040 BIANCO BR. br. white
	L.120	152	<b>795 (*)</b>	22	0,098	1	€ 167,00	044 STONE GREY stone grey
	L.140	152	<b>796 (*)</b>	25	0,114	1	€ 188,00	066 NOCE PAVIA pavia walnut
	L.160	152	<b>797 (*)</b>	27	0,130	1	€ 201,00	090 WENGE' wenge
	L.180	152	<b>798 (*)</b>	29	0,150	1	€ 214,00	△ PANNELLO INFERIORE MELAMINICO COLORE ARGENTO GOLF lower melamine panel in golf silver colour
N.B. : PER ANCORAGGIO PIANI <b>COMPLETARE SEMPRE</b> CON SET PIASTRINI (vedi schema pag.61) to anchor the tops <b>complete always</b> with set of plates (see scheme page 61)	<b>TESSUTO fabric</b>						<b>CAT. D - STRETCH</b>	
	L.60	152	<b>940 (*)</b>	14	0,050	1	€ 151,00	585 AVORIO ivory
	L.80	152	<b>942 (*)</b>	16	0,066	1	€ 176,00	586 GRIGIO grey
	L.100	152	<b>944 (*)</b>	19	0,082	1	€ 201,00	587 ANTRACITE anthracite
	L.120	152	<b>945 (*)</b>	22	0,098	1	€ 222,00	588 NERO black
	L.140	152	<b>946 (*)</b>	25	0,114	1	€ 254,00	589 TORTORA grey beige
	L.160	152	<b>947 (*)</b>	27	0,130	1	€ 275,00	590 MARRONE brown
	L.180	152	<b>948 (*)</b>	29	0,150	1	€ 298,00	591 VERDE ACIDO acid green
							592 VERDE BOSCO wood green	
							593 AZZURRO SKY sky blue	
							594 BLU blue	
							595 GIALLO FRESIA freesia yellow	
							596 ARANCIO orange	
							597 ROSSO red	
							598 AMARANTO amaranth	
							△ PANNELLO INFERIORE MELAMINICO COLORE ARGENTO GOLF lower melamine panel in golf silver colour	
L. x p,5,2 x H.111								
MODULI H.111 CON ELEMENTO SUPERIORE IN METACRILATO modules h.111 cms with upper methacrylate element  	L.60	152	<b>800 (*)</b>	13	0,050	1	€ 143,00	(*)
	L.80	152	<b>802 (*)</b>	15	0,066	1	€ 176,00	000 METACRILATO BIANCO white methacrylate
	L.100	152	<b>804 (*)</b>	18	0,082	1	€ 198,00	△ PANNELLO INFERIORE MELAMINICO COLORE ARGENTO GOLF lower melamine panel in golf silver colour
	L.120	152	<b>805 (*)</b>	21	0,098	1	€ 250,00	
	L.140	152	<b>806 (*)</b>	24	0,114	1	€ 262,00	
	L.160	152	<b>807 (*)</b>	26	0,130	1	€ 302,00	
	L.180	152	<b>808 (*)</b>	28	0,150	1	€ 332,00	
L. x p,5,2 x H.111								

# MODULI PARETINE H.150

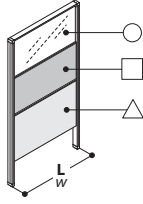
partition panels h.150 cms

DESCRIZIONE description	L w	CODICE code	KG	M <sup>3</sup>	COLLI PCS	PREZZO price	(*) CODICE FINITURA (*) finish code		
MODULO CIECO H.150 blind module h.150 cms   <p><b>N.B. : PER ANCORAGGIO PIANI COMPLETARE SEMPRE CON SET PIASTRINI (vedi schema pag.61) to anchor the tops complete always with set of plates (see scheme page 61)</b></p>	<b>MELAMINICO melamine</b>						(*) MELAMINICO melamine		
	L.60	152 910 (*)	19	0,067	1	€ 168,00	003	ROVERE	oak
	L.80	152 912 (*)	21	0,088	1	€ 191,00	004	ROVERE GREY	grey oak
	L.100	152 914 (*)	24	0,110	1	€ 215,00	040	BIANCO BR.	br. white
	L.120	152 915 (*)	27	0,131	1	€ 234,00	044	STONE GREY	stone grey
	L.140	152 916 (*)	30	0,152	1	€ 264,00	066	NOCE PAVIA	pavia walnut
	L.160	152 917 (*)	32	0,173	1	€ 280,00	090	WENGE'	wenge
	L.180	152 918 (*)	34	0,195	1	€ 298,00	PANNELLO INFERIORE MELAMINICO COLORE ARGENTO GOLF lower melamine panel in golf silver colour		
							<b>CAT. D - STRETCH</b>		
	L.60	152 950 (*)	19	0,067	1	€ 229,00	585	AVORIO	ivory
	L.80	152 952 (*)	21	0,088	1	€ 267,00	586	GRIGIO	grey
	L.100	152 954 (*)	24	0,110	1	€ 309,00	587	ANTRACITE	anthracite
	L.120	152 955 (*)	27	0,131	1	€ 344,00	588	NERO	black
	L.140	152 956 (*)	30	0,152	1	€ 396,00	589	TORTORA	grey beige
	L.160	152 957 (*)	32	0,173	1	€ 429,00	590	MARRONE	brown
	L.180	152 958 (*)	34	0,195	1	€ 465,00	591	VERDE ACIDO	acid green
							592	VERDE BOSCO	wood green
							593	AZZURRO SKY	sky blue
							594	BLU	blue
						595	GIALLO FRESIA	freesia yellow	
						596	ARANCIO	orange	
						597	ROSSO	red	
						598	AMARANTO	amaranth	
						PANNELLO INFERIORE MELAMINICO COLORE ARGENTO GOLF lower melamine panel in golf silver colour			
L. x p.5,2 x H.150									
MODULI H.150 CON ELEMENTO INTERMEDIO IN METACRILATO modules h.150 cms with intermediate methacrylate element   <p><b>N.B. : PER ANCORAGGIO PIANI COMPLETARE SEMPRE CON SET PIASTRINI (vedi schema pag.61) to anchor the tops complete always with set of plates (see scheme page 61)</b></p>	<b>MELAMINICO melamine</b>						(*) MELAMINICO melamine		
	L.60	152 920 (*)	18	0,067	1	€ 182,00	003	ROVERE	oak
	L.80	152 922 (*)	20	0,088	1	€ 219,00	004	ROVERE GREY	grey oak
	L.100	152 924 (*)	23	0,110	1	€ 246,00	040	BIANCO BR.	br. white
	L.120	152 925 (*)	26	0,131	1	€ 302,00	044	STONE GREY	stone grey
	L.140	152 926 (*)	29	0,152	1	€ 323,00	066	NOCE PAVIA	pavia walnut
	L.160	152 927 (*)	31	0,173	1	€ 365,00	090	WENGE'	wenge
	L.180	152 928 (*)	33	0,195	1	€ 399,00	PANNELLO INFERIORE MELAMINICO COLORE ARGENTO GOLF lower melamine panel in golf silver colour		
							<b>CAT. D - STRETCH</b>		
	L.60	152 960 (*)	18	0,067	1	€ 206,00	585	AVORIO	ivory
	L.80	152 962 (*)	20	0,088	1	€ 253,00	586	GRIGIO	grey
	L.100	152 964 (*)	23	0,110	1	€ 285,00	587	ANTRACITE	anthracite
	L.120	152 965 (*)	26	0,131	1	€ 348,00	588	NERO	black
	L.140	152 966 (*)	29	0,152	1	€ 376,00	589	TORTORA	grey beige
	L.160	152 967 (*)	31	0,173	1	€ 428,00	590	MARRONE	brown
	L.180	152 968 (*)	33	0,195	1	€ 468,00	591	VERDE ACIDO	acid green
							592	VERDE BOSCO	wood green
							593	AZZURRO SKY	sky blue
							594	BLU	blue
						595	GIALLO FRESIA	freesia yellow	
						596	ARANCIO	orange	
						597	ROSSO	red	
						598	AMARANTO	amaranth	
						PANNELLO INFERIORE MELAMINICO COLORE ARGENTO GOLF lower melamine panel in golf silver colour			
L. x p.5,2 x H.150									

△ = PANNELLO INFERIORE MELAMINICO COLORE ARGENTO GOLF / lower melamine panel in golf silver colour  
 □ = PANNELLO SUPERIORE MELAMINICO O TESSUTO / upper melamine or fabric panel  
 ○ = METACRILATO BIANCO / white methacrylate

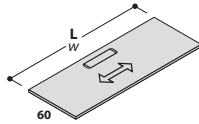
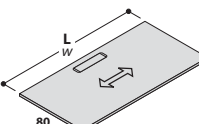
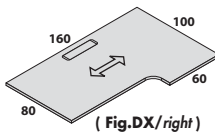


**MODULI PARETINE H.150***partition panels h.150 cms*

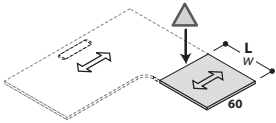
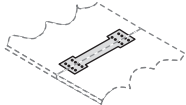
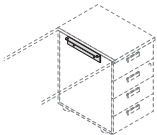
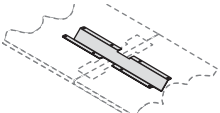
DESCRIZIONE <i>description</i>	L <i>w</i>	CODICE <i>code</i>	KG	M <sup>3</sup>	COLLI	PREZZO <i>price</i>	(*) CODICE FINITURA <i>(*) finish code</i>	
MODULI H.150 CON ELEMENTO SUPERIORE IN METACRILATO <i>modules h.150 cms with upper methacrylate element</i>    <div style="border: 1px solid black; padding: 2px; width: fit-content;"> <p>N.B. : PER ANCORAGGIO PIANI  <b>COMPLETARE SEMPRE</b>            CON SET PIASTRINI (vedi schema pag.61)  <i>to anchor the tops <b>complete always</b> with set of plates (see scheme page 61)</i></p> </div>  L. x p.5,2 x H.150		<b>MELAMINICO</b> <i>melamine</i>						
							<b>MELAMINICO</b> <i>melamine</i>	
	L.60	152 <b>930</b> (*)	19	0,067	1	€ 182,00	003 ROVERE	<i>oak</i>
	L.80	152 <b>932</b> (*)	21	0,088	1	€ 219,00	004 ROVERE GREY	<i>grey oak</i>
	L.100	152 <b>934</b> (*)	24	0,110	1	€ 246,00	040 BIANCO BR.	<i>br. white</i>
	L.120	152 <b>935</b> (*)	27	0,131	1	€ 302,00	044 STONE GREY	<i>stone grey</i>
	L.140	152 <b>936</b> (*)	30	0,152	1	€ 323,00	066 NOCE PAVIA	<i>pavia walnut</i>
	L.160	152 <b>937</b> (*)	32	0,173	1	€ 365,00	090 WENGE'	<i>wenge</i>
	L.180	152 <b>938</b> (*)	34	0,195	1	€ 399,00		
								PANNELLO INFERIORE MELAMINICO COLORE ARGENTO GOLF <i>lower melamine panel in golf silver colour</i>
								<b>CAT. D - STRETCH</b>
							585 AVORIO	<i>ivory</i>
							586 GRIGIO	<i>grey</i>
							587 ANTRACITE	<i>anthracite</i>
							588 NERO	<i>black</i>
							589 TORTORA	<i>grey beige</i>
							590 MARRONE	<i>brown</i>
							591 VERDE ACIDO	<i>acid green</i>
							592 VERDE BOSCO	<i>wood green</i>
							593 AZZURRO SKY	<i>sky blue</i>
							594 BLU	<i>blue</i>
							595 GIALLO FRESIA	<i>freesia yellow</i>
							596 ARANCIO	<i>orange</i>
							597 ROSSO	<i>red</i>
							598 AMARANTO	<i>amaranth</i>
								PANNELLO INFERIORE MELAMINICO COLORE ARGENTO GOLF <i>lower melamine panel in golf silver colour</i>
			<b>TESSUTO</b> <i>fabric</i>					
	L.60	152 <b>970</b> (*)	19	0,067	1	€ 206,00		
L.80	152 <b>972</b> (*)	21	0,088	1	€ 253,00			
L.100	152 <b>974</b> (*)	24	0,110	1	€ 285,00			
L.120	152 <b>975</b> (*)	27	0,131	1	€ 348,00			
L.140	152 <b>976</b> (*)	30	0,152	1	€ 376,00			
L.160	152 <b>977</b> (*)	32	0,173	1	€ 428,00			
L.180	152 <b>978</b> (*)	34	0,195	1	€ 468,00			

△ = PANNELLO INFERIORE MELAMINICO COLORE ARGENTO GOLF / lower melamine panel in golf silver colour  
 □ = PANNELLO SUPERIORE MELAMINICO O TESSUTO / upper melamine or fabric panel  
 ○ = METACRILATO BIANCO / white methacrylate





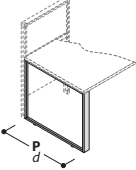
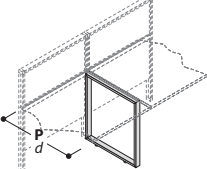
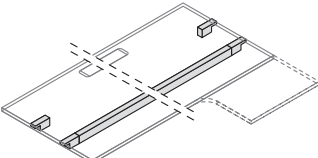
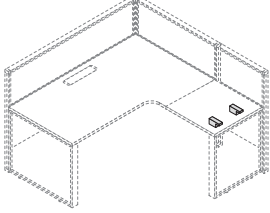
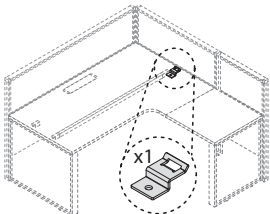
**PIANI SCRIVANIE BORDATI SP. 25mm (MELAMINICO)***square edged desktops thick 25mm (melamine)*

DESCRIZIONE <i>description</i>	L <i>w</i>	CODICE <i>code</i>	KG	M <sup>3</sup>	COLLI	PREZZO <i>price</i>	(*) CODICE FINITURA <i>(*) finish code</i>	
PIANI SCRIVANIE PROF. CM 60 <i>desktops depth 60 cms</i>    L. x p.60 x <b>H.2,5</b>	<b>PIANO sp. 25mm top thick. 25mm</b>		<b>SENZA TOP ACCESS without top access</b>					
	L.120	152 <b>382</b> (*)	13	0,036	1	€ 54,00		
	L.140	152 <b>383</b> (*)	15	0,041	1	€ 60,00		
	L.160	152 <b>384</b> (*)	17	0,047	1	€ 66,00		
	L.180	152 <b>385</b> (*)	19	0,053	1	€ 74,00		
	<b>PIANO sp. 25mm top thick. 25mm</b>		<b>CON TOP ACCESS with top access</b>					
	L.120	152 <b>386</b> (*)	13	0,036	1	€ 93,00		
	L.140	152 <b>387</b> (*)	15	0,041	1	€ 102,00		
	L.160	152 <b>388</b> (*)	17	0,047	1	€ 109,00		
	L.180	152 <b>389</b> (*)	19	0,053	1	€ 116,00		
PIANI SCRIVANIE PROF. CM 80 <i>desktops depth 80 cms</i>    L. x p.80 x <b>H.2,5</b>	<b>PIANO sp. 25mm top thick. 25mm</b>		<b>SENZA TOP ACCESS without top access</b>					
	L.120	152 <b>392</b> (*)	17	0,052	1	€ 64,00		
	L.140	152 <b>393</b> (*)	20	0,060	1	€ 75,00		
	L.160	152 <b>394</b> (*)	23	0,069	1	€ 84,00		
	L.180	152 <b>395</b> (*)	26	0,077	1	€ 92,00		
	<b>PIANO sp. 25mm top thick. 25mm</b>		<b>CON TOP ACCESS with top access</b>					
	L.120	152 <b>396</b> (*)	17	0,052	1	€ 108,00		
	L.140	152 <b>397</b> (*)	20	0,060	1	€ 117,00		
	L.160	152 <b>398</b> (*)	23	0,069	1	€ 127,00		
	L.180	152 <b>399</b> (*)	26	0,077	1	€ 138,00		
PIANO WORKSTATION L.160x100 <i>workstation top w 24 3/4" x 39 1/2"</i>    L.160 x p.80/100 x <b>H.2,5</b>	<b>PIANO sp. 25mm top thick. 25mm</b>		<b>CON TOP ACCESS with top access</b>					
	<b>DX right</b>	L.160	152 <b>404</b> (*)	24	0,077	1	€ 150,00	
	<b>SX left</b>	L.160	152 <b>405</b> (*)					

(*)	PIANO	top
166	NOCE PAVIA	pavia walnut
400	BIANCO BR.	br. white
704	ROVERE GREY	grey oak
733	ROVERE	oak
844	STONE GREY	stone grey
900	WENGE'	wenge

ALLUNGHI SP. 25mm (MELAMINICO) square edged extensions and tops thick 25mm (melamine)																											
DESCRIZIONE description	L w	CODICE code	KG	M <sup>3</sup>	COLLI	PREZZO price	(*) CODICE FINITURA (* finish code)																				
ALLUNGHI <b>CON VENATURA TRASVERSALE</b> <i>extensions with transversal wood veining</i>    L. x p.60 x H.2,5		<table border="1"> <thead> <tr> <th>PIANO sp. 25mm top thick. 25mm</th> <th colspan="2">CON VENATURA TRASVERSALE transversal wood veining</th> </tr> </thead> <tbody> <tr> <td>L.60</td> <td>152 433 (*)</td> <td>7</td> <td>0,020</td> <td>1</td> <td>€ 31,00</td> </tr> <tr> <td>L.80</td> <td>152 434 (*)</td> <td>9</td> <td>0,024</td> <td>1</td> <td>€ 39,00</td> </tr> <tr> <td>L.100</td> <td>152 435 (*)</td> <td>11</td> <td>0,030</td> <td>1</td> <td>€ 46,00</td> </tr> </tbody> </table>	PIANO sp. 25mm top thick. 25mm	CON VENATURA TRASVERSALE transversal wood veining		L.60	152 433 (*)	7	0,020	1	€ 31,00	L.80	152 434 (*)	9	0,024	1	€ 39,00	L.100	152 435 (*)	11	0,030	1	€ 46,00				
	PIANO sp. 25mm top thick. 25mm	CON VENATURA TRASVERSALE transversal wood veining																									
	L.60	152 433 (*)	7	0,020	1	€ 31,00																					
	L.80	152 434 (*)	9	0,024	1	€ 39,00																					
	L.100	152 435 (*)	11	0,030	1	€ 46,00																					
		COMPLETARE SEMPRE CON STAFFA ART.430 <i>always complete with stirrup art.430</i>																									
						<table border="1"> <thead> <tr> <th>(*)</th> <th>PIANO</th> <th>top</th> </tr> </thead> <tbody> <tr> <td>166</td> <td>NOCE PAVIA</td> <td>pavia walnut</td> </tr> <tr> <td>400</td> <td>BIANCO BR.</td> <td>br. white</td> </tr> <tr> <td>704</td> <td>ROVERE GREY</td> <td>grey oak</td> </tr> <tr> <td>733</td> <td>ROVERE</td> <td>oak</td> </tr> <tr> <td>844</td> <td>STONE GREY</td> <td>stone grey</td> </tr> <tr> <td>900</td> <td>WENGE'</td> <td>wenge</td> </tr> </tbody> </table>	(*)	PIANO	top	166	NOCE PAVIA	pavia walnut	400	BIANCO BR.	br. white	704	ROVERE GREY	grey oak	733	ROVERE	oak	844	STONE GREY	stone grey	900	WENGE'	wenge
(*)	PIANO	top																									
166	NOCE PAVIA	pavia walnut																									
400	BIANCO BR.	br. white																									
704	ROVERE GREY	grey oak																									
733	ROVERE	oak																									
844	STONE GREY	stone grey																									
900	WENGE'	wenge																									
STAFFA DI COLLEGAMENTO PIANI <i>stirrup for fixing tops</i>  	L.44	152 430 (*)	1	0,007	1	€ 19,00																					
STAFFA <i>stirrup</i>  		152 431 (*)	1	0,003	1	€ 19,00	<table border="1"> <thead> <tr> <th>(*)</th> <th>STAFFA</th> <th>stirrup</th> </tr> </thead> <tbody> <tr> <td>000</td> <td>ARGENTO</td> <td>silver</td> </tr> </tbody> </table>	(*)	STAFFA	stirrup	000	ARGENTO	silver														
(*)	STAFFA	stirrup																									
000	ARGENTO	silver																									
STAFFA SUPPLEMENTARE DI RINFORZO PER ALLUNGHI <i>additional undertop stirrup for extension</i>  	L.50	153 659 (*)	1	0,004	1	€ 23,00																					

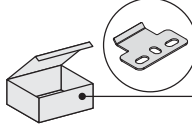
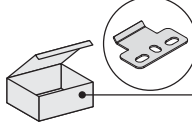
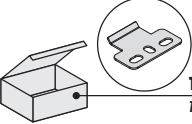
**MONTANTI, GAMBE A CORNICE, TRAVI E STAFFE PER PARETINE***uprights, frame legs, beams and stirrups for partition panels*

DESCRIZIONE <i>description</i>		CODICE <i>code</i>	KG 	M <sup>3</sup> 	COLLI 	PREZZO <i>price</i>	(*) CODICE FINITURA <i>(*) finish code</i>			
MONTANTI PER PARETINE <i>upright for partition panels</i>    L.4,7 x p.4,7 x H.		H.111	152 <b>890</b> (*)	3	0,013	1	€ 32,00	(*)		
		H.150	152 <b>891</b> (*)	3	0,017	1	€ 43,00	000	ARGENTO	silver
GAMBA A CORNICE <b>TERMINALE DX O SX</b> <i>right or left terminal frame leg</i>    H.71		p.60	152 <b>893</b> (*)	5	0,041	1	€ 61,00	(*)		
		p.80	152 <b>895</b> (*)	6	0,054	1	€ 69,00	000	ARGENTO	silver
		<b>COMPLETARE SEMPRE CON TRAVI DA ART.903 A 906 OPPURE CON STAFFE ART.899</b> <i>to be always complete with beams from art.903 till 906 or stirrups art.899</i>								
GAMBA A CORNICE <b>CENTRALE</b> <i>central frame leg</i>    H.71		p.60	152 <b>894</b> (*)	5	0,026	1	€ 72,00	(*)		
		p.80	152 <b>896</b> (*)	6	0,031	1	€ 78,00	000	ARGENTO	silver
		<b>COMPLETARE SEMPRE CON TRAVI DA ART.903 A 906 OPPURE CON STAFFE ART.899</b> <i>to be always complete with beams from art.903 till 906 or stirrups art.899</i>								
KIT TRAVI PER GAMBE A CORNICE <i>kit of beams for frame legs</i>  		L.120	152 <b>903</b> (*)	2	0,008	1	€ 37,00	(*)		
		L.140	152 <b>904</b> (*)	2	0,008	1	€ 40,00	000	ARGENTO	silver
		L.160	152 <b>905</b> (*)	3	0,009	1	€ 44,00			
		L.180	152 <b>906</b> (*)	5	0,012	1	€ 48,00			
		<b>UTILIZZARE IL KIT TRAVI LUNGO IL LATO DEL TOP ACCESS</b> <i>use the kit beams on side of the top access</i>								
KIT 2 STAFFE PER GAMBE A CORNICE <i>kit 2 stirrups for frame legs</i>  			152 <b>899</b> (*)	1,5	0,001	1	€ 13,00	(*)		
								000	ARGENTO	silver
STAFFA PER ATTACCO GAMBA A CORNICE-TRAVE-PARETINA <i>stirrup for connection frame leg-beam-partition panel</i>  			152 <b>898</b> (*)	0,1	0,001	1	€ 10,00	(*)		
								000	ARGENTO	silver



**KIT PIASTRINI PER SUPPORTO PIANI SU PARETINE**

kit of support plates for desktops with panels system

DESCRIZIONE description	L w	CODICE code	KG	M <sup>3</sup>	COLLI	PREZZO price	(*) CODICE FINITURA (* finish code)
KIT 2 PIASTRINI REGGI-PIANO SU PARETINE kit 2 plates for fixing desktops with partition panels  <b>2 PEZZI</b> 2 pieces		152 907 (*)	1,5	0,001	1	€ 12,00	
KIT 4 PIASTRINI REGGI-PIANO SU PARETINE kit 4 plates for fixing desktops with partition panels  <b>4 PEZZI</b> 4 pieces		152 908 (*)	2	0,001	1	€ 18,00	(*) 000 ARGENTO silver
KIT 12 PIASTRINI REGGI-PIANO SU PARETINE kit 12 plates for fixing desktops with partition panels  <b>12 PEZZI</b> 12 pieces		152 909 (*)	3	0,001	1	€ 46,00	

**SCHEMA DI UTILIZZO KIT PIASTRINI ART.907-908-909 E STAFFA ART.898**

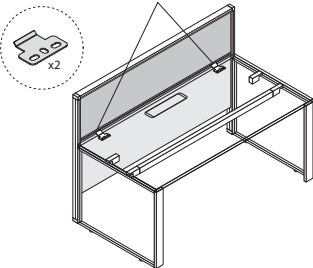
schema of using support plates art.907-908-909 and stirrup art.898

\* N.B.:PER SOSTENERE I PIANI INCLUDERE **SEMPRE** I PIASTRINI DI SOSTEGNO ART. 907-908-909 secondo lo schema seguente:  
 \* N.B.:to support the tops, **always** include supporting plates art. 907-908-909 as per the following scheme:

Esempi/examples:

**A)-** COMPOSIZIONI CON PARETINA DA 1 SOLO LATO  
 compositions with partition on one side only

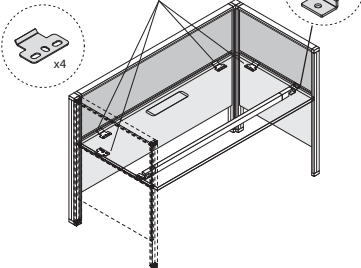
ES.: IN QUESTO CASO: N° 1 KIT ART.907  
 ES.: in this case: N° 1 KIT ART.907



ORDINARE **SEMPRE** n°2 PIASTRINI PER CIASCUN PIANO DA SOSTENERE  
 always order 2 plates for each panel

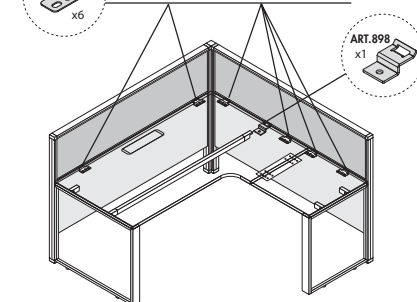
**B)-** COMPOSIZIONI CON PARETINE SU 3 LATI  
 compositions with partition on three side

ES.: IN QUESTO CASO: N° 1 KIT ART.908  
 ES.: in this case: N° 1 KIT ART.908



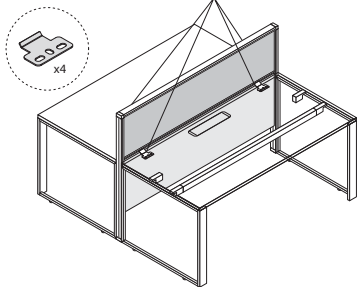
**C)-** COMPOSIZIONI CON PARETINE SU 2 LATI  
 compositions with partition on two side

ES.: IN QUESTO CASO: N° 1 KIT ART.907 + 908  
 ES.: in this case: N° 1 KIT ART.907+ 908



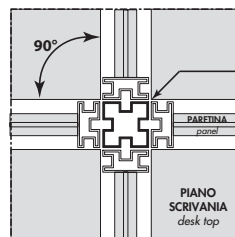
**D)-** COMPOSIZIONI PARETINA CON PIANI CONTRAPPOSTI  
 panel compositions with front tops

ES.: IN QUESTO CASO: N° 1 KIT ART.908  
 ES.: in this case: N° 1 KIT ART.908



Per composizioni di paretine **CENTRALI** con piani contrapposti completare **SEMPRE** con n°4 piastrini per ciascun pannello  
 for central panel compositions with faced tops, complete **always** with 4 plates for each panel

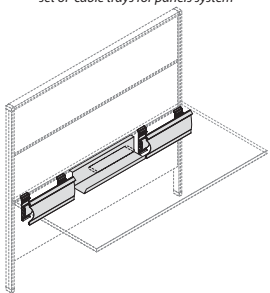
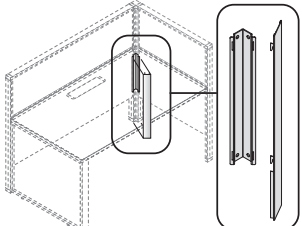
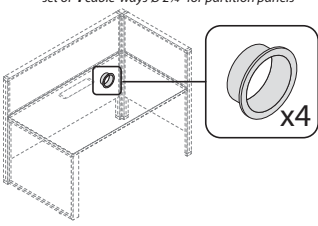
PER OGNI CONNESSIONE A 2-3-4 VIE **ORTOGONALI** CON PANNELLI PARETINA OCCORRE INSERIRE 1 MONTANTE DI RACCORDO ART. 890-891  
 for each 2-3-4 **orthogonal** way connection with panel it is necessary to use 1 joining upright art.890-891



ART. 890 (MONTANTE H.111) / (upright h.111 cms)  
 ART. 891 (MONTANTE H.150) / (upright h.150 cms)

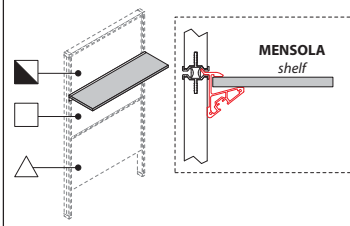
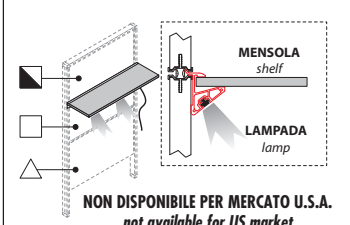
## CANALINE PASSACAVI PER PARETINE

*cabl trays for partition panels*




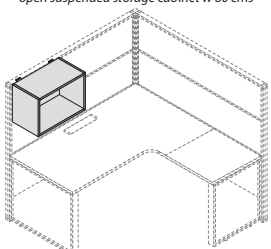
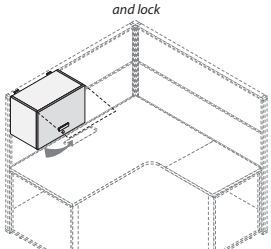
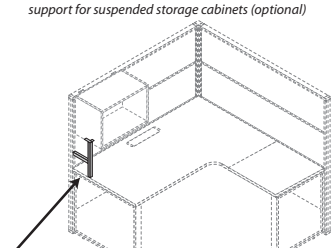
DESCRIZIONE <i>description</i>	L <i>w</i>	CODICE <i>code</i>	KG	M <sup>3</sup>	COLLI	PREZZO <i>price</i>	(*) CODICE FINITURA <i>(*) finish code</i>					
KIT CANALINE PASSA-CAVI PER SISTEMA PARETINE <i>set of cable trays for panels system</i>  H.11		152 699 (*)	1,2	0,014	1	€ 55,00						
		152 700 (*)	1,2	0,014	1	€ 63,00						
	PROSPETTO INFORMATIVO <i>fact-sheet</i> <table border="1"> <tr> <td><b>KIT PASSACAVI</b> <i>set of cable trays</i></td> <td><i>UTILIZZABILE SU PIANI</i> <i>usable on the desktops</i></td> </tr> <tr> <td><b>ART.699</b></td> <td>L.120-140</td> </tr> <tr> <td><b>ART.700</b></td> <td>L.160-180</td> </tr> </table>							<b>KIT PASSACAVI</b> <i>set of cable trays</i>	<i>UTILIZZABILE SU PIANI</i> <i>usable on the desktops</i>	<b>ART.699</b>	L.120-140	<b>ART.700</b>
<b>KIT PASSACAVI</b> <i>set of cable trays</i>	<i>UTILIZZABILE SU PIANI</i> <i>usable on the desktops</i>											
<b>ART.699</b>	L.120-140											
<b>ART.700</b>	L.160-180											
SALITA PASSA-CAVI PER SISTEMA PARETINE <i>rising cable tray for panels system</i>  L.4 x p.4 x H.39		152 701 (*)	1,2	0,002	1	€ 30,00	(*) 000 ARGENTO silver					
KIT 4 PASSA-CAVI Ø 60mm PER PANNELLI PARETINE <i>set of 4 cable-ways Ø 2 1/4" for partition panels</i>  Ø 6		152 759 (*)	1	0,002	1	€ 18,00						

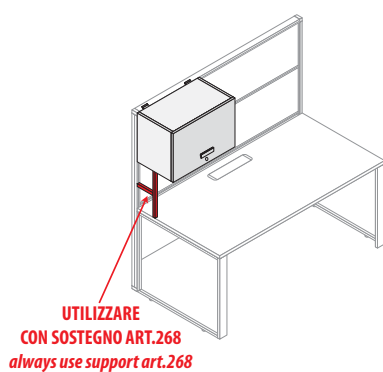
## MENSOLE PER PARETINE H.150

*shelves for partition panels h.150 cms*

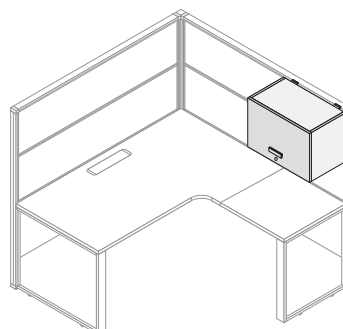
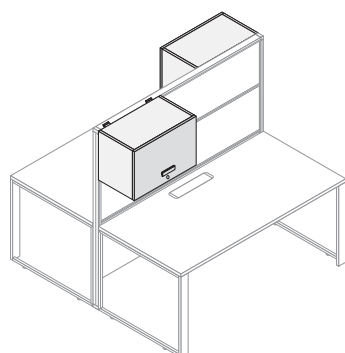
MENSOLE CON BARRA DI SUPPORTO PER MODULI CIECHI H.150 <i>shelves with support bar for blind module h.150 cms</i>  L.x p.28 x H.1,2	L.60	152 704 (*)	2,4	0,012	2	€ 33,00	
	L.80	152 706 (*)	2,4	0,015	2	€ 40,00	
	L.100	152 708 (*)	2,4	0,018	2	€ 49,00	
MENSOLE CON BARRA DI SUPPORTO PER MODULI CIECHI H.150 CON LAMPADA A LED <i>shelves with support bar for blind module h.150 cms with led lamp</i>  L.x p.28 x H.1,2 <b>NON DISPONIBILE PER MERCATO U.S.A.</b> <i>not available for US market</i>							(*) 000 ARGENTO GOLF golf silver
	L.60	152 715 (*)	2,4	0,015	2	€ 133,00	

**PENSILI PORTA-DOX PER PARETINE H.150***suspended storage cabinets for partitions panels h.150 cms*

DESCRIZIONE <i>description</i>	L <i>w</i>	CODICE <i>code</i>	KG 	M <sup>3</sup> 	COLLI 	PREZZO <i>price</i>	(*) CODICE FINITURA <i>(*) finish code</i>	
PENSILE PORTA-DOX A GIORNO L.60 <i>open suspended storage cabinet w 60 cms</i>  L.60 x p.33 x H.41	L.60	152 266 (*)	11	0,026	1	€ 56,00	(*)	STRUTTURA <i>structure</i>
							000	ARGENTO GOLF <i>golf silver</i>
PENSILE PORTA-DOX L.60 CON 1 ANTA LEGNO BASCULANTE E SERRATURA <i>suspended storage cabinet w 60 cms with 1 wooden door and lock</i>  L.60 x p.35 x H.41	L.60	152 267 (*)	15	0,058	2	€ 190,00	(*)	ANTA STRUTTURA <i>door structure</i>
							003	ROVERE ARGENTO GOLF <i>oak golf silver</i>
							004	ROVERE GREY ARGENTO GOLF <i>grey oak golf silver</i>
							040	BIANCO BR. ARGENTO GOLF <i>br. white golf silver</i>
							044	STONE GREY ARGENTO GOLF <i>stone grey golf silver</i>
							066	NOCE PAVIA ARGENTO GOLF <i>pavia walnut golf silver</i>
							090	WENGE' ARGENTO GOLF <i>wengè golf silver</i>
SOSTEGNO PER PENSILI PORTA-DOX (OPTIONAL) <i>support for suspended storage cabinets (optional)</i>  L.2 x p.11 x H.34		152 268 (*)	2	0,003	1	€ 29,00	(*)	
							000	ARGENTO <i>silver</i>





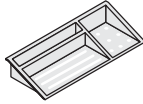
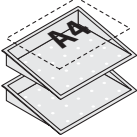


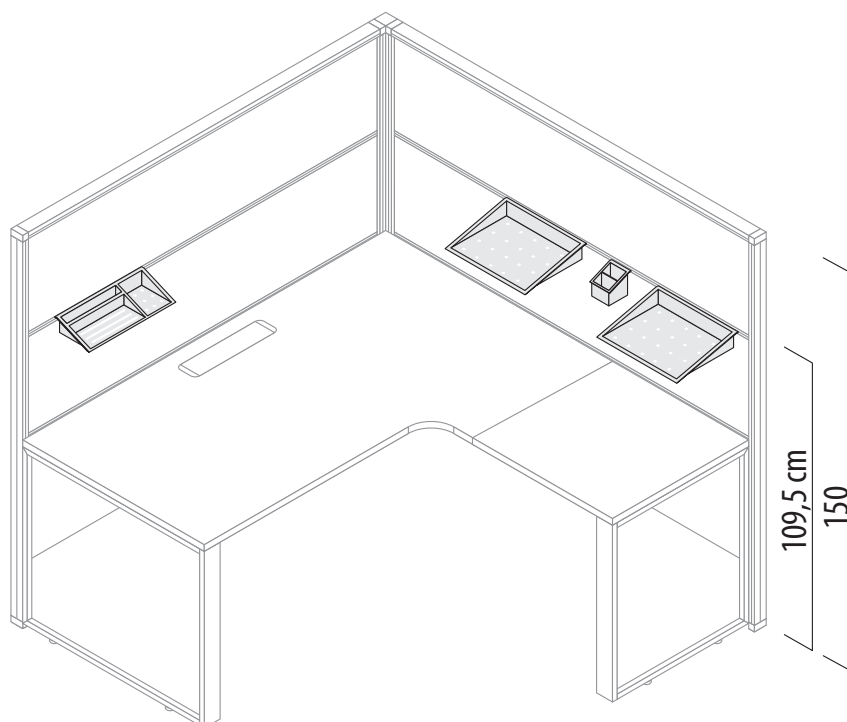
**ATT: .UTILIZZARE UN SOLO PORTA-DOX PER OGNI OPERATORE**  
*att.: use 1 storage cabinet for each user*



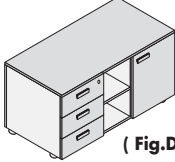
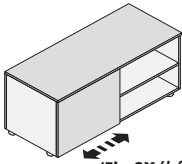
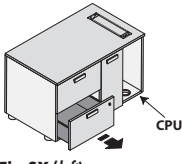
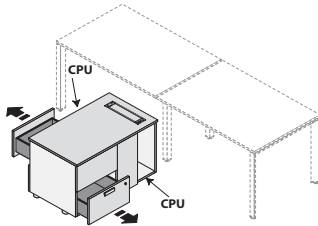
**ACCESSORI**

accessories

DESCRIZIONE <i>description</i>	L <i>w</i>	CODICE <i>code</i>	KG 	M <sup>3</sup> 	COLLI 	PREZZO <i>price</i>	(*) CODICE FINITURA <i>(*) finish code</i>						
PORTA-PENNE <i>pen-holder</i>    L.8,5 x p.9,5 x H.9	L.8,5	152 <b>351</b> (*)	1,5	0,002	2	€ 30,00							
PORTA-OGGETTI <i>objects-holder</i>    L.38 x p.15 x H.6	L.38	152 <b>352</b> (*)	1,5	0,002	2	€ 54,00	<table border="1"> <thead> <tr> <th>(*)</th> <th>ACCESSORI</th> <th>accessories</th> </tr> </thead> <tbody> <tr> <td>999</td> <td>TRASPARENTE</td> <td>transparent</td> </tr> </tbody> </table>	(*)	ACCESSORI	accessories	999	TRASPARENTE	transparent
(*)	ACCESSORI	accessories											
999	TRASPARENTE	transparent											
KIT 2 PORTA-CARTA <i>set of 2 paper-holder</i>    L.35 x p.27 x H.6	L.35	152 <b>353</b> (*)	1,5	0,002	2	€ 69,00							





MOBILI DI SERVIZIO E PORTA-CPU service units and CPU-holder		UTILIZZABILI SU BENCH E SYSTEM usable for combining with BENCH and SYSTEM					
DESCRIZIONE description	CODICE code	KG	M <sup>3</sup>	COLLI PCS	PREZZO price	(*) CODICE FINITURA (*) finish code	
MOBILE DI SERVIZIO L.120 CON 3 CASSETTI, VANO A GIORNO E 1 ANTA CIECA service unit w 120 cms with 3 drawers, open compartment and 1 wooden door   (Fig.DX/right)	CASSETTI IN LEGNO wooden drawers		CON CHIUSURA AMMORTIZZATA with soft-close			VERSIONE MONO-COLORE / single-color version	
	DX right	152 778 (*)	41	0,390	1	€ 347,00	
	SX left	152 779 (*)					
	ABBINAMENTO A: for combining with:	FUNZIONE: function:	COMPLETARE SEMPRE CON: always complete with:				
	1- BENCH	FREE-STANDING					
2- SYSTEM	FREE-STANDING						
L.120 x p.52,5 x H.61,5						(*)	
						000	ARGENTO GOLF golf silver
						400	BIANCO BR. br. white
						551	ANTRACITE anthracite
						844	STONE GREY stone grey
MOBILE DI SERVIZIO L.140 TERMINALE DX O SX CON ANTINA SCORREVOLE E VANO A GIORNO right or left terminal service unit w 140 cms with sliding door and open compartment   (Fig.SX/left)	CASSETTI IN LEGNO wooden drawers		CON CHIUSURA AMMORTIZZATA with soft-close			VERSIONE BI-COLORE / double-color version	
		152 454 (*)	47	0,167	2	€ 264,00	
	ABBINAMENTO A: for combining with:	FUNZIONE: function:	COMPLETARE SEMPRE CON: always complete with:				
	1- BENCH	FREE-STANDING					
	2- SYSTEM	FREE-STANDING					
L.140 x p.60 x H.61,5						(*)	FRONTALI + SCHIENA + TOP FRONTALS + BACK PANEL + TOP
						003	ROVERE ARGENTO GOLF oak golf silver
						004	ROVERE GREY ARGENTO GOLF grey oak golf silver
						011	GIALLO FRESIA ARGENTO GOLF freesia yellow golf silver
						032	AZZURRO SKY ARGENTO GOLF sky blue golf silver
						033	AMARANTO ARGENTO GOLF amaranth golf silver
						040	BIANCO BR. ARGENTO GOLF br. white golf silver
						044	STONE GREY ARGENTO GOLF stone grey golf silver
						051	ANTRACITE ARGENTO GOLF anthracite golf silver
						066	NOCE PAVIA ARGENTO GOLF pavia walnut golf silver
						090	WENGE' ARGENTO GOLF wenge' golf silver
						096	VERDE BOSCO ARGENTO GOLF wood green golf silver
						403	ROVERE BIANCO BR. oak br. white
						404	ROVERE GREY BIANCO BR. grey oak br. white
						405	ARGENTO GOLF BIANCO BR. golf silver br. white
						411	GIALLO FRESIA BIANCO BR. freesia yellow br. white
						432	AZZURRO SKY BIANCO BR. sky blue br. white
						433	AMARANTO BIANCO BR. amaranth br. white
						444	STONE GREY BIANCO BR. stone grey br. white
						451	ANTRACITE BIANCO BR. anthracite br. white
						466	NOCE PAVIA BIANCO BR. pavia walnut br. white
						490	WENGE' BIANCO BR. wenge' br. white
						496	VERDE BOSCO BIANCO BR. wood green br. white
						503	ROVERE ANTRACITE oak anthracite
						504	ROVERE GREY ANTRACITE grey oak anthracite
						506	ARGENTO GOLF ANTRACITE golf silver anthracite
						511	GIALLO FRESIA ANTRACITE freesia yellow anthracite
						532	AZZURRO SKY ANTRACITE sky blue anthracite
						533	AMARANTO ANTRACITE amaranth anthracite
						541	BIANCO BR. ANTRACITE br. white anthracite
						544	STONE GREY ANTRACITE stone grey anthracite
						566	NOCE PAVIA ANTRACITE pavia walnut anthracite
						591	WENGE' ANTRACITE wenge' anthracite
						596	VERDE BOSCO ANTRACITE wood green anthracite
						803	ROVERE STONE GREY oak stone grey
						804	ROVERE GREY STONE GREY grey oak stone grey
						805	ARGENTO GOLF STONE GREY golf silver stone grey
						811	GIALLO FRESIA STONE GREY freesia yellow stone grey
						832	AZZURRO SKY STONE GREY sky blue stone grey
						833	AMARANTO STONE GREY amaranth stone grey
						840	BIANCO BR. STONE GREY br. white stone grey
						851	ANTRACITE STONE GREY anthracite stone grey
						866	NOCE PAVIA STONE GREY pavia walnut stone grey
						890	WENGE' STONE GREY wenge' stone grey
						896	VERDE BOSCO STONE GREY wood green stone grey
MOBILE DI SERVIZIO L.100 TERMINALE DX O SX CON CASSETTI, ANTINA E PORTA-CPU right or left terminal service unit w 100 cms with drawers, door and CPU-holder   (Fig.SX/left)	CASSETTI IN LEGNO wooden drawers		CON CHIUSURA AMMORTIZZATA with soft-close				
		152 765 (*)	51	0,308	3	€ 347,00	
	ABBINAMENTO A: for combining with:	FUNZIONE: function:	COMPLETARE SEMPRE CON: always complete with:				
	1- BENCH	FREE-STANDING					
	2- SYSTEM	FREE-STANDING					
L.100 x p.60 x H.61,5							
MOBILE DI SERVIZIO L.100 CENTRALE CON CASSETTI E PORTA-CPU BIFACCIALI central service unit w 100 cms with drawers and CPU-holder in double-sides   CPU	CASSETTI IN LEGNO wooden drawers		CON CHIUSURA AMMORTIZZATA with soft-close				
		152 786 (*)	40	0,281	3	€ 369,00	
	ABBINAMENTO A: for combining with:	FUNZIONE: function:	COMPLETARE SEMPRE CON: always complete with:				
	1- BENCH	FREE-STANDING					
	2- SYSTEM	FREE-STANDING					
L.100 x p.60 x H.61,5							

**MOBILI DI SERVIZIO E PORTA-CPU**  
*service units and CPU-holder*

**UTILIZZABILI SU BENCH E SYSTEM**  
*usable for combining with BENCH and SYSTEM*

**DESCRIZIONE**  
*description*

**CODICE** **KG** **M<sup>3</sup>** **COLLI** **PREZZO**  
*code* *kg* *m<sup>3</sup>* *boxes* *price*

**(\*) CODICE FINITURA**  
*(\*) finish code*

PORTA-CPU CENTRALE PER POSTAZIONI CONTRAPPOSTE  
*central CPU-holder for 2 opposite stationing*

L.60 x p.60 x H.61,5

		<b>152 458 (*)</b>	31	0,064	1	<b>€ 125,00</b>
ABBINAMENTO A: <i>for combining with:</i>	FUNZIONE: <i>function:</i>	COMPLETARE SEMPRE CON: <i>always complete with:</i>				
1- BENCH	SOSTEGNO SOTTOPIANO <i>undertop support</i>					

VERSIONE MONO-COLORE / <i>single-color version</i>	
(*)	
000	ARGENTO GOLF <i>golf silver</i>
400	BIANCO BR. <i>br. white</i>
551	ANTRACITE <i>anthracite</i>
844	STONE GREY <i>stone grey</i>

PORTA-CPU CENTRALE PER POSTAZIONI AFFIANCATE  
*central CPU-holder for 2 side by side stationing*

L.60 x p.60 x H.61,5

		<b>152 468 (*)</b>	31	0,064	1	<b>€ 116,00</b>
ABBINAMENTO A: <i>for combining with:</i>	FUNZIONE: <i>function:</i>	COMPLETARE SEMPRE CON: <i>always complete with:</i>				
1- BENCH	SOSTEGNO SOTTOPIANO <i>undertop support</i>					

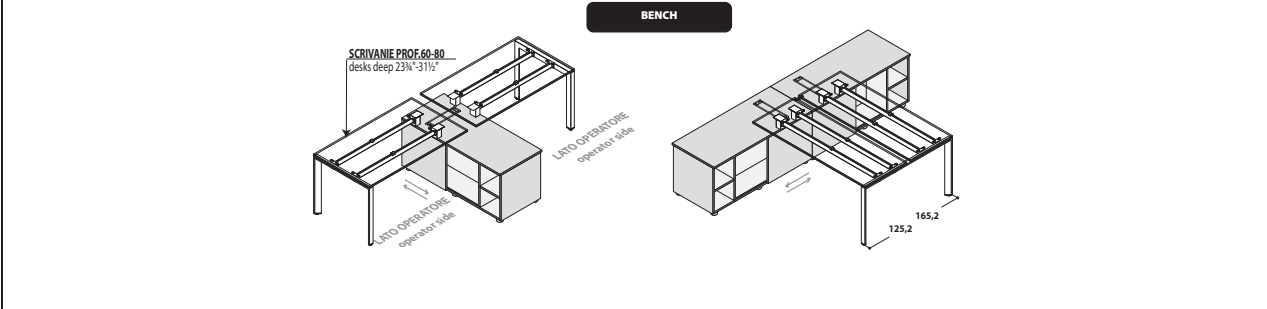
VERSIONE BI-COLORE / <i>double-color version</i>				
(*)	FRONTALI + SCHIENA + TOP	STRUTTURA	fronts + back panel + top	structure
003	ROVERE	ARGENTO GOLF	oak	golf silver
004	ROVERE GREY	ARGENTO GOLF	grey oak	golf silver
011	GIALLO FRESIA	ARGENTO GOLF	freesia yellow	golf silver
032	AZZURRO SKY	ARGENTO GOLF	sky blue	golf silver
033	AMARANTO	ARGENTO GOLF	amaranth	golf silver
040	BIANCO BR.	ARGENTO GOLF	br. white	golf silver
044	STONE GREY	ARGENTO GOLF	stone grey	golf silver
051	ANTRACITE	ARGENTO GOLF	anthracite	golf silver
066	NOCE PAVIA	ARGENTO GOLF	pavia walnut	golf silver
090	WENGÈ	ARGENTO GOLF	wengè	golf silver
096	VERDE BOSCO	ARGENTO GOLF	wood green	golf silver
403	ROVERE	BIANCO BR.	oak	br. white
404	ROVERE GREY	BIANCO BR.	grey oak	br. white
405	ARGENTO GOLF	BIANCO BR.	golf silver	br. white
411	GIALLO FRESIA	BIANCO BR.	freesia yellow	br. white
432	AZZURRO SKY	BIANCO BR.	sky blue	br. white
433	AMARANTO	BIANCO BR.	amaranth	br. white
444	STONE GREY	BIANCO BR.	stone grey	br. white
451	ANTRACITE	BIANCO BR.	anthracite	br. white
466	NOCE PAVIA	BIANCO BR.	pavia walnut	br. white
490	WENGÈ	BIANCO BR.	wengè	br. white
496	VERDE BOSCO	BIANCO BR.	wood green	br. white
503	ROVERE	ANTRACITE	oak	anthracite
504	ROVERE GREY	ANTRACITE	grey oak	anthracite
506	ARGENTO GOLF	ANTRACITE	golf silver	anthracite
511	GIALLO FRESIA	ANTRACITE	freesia yellow	anthracite
532	AZZURRO SKY	ANTRACITE	sky blue	anthracite
533	AMARANTO	ANTRACITE	amaranth	anthracite
541	BIANCO BR.	ANTRACITE	br. white	anthracite
544	STONE GREY	ANTRACITE	stone grey	anthracite
566	NOCE PAVIA	ANTRACITE	pavia walnut	anthracite
591	WENGÈ	ANTRACITE	wengè	anthracite
596	VERDE BOSCO	ANTRACITE	wood green	anthracite
803	ROVERE	STONE GREY	oak	stone grey
804	ROVERE GREY	STONE GREY	grey oak	stone grey
805	ARGENTO GOLF	STONE GREY	golf silver	stone grey
811	GIALLO FRESIA	STONE GREY	freesia yellow	stone grey
832	AZZURRO SKY	STONE GREY	sky blue	stone grey
833	AMARANTO	STONE GREY	amaranth	stone grey
840	BIANCO BR.	STONE GREY	br. white	stone grey
851	ANTRACITE	STONE GREY	anthracite	stone grey
866	NOCE PAVIA	STONE GREY	pavia walnut	stone grey
890	WENGÈ	STONE GREY	wengè	stone grey
896	VERDE BOSCO	STONE GREY	wood green	stone grey

MOBILE DI SERVIZIO L.140 CENTRALE  
 CON ANTINE SCORREVOLI E PORTA-CPU BIFACCIALI  
 + VANO A GIORNO  
*central service unit w 140 cms  
 with sliding doors and CPU-holder in double-sides  
 + open glove compartment*

L.140 x p.60 x H.61,5

		<b>152 602 (*)</b>	54	0,163	2	<b>€ 357,00</b>
ABBINAMENTO A: <i>for combining with:</i>	FUNZIONE: <i>function:</i>	COMPLETARE SEMPRE CON: <i>always complete with:</i>				
1- BENCH	SOSTEGNO SOTTOPIANO <i>undertop support</i>					
2- SYSTEM	FREE-STANDING					

**SCHEMA DI UTILIZZO MOBILE DI SERVIZIO CON PORTA-CPU L.140 BIFACCIALE ART.602**  
*schema of using service unit with CPU-holder w 140 cms in double-sides art.602*



**CLASSIFICATORE FREE-STANDING**

*free-standing file pedestal*

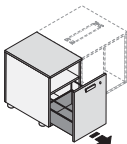
**UTILIZZABILI SU BENCH E SYSTEM**  
*usable for combining with BENCH and SYSTEM*

DESCRIZIONE <i>description</i>	CODICE <i>code</i>	KG	M <sup>3</sup>	COLLI 	PREZZO <i>price</i>	(*) CODICE FINITURA <i>(*) finish code</i>
CLASSIFICATORE FREE-STANDING CON SERRATURA <i>free-standing file-pedestal with lock</i>						VERSIONE MONO-COLORE / <i>single-color version</i>
						(*)
					000	ARGENTO GOLF <i>golf silver</i>
					400	BIANCO BR. <i>br. white</i>
					551	ANTRACITE <i>anthracite</i>
					844	STONE GREY <i>stone grey</i>
					VERSIONE BI-COLORE / <i>double-color version</i>	
					(*)	FRONTALI + SCHIENA + TOP <i>fronts + back panel + top</i>
						STRUTTURA <i>structure</i>
					003	ROVERE ARGENTO GOLF oak <i>golf silver</i>
					004	ROVERE GREY ARGENTO GOLF grey oak <i>golf silver</i>
					011	GIALLO FRESIA ARGENTO GOLF freesia yellow <i>golf silver</i>
					032	AZZURRO SKY ARGENTO GOLF sky blue <i>golf silver</i>
					033	AMARANTO ARGENTO GOLF amaranth <i>golf silver</i>
					040	BIANCO BR. ARGENTO GOLF br. white <i>golf silver</i>
					044	STONE GREY ARGENTO GOLF stone grey <i>golf silver</i>
					051	ANTRACITE ARGENTO GOLF anthracite <i>golf silver</i>
					066	NOCE PAVIA ARGENTO GOLF pavia walnut <i>golf silver</i>
					090	WENGÈ ARGENTO GOLF wengè <i>golf silver</i>
					096	VERDE BOSCO ARGENTO GOLF wood green <i>golf silver</i>
					403	ROVERE BIANCO BR. oak br. white
					404	ROVERE GREY BIANCO BR. grey oak br. white
					405	ARGENTO GOLF BIANCO BR. golf silver br. white
					411	GIALLO FRESIA BIANCO BR. freesia yellow br. white
					432	AZZURRO SKY BIANCO BR. sky blue br. white
					433	AMARANTO BIANCO BR. amaranth br. white
					444	STONE GREY BIANCO BR. stone grey br. white
					451	ANTRACITE BIANCO BR. anthracite br. white
					466	NOCE PAVIA BIANCO BR. pavia walnut br. white
					490	WENGÈ BIANCO BR. wengè br. white
					496	VERDE BOSCO BIANCO BR. wood green br. white
					503	ROVERE ANTRACITE oak anthracite
					504	ROVERE GREY ANTRACITE grey oak anthracite
					506	ARGENTO GOLF ANTRACITE golf silver anthracite
					511	GIALLO FRESIA ANTRACITE freesia yellow anthracite
					532	AZZURRO SKY ANTRACITE sky blue anthracite
					533	AMARANTO ANTRACITE amaranth anthracite
					541	BIANCO BR. ANTRACITE br. white anthracite
					544	STONE GREY ANTRACITE stone grey anthracite
					566	NOCE PAVIA ANTRACITE pavia walnut anthracite
					591	WENGÈ ANTRACITE wengè anthracite
					596	VERDE BOSCO ANTRACITE wood green anthracite
					803	ROVERE STONE GREY oak stone grey
					804	ROVERE GREY STONE GREY grey oak stone grey
					805	ARGENTO GOLF STONE GREY golf silver stone grey
					811	GIALLO FRESIA STONE GREY freesia yellow stone grey
					832	AZZURRO SKY STONE GREY sky blue stone grey
					833	AMARANTO STONE GREY amaranth stone grey
					840	BIANCO BR. STONE GREY br. white stone grey
					851	ANTRACITE STONE GREY anthracite stone grey
					866	NOCE PAVIA STONE GREY pavia walnut stone grey
					890	WENGÈ STONE GREY wengè stone grey
					896	VERDE BOSCO STONE GREY wood green stone grey

CASSETTO IN LEGNO <i>wooden drawers</i>	CON CHIUSURA AMMORTIZZATA <i>with soft-close</i>
152 769 (*)	23 0,232 1

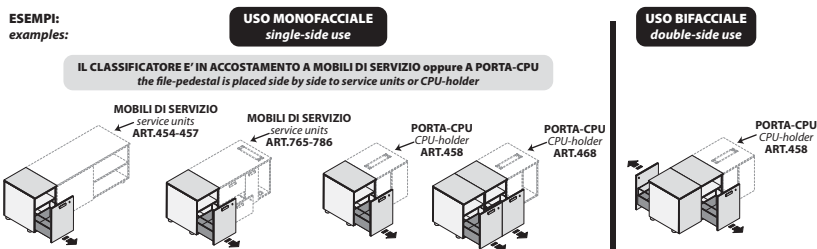
€ 204,00



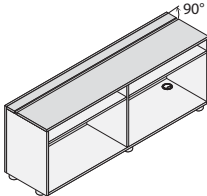
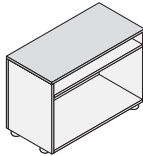
L.42 x p.60 x H.61,5

**SCHEMA DI UTILIZZO CLASSIFICATORE FREE-STANDING ART.469-769**

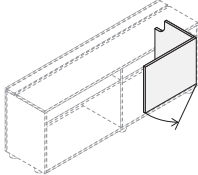
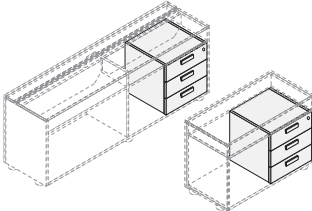
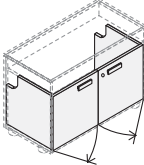
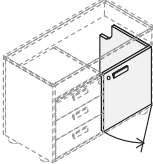
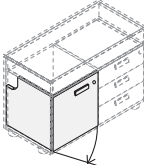
*scheme of using free-standing file-pedestal art.469-769*



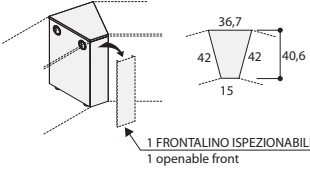
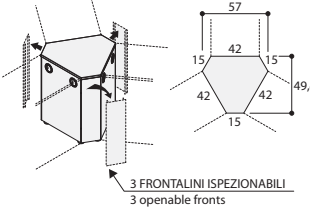
**MOBILI DI SERVIZIO PROF. CM 42 PER SCRIVANIE O BENCH***service cabinets depth 42 cms for desks or bench*

DESCRIZIONE description	L w	CODICE code	KG	M <sup>3</sup>	COLLI	PREZZO price	(*) CODICE FINITURA (*) finish code	
MOBILE L.165 CON TOP-ACCES A RIBALTA cabinet w 165 cms with top access tip-up door								
								
		<b>173 177 (*)</b>	46	0,146	3	<b>€ 267,00</b>	VERSIONE MONO-COLORE / <i>single-color version</i>	
ABBINAMENTO A: for combining with:	FUNZIONE: function:	COMPLETARE SEMPRE CON: always complete with:					(*)	
1- BENCH	SOSTEGNO SOTTOPIANO undertop support						000	ARGENTO GOLF <i>golf silver</i>
							400	BIANCO BR. <i>br. white</i>
							551	ANTRACITE <i>anthracite</i>
							844	STONE GREY <i>stone grey</i>
								VERSIONE BI-COLORE / <i>double-color version</i>
							(*)	SCHIENA + TOP    STRUTTURA    back panel + top    structure
							003	ROVERE    ARGENTO GOLF    oak    golf silver
							004	ROVERE GREY    ARGENTO GOLF    grey oak    golf silver
							011	GIALLO FRESIA    ARGENTO GOLF    freesia yellow    golf silver
							032	AZZURRO SKY    ARGENTO GOLF    sky blue    golf silver
							033	AMARANTO    ARGENTO GOLF    amaranth    golf silver
							040	BIANCO BR.    ARGENTO GOLF    br. white    golf silver
							044	STONE GREY    ARGENTO GOLF    stone grey    golf silver
							051	ANTRACITE    ARGENTO GOLF    anthracite    golf silver
							066	NOCE PAVIA    ARGENTO GOLF    pavia walnut    golf silver
							090	WENGE'    ARGENTO GOLF    wengè    golf silver
							096	VERDE BOSCO    ARGENTO GOLF    wood green    golf silver
							403	ROVERE    BIANCO BR.    oak    br. white
							404	ROVERE GREY    BIANCO BR.    grey oak    br. white
							405	ARGENTO GOLF    BIANCO BR.    golf silver    br. white
							411	GIALLO FRESIA    BIANCO BR.    freesia yellow    br. white
							432	AZZURRO SKY    BIANCO BR.    sky blue    br. white
							433	AMARANTO    BIANCO BR.    amaranth    br. white
							444	STONE GREY    BIANCO BR.    stone grey    br. white
							451	ANTRACITE    BIANCO BR.    anthracite    br. white
							466	NOCE PAVIA    BIANCO BR.    pavia walnut    br. white
							490	WENGE'    BIANCO BR.    wengè    br. white
							496	VERDE BOSCO    BIANCO BR.    wood green    br. white
							503	ROVERE    ANTRACITE    oak    anthracite
							504	ROVERE GREY    ANTRACITE    grey oak    anthracite
							506	ARGENTO GOLF    ANTRACITE    golf silver    anthracite
							511	GIALLO FRESIA    ANTRACITE    freesia yellow    anthracite
							532	AZZURRO SKY    ANTRACITE    sky blue    anthracite
							533	AMARANTO    ANTRACITE    amaranth    anthracite
							541	BIANCO BR.    ANTRACITE    br. white    anthracite
							544	STONE GREY    ANTRACITE    stone grey    anthracite
							566	NOCE PAVIA    ANTRACITE    pavia walnut    anthracite
							591	WENGE'    ANTRACITE    wengè    anthracite
							596	VERDE BOSCO    ANTRACITE    wood green    anthracite
							803	ROVERE    STONE GREY    oak    stone grey
							804	ROVERE GREY    STONE GREY    grey oak    stone grey
							805	ARGENTO GOLF    STONE GREY    golf silver    stone grey
							811	GIALLO FRESIA    STONE GREY    freesia yellow    stone grey
							832	AZZURRO SKY    STONE GREY    sky blue    stone grey
							833	AMARANTO    STONE GREY    amaranth    stone grey
							840	BIANCO BR.    STONE GREY    br. white    stone grey
							851	ANTRACITE    STONE GREY    anthracite    stone grey
							866	NOCE PAVIA    STONE GREY    pavia walnut    stone grey
							890	WENGE'    STONE GREY    wengè    stone grey
							896	VERDE BOSCO    STONE GREY    wood green    stone grey
L.165 x p.42 x H.61,5								
MOBILE L.87,3 cabinet w 87,3 cms								
								
		<b>173 178 (*)</b>	27	0,062	2	<b>€ 119,00</b>		
ABBINAMENTO A: for combining with:	FUNZIONE: function:	COMPLETARE SEMPRE CON: always complete with:						
1- BENCH	SOSTEGNO SOTTOPIANO undertop support							
L.87,3 x p.42 x H.61,5								

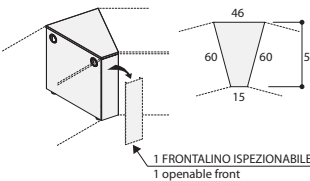
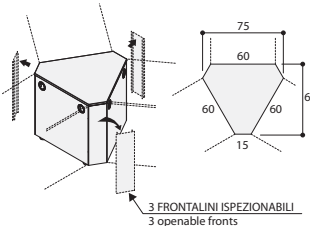


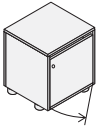
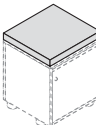
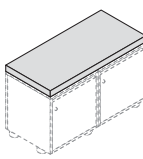
COMPLEMENTI PER ART.177-178 complements for art.177-178							
DESCRIZIONE description	L w	CODICE code	KG	M <sup>3</sup>	COLLI	PREZZO price	(*) CODICE FINITURA (* finish code)
ANTA DX O SX PER MOBILE L.165 ART.177 <i>right or left wooden door for cabinet w 165 cms ART.177</i>  L.42 x p.40 x H.43		173 192 (*)	5	0,019	1	€ 28,00	
MOBILE 3 CASSETTI CON SERRATURA PER ART.177-178 <i>3 drawers cabinet with lock for art.177-178</i>  L.42 x p.40 x H.43		173 181 (*)	17	0,090	1	€ 172,00	
<b>COMPLEMENTI PER ART.178</b> <b>complements for art.178</b>							
COPPIA ANTE BASSE CON SERRATURA E FIANCHETTI INTERNI PER ART.178 <i>set of 2 low wooden doors with lock and inside panels for art.178</i>  L.83 x p.40 x H.43		173 193 (*)	7	0,018	1	€ 60,00	
ANTA BASSA DX CON SERRATURA E FIANCHETTO INTERNO PER ART.178 <i>low right wooden door with lock and inside panel for art.178</i>  L.41,5 x p.40 x H.43	DX right	173 194 (*)	5	0,005	1	€ 39,00	(*) 000 ARGENTO GOLF <i>golf silver</i> 400 BIANCO BR. <i>br. white</i> 551 ANTRACITE <i>anthracite</i> 844 STONE GREY <i>stone grey</i>
ANTA BASSA SX CON SERRATURA E FIANCHETTO INTERNO PER ART.178 <i>low left wooden door with lock and inside panel for art.178</i>  L.41,5 x p.40 x H.43	SX left	173 195 (*)	5	0,005	1	€ 39,00	

**MOBILI DI RACCORDO PROF. CM 42***joining cabinets depth 42 cms*

DESCRIZIONE <i>description</i>	L <i>w</i>	CODICE <i>code</i>	KG	M <sup>3</sup>	COLLI	PREZZO <i>price</i>	(*) CODICE FINITURA <i>(*) finish code</i>
MOBILE DI RACCORDO 2 VIE ISPEZIONABILE <i>2 ways joining cabinet, openable</i>  1 FRONTALINO ISPEZIONABILE <i>1 openable front</i>  L.36,7 x p.40,6 x H.61,5		173 196 (*)	11	0,036	1	€ 106,00	
							(*)
							000 ARGENTO GOLF <i>golf silver</i>
							400 BIANCO BR. <i>br. white</i>
							551 ANTRACITE <i>anthracite</i>
							844 STONE GREY <i>stone grey</i>
MOBILE DI RACCORDO 3 VIE ISPEZIONABILE <i>3 ways joining cabinet, openable</i>  3 FRONTALINI ISPEZIONABILI <i>3 openable fronts</i>  L.57 x p.49,4 x H.61,5		173 197 (*)	14	0,038	1	€ 179,00	

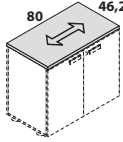
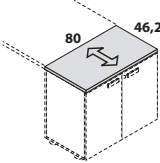
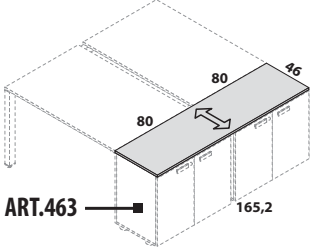
**MOBILI DI RACCORDO PROF. CM 60***joining cabinets depth 60 cms*

MOBILE DI RACCORDO 2 VIE ISPEZIONABILE <i>2 ways joining cabinet, openable</i>  1 FRONTALINO ISPEZIONABILE <i>1 openable front</i>  L.46 x p.58 x H.61,5		173 198 (*)	15	0,049	1	€ 121,00	
							(*)
							000 ARGENTO GOLF <i>golf silver</i>
							400 BIANCO BR. <i>br. white</i>
							551 ANTRACITE <i>anthracite</i>
							844 STONE GREY <i>stone grey</i>
MOBILE DI RACCORDO 3 VIE ISPEZIONABILE <i>3 ways joining cabinet, openable</i>  3 FRONTALINI ISPEZIONABILI <i>3 openable fronts</i>  L.75 x p.65 x H.61,5		173 199 (*)	20	0,075	1	€ 207,00	



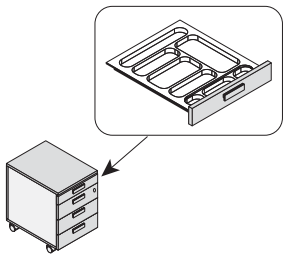
MOBILI AGGREGABILI joining cabinets									
DESCRIZIONE description	L w	CODICE code	KG	M <sup>3</sup>	COLLI	PREZZO price	(*) CODICE FINITURA (*) finish code		
MOBILE "LOCKER" locker cabinet   (Fig.DX/right)									
	<b>DX right</b>	<b>173 190 (*)</b>	16	0,040	2	<b>€ 93,00</b>	<b>(*)</b>		
	<b>SX left</b>	<b>173 191 (*)</b>					<b>000</b>	ARGENTO GOLF	<i>golf silver</i>
							<b>400</b>	BIANCO BR.	<i>br. white</i>
					<b>551</b>		ANTRACITE	<i>anthracite</i>	
						<b>844</b>	STONE GREY	<i>stone grey</i>	
CUSCINO PER ART.190-191 cushion for art. 190-191  							<b>B</b>	<b>D</b>	<b>E</b>
							CREPE	STRETCH	LANA
								MELANGE	
								TREVI	
									TAYLOR by Flukso
									GO CHECK by Gabriel
									RUNNER by Gabriel
<b>TESSUTO fabric</b>									
L45,1	<b>173 081 (*)</b>	2	0,009	1	<b>€ 67,00</b>	<b>€ 76,00</b>	<b>€ 80,00</b>	<b>€ 83,00</b>	<b>€ 89,00</b>
L.45,6 x p.42,2 x H.49,7									
CUSCINO PER 2 ART.190-191 cushion for 2 art.190-191  							<b>B</b>	<b>D</b>	<b>E</b>
							CREPE	STRETCH	LANA
								MELANGE	
								TREVI	
									TAYLOR by Flukso
									GO CHECK by Gabriel
									RUNNER by Gabriel
<b>TESSUTO fabric</b>									
L91,2	<b>173 082 (*)</b>	3,5	0,018	1	<b>€ 81,00</b>	<b>€ 95,00</b>	<b>€ 101,00</b>	<b>€ 106,00</b>	<b>€ 116,00</b>
L.91,2 x p.42,2 x H.4									



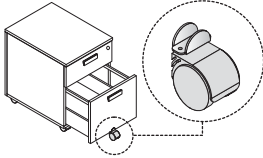
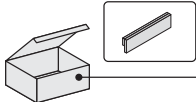
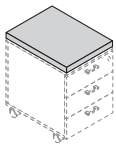


TOP PER CONTENITORE BASSO L.80 top for low cabinet w 80 cms																																		
DESCRIZIONE description	L w	CODICE code	KG	M <sup>3</sup>	COLLI	PREZZO price	(*) CODICE FINITURA (* finish code)																											
TOP PER MOBILE SOTTOPIANO top for undertop cabinets    L.80 x p.46,2 x H.2,5		PIANO sp. 25mm top thick. 25mm																																
	L.80	152 422 (*)	10	0,019	1	€ 31,00																												
							<table border="1"> <thead> <tr> <th>(*)</th> <th>TOP</th> <th>top</th> </tr> </thead> <tbody> <tr> <td>166</td> <td>NOCE PAVIA</td> <td>pavia walnut</td> </tr> <tr> <td>400</td> <td>BIANCO BR.</td> <td>br. white</td> </tr> <tr> <td>704</td> <td>ROVERE GREY</td> <td>grey oak</td> </tr> <tr> <td>733</td> <td>ROVERE</td> <td>oak</td> </tr> <tr> <td>844</td> <td>STONE GREY</td> <td>stone grey</td> </tr> <tr> <td>900</td> <td>WENGE'</td> <td>wenge</td> </tr> </tbody> </table>	(*)	TOP	top	166	NOCE PAVIA	pavia walnut	400	BIANCO BR.	br. white	704	ROVERE GREY	grey oak	733	ROVERE	oak	844	STONE GREY	stone grey	900	WENGE'	wenge						
(*)	TOP	top																																
166	NOCE PAVIA	pavia walnut																																
400	BIANCO BR.	br. white																																
704	ROVERE GREY	grey oak																																
733	ROVERE	oak																																
844	STONE GREY	stone grey																																
900	WENGE'	wenge																																
TOP PER MOBILE SOTTOPIANO top for undertop cabinets    L.80 x p.46,2 x H.		PIANO sp. 18mm top thick. 18mm	CON VENATURA TRASVERSALE transversal wood veining																															
	L.80	153 639 (*)	10	0,019	1	€ 28,00																												
			PIANO sp. 25mm top thick. 25mm	CON VENATURA TRASVERSALE transversal wood veining																														
	L.80	152 425 (*)	10	0,019	1	€ 31,00																												
TOP PER 2 MOBILI LATERALI top for 2 lateral cabinets    ART.463  L.46 x p.165,2 x H.		PIANO sp. 18mm top thick. 18mm	CON VENATURA TRASVERSALE transversal wood veining																															
	L.46	153 876 (*)	16	0,042	1	€ 45,00																												
			PIANO sp. 25mm top thick. 25mm	CON VENATURA TRASVERSALE transversal wood veining																														
	L.46	152 276 (*)	14	0,042	1	€ 53,00																												
							<table border="1"> <thead> <tr> <th>(*)</th> <th>TOP</th> <th>top</th> </tr> </thead> <tbody> <tr> <td>000</td> <td>ARGENTO GOLF</td> <td>golf silver</td> </tr> <tr> <td>166</td> <td>NOCE PAVIA</td> <td>pavia walnut</td> </tr> <tr> <td>400</td> <td>BIANCO BR.</td> <td>br. white</td> </tr> <tr> <td>551</td> <td>ANTRACITE</td> <td>anthracite</td> </tr> <tr> <td>704</td> <td>ROVERE GREY</td> <td>grey oak</td> </tr> <tr> <td>733</td> <td>ROVERE</td> <td>oak</td> </tr> <tr> <td>844</td> <td>STONE GREY</td> <td>stone grey</td> </tr> <tr> <td>900</td> <td>WENGE'</td> <td>wenge</td> </tr> </tbody> </table>	(*)	TOP	top	000	ARGENTO GOLF	golf silver	166	NOCE PAVIA	pavia walnut	400	BIANCO BR.	br. white	551	ANTRACITE	anthracite	704	ROVERE GREY	grey oak	733	ROVERE	oak	844	STONE GREY	stone grey	900	WENGE'	wenge
	(*)	TOP	top																															
000	ARGENTO GOLF	golf silver																																
166	NOCE PAVIA	pavia walnut																																
400	BIANCO BR.	br. white																																
551	ANTRACITE	anthracite																																
704	ROVERE GREY	grey oak																																
733	ROVERE	oak																																
844	STONE GREY	stone grey																																
900	WENGE'	wenge																																

**CASSETTIERE SU RUOTE***mobile pedestals*





DESCRIZIONE <i>description</i>	CODICE <i>code</i>	KG	M <sup>3</sup>	COLLI	PREZZO <i>price</i>	(*) CODICE FINITURA <i>(*) finish code</i>				
CASSETTIERA SU RUOTE 3 CASSETTI (CON SERRATURA) <i>mobile pedestal with 3 drawers (with lock)</i>    L.42,1 x p.55,2 x H.57,3	<b>CASSETTI IN LEGNO</b> <i>wooden drawers</i>		<b>CON CHIUSURA AMMORTIZZATA</b> <i>with soft-close</i>			(**) ARGENTO GOLF <i>golf silver</i> 400 BIANCO BR. <i>br. white</i> 551 ANTRACITE <i>anthracite</i> 611 GIALLO FRESIA <i>freesia yellow</i> 632 AZZURRO SKY <i>sky blue</i> 633 AMARANTO <i>amaranth</i> 696 VERDE BOSCO <i>wood green</i> 844 STONE GREY <i>stone grey</i>				
	152 780 (*)	24	0,152	1	€ 204,00					
	<b>CASSETTI IN METALLO</b> <i>metal drawers</i>		<b>CON CHIUSURA AMMORTIZZATA</b> <i>with soft-close</i>							
	152 781 (*)	26	0,152	1	€ 341,00	VERSIONE BI-COLORE / <i>double-color version</i>				
						(*)	FRONTALI + SCHIENA + TOP	STRUTTURA	fronts + back panel + top	structure
						003	ROVERE	ARGENTO GOLF	oak	golf silver
						004	ROVERE GREY	ARGENTO GOLF	grey oak	golf silver
						011	GIALLO FRESIA	ARGENTO GOLF	freesia yellow	golf silver
						032	AZZURRO SKY	ARGENTO GOLF	sky blue	golf silver
						033	AMARANTO	ARGENTO GOLF	amaranth	golf silver
						040	BIANCO BR.	ARGENTO GOLF	br. white	golf silver
						044	STONE GREY	ARGENTO GOLF	stone grey	golf silver
						051	ANTRACITE	ARGENTO GOLF	anthracite	golf silver
						066	NOCE PAVIA	ARGENTO GOLF	pavia walnut	golf silver
						090	WENGE'	ARGENTO GOLF	wengè	golf silver
						096	VERDE BOSCO	ARGENTO GOLF	wood green	golf silver
CASSETTIERA-CLASSIFICATORE SU RUOTE (CON SERRATURA) <i>mobile pedestal with file-drawer (with lock)</i>    L.42,1 x p.55,2 x H.57,3	<b>CASSETTI IN LEGNO</b> <i>wooden drawers</i>		<b>CON CHIUSURA AMMORTIZZATA</b> <i>with soft-close</i>			403	ROVERE	BIANCO BR.	oak	br. white
	152 782 (*)	23	0,152	1	€ 226,00	404	ROVERE GREY	BIANCO BR.	grey oak	br. white
	<b>CASSETTI IN METALLO</b> <i>metal drawers</i>		<b>CON CHIUSURA AMMORTIZZATA</b> <i>with soft-close</i>			405	ARGENTO GOLF	BIANCO BR.	golf silver	br. white
	152 783 (*)	25	0,152	1	€ 333,00	411	GIALLO FRESIA	BIANCO BR.	freesia yellow	br. white
						432	AZZURRO SKY	BIANCO BR.	sky blue	br. white
						433	AMARANTO	BIANCO BR.	amaranth	br. white
						444	STONE GREY	BIANCO BR.	stone grey	br. white
						451	ANTRACITE	BIANCO BR.	anthracite	br. white
						466	NOCE PAVIA	BIANCO BR.	pavia walnut	br. white
						490	WENGE'	BIANCO BR.	wengè	br. white
						496	VERDE BOSCO	BIANCO BR.	wood green	br. white
						503	ROVERE	ANTRACITE	oak	anthracite
						504	ROVERE GREY	ANTRACITE	grey oak	anthracite
						506	ARGENTO GOLF	ANTRACITE	golf silver	anthracite
						511	GIALLO FRESIA	ANTRACITE	freesia yellow	anthracite
						532	AZZURRO SKY	ANTRACITE	sky blue	anthracite
						533	AMARANTO	ANTRACITE	amaranth	anthracite
						541	BIANCO BR.	ANTRACITE	br. white	anthracite
						544	STONE GREY	ANTRACITE	stone grey	anthracite
						566	NOCE PAVIA	ANTRACITE	pavia walnut	anthracite
						591	WENGE'	ANTRACITE	wengè	anthracite
						596	VERDE BOSCO	ANTRACITE	wood green	anthracite
						803	ROVERE	STONE GREY	oak	stone grey
						804	ROVERE GREY	STONE GREY	grey oak	stone grey
						805	ARGENTO GOLF	STONE GREY	golf silver	stone grey
						811	GIALLO FRESIA	STONE GREY	freesia yellow	stone grey
						832	AZZURRO SKY	STONE GREY	sky blue	stone grey
					833	AMARANTO	STONE GREY	amaranth	stone grey	
					840	BIANCO BR.	STONE GREY	br. white	stone grey	
					851	ANTRACITE	STONE GREY	anthracite	stone grey	
					866	NOCE PAVIA	STONE GREY	pavia walnut	stone grey	
					890	WENGE'	STONE GREY	wengè	stone grey	
					896	VERDE BOSCO	STONE GREY	wood green	stone grey	
CASSETTIERA SU RUOTE 3 CASSETTI+1 PORTA-CANCELLERIA (CON SERRATURA) <i>3 drawers pedestal + 1 stationery-drawer on wheels (with lock)</i>    L.42,1 x p.55,2 x H.57,3	<b>CASSETTI IN LEGNO</b> <i>wooden drawers</i>		<b>CON CHIUSURA AMMORTIZZATA</b> <i>with soft-close</i>			152 784 (*)	24	0,152	1	€ 247,00
	<b>CASSETTI IN METALLO</b> <i>metal drawers</i>		<b>CON CHIUSURA AMMORTIZZATA</b> <i>with soft-close</i>			152 785 (*)	26	0,152	1	€ 384,00



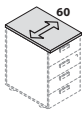
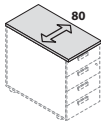
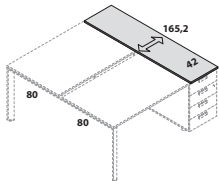
ACCESSORI PER CASSETTIERE SU RUOTE accessories for pedestals on wheels									
DESCRIZIONE description	CODICE code	KG	M <sup>3</sup>	COLLI	PREZZO price	(*) CODICE FINITURA (*) finish code			
5a RUOTA OPZIONALE PER CASSETTIERA CLASSIFICATORE <i>fifth optional wheels for file-pedestal</i>  	175 105 (*)	1	0,001	1	€ 13,00	(*)			
						PIASTRINO plate	RUOTA wheels		
KIT 6 MANIGLIE <i>set of 6 handles</i>   <b>6 PEZZI</b> <i>6 pieces</i>  L.12 x p.1 x H.3	152 358 (*)	1,5	0,001	1	€ 38,00	(*)			
						000	ARGENTO silver		
						166	NOCE PAVIA <i>pavia walnut</i>		
						400	BIANCO BR. <i>br. white</i>		
						551	ANTRACITE <i>anthracite</i>		
						611	GIALLO FRESIA <i>freesia yellow</i>		
						632	AZZURRO SKY <i>sky blue</i>		
						633	AMARANTO <i>amaranth</i>		
						696	VERDE BOSCO <i>wood green</i>		
						704	ROVERE GREY <i>grey oak</i>		
						733	ROVERE <i>oak</i>		
						844	STONE GREY <i>stone grey</i>		
						900	WENGE' <i>wenge</i>		
CUSCINO PER CASSETTIERE SU RUOTE <i>cushion for pedestals on wheels</i>    L.42,1 x p.55,2 x H.3	TESSUTO <i>fabric</i> 114 958 (*)	2	0,009	1	€ 69,00	B			
						CREPE	D	E	F
						STRETCH	LANA	TAYLOR by Flukso	GO CHECK by Gabriel RUNNER by Gabriel
						MELANGE			
						TREVI			
						€ 78,00	€ 82,00	€ 85,00	€ 91,00

## CASSETTIERE-BASI O LATERALI PER PIANI PROF. CM 60-80

base or lateral pedestals for desktops depth 60-80 cms

DESCRIZIONE description	L w	CODICE code	KG	M <sup>3</sup>	COLLI 	PREZZO price	(*) CODICE FINITURA (* finish code)
CASSETTIERA-BASE O LATERALE 4 CASSETTI (PROF. CM 60) base or lateral pedestal with 4 drawers (depth 60 cms)		<b>CASSETTI IN LEGNO wooden drawers</b>					
		<b>CON CHIUSURA AMMORTIZZATA with soft-close</b>					
	L.42	152 <b>764</b> (*)	32	0,210	1	€ 273,00	VERSIONE MONO-COLORE / single-color version
L.42 x p.60 x H.71							(*)
							000 ARGENTO GOLF golf silver
							400 BIANCO BR. br. white
							551 ANTRACITE anthracite
							844 STONE GREY stone grey
							VERSIONE BI-COLORE / double-color version
							(*) FRONTALI + SCHIENA STRUCTURA fronts + back panel structure
							003 ROVERE ARGENTO GOLF oak golf silver
							004 ROVERE GREY ARGENTO GOLF grey oak golf silver
							011 GIALLO FRESIA ARGENTO GOLF freesia yellow golf silver
							032 AZZURRO SKY ARGENTO GOLF sky blue golf silver
							033 AMARANTO ARGENTO GOLF amaranth golf silver
							040 BIANCO BR. ARGENTO GOLF br. white golf silver
							044 STONE GREY ARGENTO GOLF stone grey golf silver
							051 ANTRACITE ARGENTO GOLF anthracite golf silver
							066 NOCE PAVIA ARGENTO GOLF pavia walnut golf silver
							090 WENGE' ARGENTO GOLF wengè golf silver
							096 VERDE BOSCO ARGENTO GOLF wood green golf silver
							403 ROVERE BIANCO BR. oak br. white
							404 ROVERE GREY BIANCO BR. grey oak br. white
							405 ARGENTO GOLF BIANCO BR. golf silver br. white
							411 GIALLO FRESIA BIANCO BR. freesia yellow br. white
							432 AZZURRO SKY BIANCO BR. sky blue br. white
							433 AMARANTO BIANCO BR. amaranth br. white
							444 STONE GREY BIANCO BR. stone grey br. white
							451 ANTRACITE BIANCO BR. anthracite br. white
							466 NOCE PAVIA BIANCO BR. pavia walnut br. white
							490 WENGE' BIANCO BR. wengè br. white
							496 VERDE BOSCO BIANCO BR. wood green br. white
							503 ROVERE ANTRACITE oak anthracite
							504 ROVERE GREY ANTRACITE grey oak anthracite
							506 ARGENTO GOLF ANTRACITE golf silver anthracite
							511 GIALLO FRESIA ANTRACITE freesia yellow anthracite
							532 AZZURRO SKY ANTRACITE sky blue anthracite
							533 AMARANTO ANTRACITE amaranth anthracite
							541 BIANCO BR. ANTRACITE br. white anthracite
							544 STONE GREY ANTRACITE stone grey anthracite
							566 NOCE PAVIA ANTRACITE pavia walnut anthracite
							591 WENGE' ANTRACITE wengè anthracite
							596 VERDE BOSCO ANTRACITE wood green anthracite
							803 ROVERE STONE GREY oak stone grey
							804 ROVERE GREY STONE GREY grey oak stone grey
							805 ARGENTO GOLF STONE GREY golf silver stone grey
							811 GIALLO FRESIA STONE GREY freesia yellow stone grey
							832 AZZURRO SKY STONE GREY sky blue stone grey
							833 AMARANTO STONE GREY amaranth stone grey
							840 BIANCO BR. STONE GREY br. white stone grey
							851 ANTRACITE STONE GREY anthracite stone grey
							866 NOCE PAVIA STONE GREY pavia walnut stone grey
							890 WENGE' STONE GREY wengè stone grey
							896 VERDE BOSCO STONE GREY wood green stone grey
CASSETTIERA-BASE O LATERALE CON 1 CLASSIFICATORE (PROF. CM 60) base or lateral pedestal with 1 file-drawer (depth 60 cms)		<b>CASSETTI IN LEGNO wooden drawers</b>					
		<b>CON CHIUSURA AMMORTIZZATA with soft-close</b>					
	L.42	152 <b>775</b> (*)	27	0,232	1	€ 287,00	
L.42 x p.60 x H.71							
CASSETTIERA-BASE O LATERALE 4 CASSETTI (PROF. CM 80) base or lateral pedestal with 4 drawers (depth 80 cms)		<b>CASSETTI IN LEGNO wooden drawers</b>					
		<b>CON CHIUSURA AMMORTIZZATA with soft-close</b>					
	L.42	152 <b>776</b> (*)	36	0,210	1	€ 282,00	
L.42 x p.80 x H.71							
CASSETTIERA-BASE O LATERALE CON 1 CLASSIFICATORE (PROF. CM 80) base or lateral pedestal 1 file-drawer (depth 80 cms)		<b>CASSETTI IN LEGNO wooden drawers</b>					
		<b>CON CHIUSURA AMMORTIZZATA with soft-close</b>					
	L.42	152 <b>777</b> (*)	31	0,232	1	€ 302,00	
L.42 x p.80 x H.71							

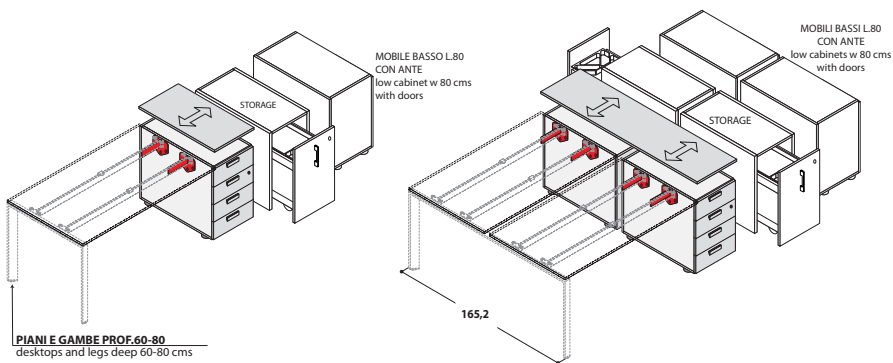


TOP PER CASSETTIERE-BASI <i>top for base-pedestals</i>							
DESCRIZIONE <i>description</i>	L <i>w</i>	CODICE <i>code</i>	KG	M <sup>3</sup>	COLLI	PREZZO <i>price</i>	(*) CODICE FINITURA <i>(*) finish code</i>
TOP PER CASSETTIERA PROF. CM 60 <i>top for pedestal depth 60 cms</i>    L.42 x p.60 x H.		PIANO sp. 18mm <i>top thick. 18mm</i>					
	L.42	153 871 (*)	3	0,014	1	€ 18,00	
		PIANO sp. 25mm <i>top thick. 25mm</i>					
L.42	152 448 (*)	3	0,014	1	€ 21,00		
TOP PER CASSETTIERA PROF. CM 80 <i>top for pedestal depth 80 cms</i>    L.42 x p.80 x H.		PIANO sp. 18mm <i>top thick. 18mm</i>					(*) TOP
	L.42	153 872 (*)	4	0,017	1	€ 23,00	000 ARGENTO GOLF <i>golf silver</i>
		PIANO sp. 25mm <i>top thick. 25mm</i>					166 NOCE PAVIA <i>pavia walnut</i>
L.42	152 449 (*)	6	0,017	1	€ 28,00	400 BIANCO BR. <i>br. white</i>	
							551 ANTRACITE <i>anthracite</i>
							704 ROVERE GREY <i>grey oak</i>
							733 ROVERE <i>oak</i>
							844 STONE GREY <i>stone grey</i>
							900 WENGÈ <i>wenge</i>
TOP PER 2 CASSETTIERE LATERALI O STORAGE PROF. CM 80 <i>top for 2 lateral pedestals or storage depth 80 cms</i>    L.42 x p.165,2 x H.		PIANO sp. 18mm <i>top thick. 18mm</i>					
	L.42	153 874 (*)	14	0,042	1	€ 41,00	
		PIANO sp. 25mm <i>top thick. 25mm</i>					
L.42	152 274 (*)	11	0,042	1	€ 51,00		

**SCHEMA DI UTILIZZO CASSETTIERE-BASI, STORAGE O MOBILE BASSO L.80**  
*scheme of using pedestals, storage or low cabinet w 80 cms*

**BENCH**

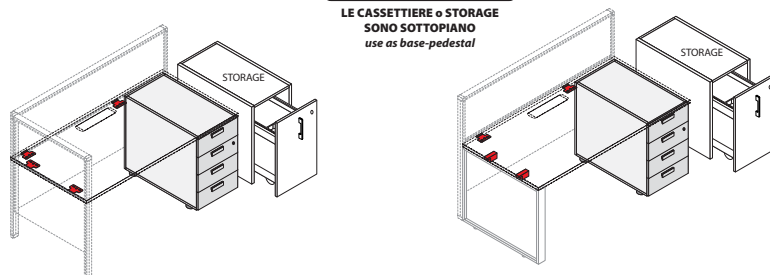
LE CASSETTIERE, STORAGE o MOBILE L.80 SONO IN ACCOSTAMENTO E DEVONO ESSERE COMPLETATI CON TOP DI FINITURA  
*the pedestals, storage or cabinet w 80 cms are placed on the side and must be completed with top*



↔ = VENATURA LEGNO / wood veining

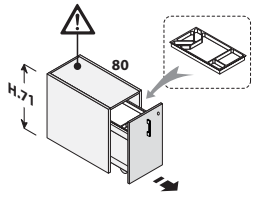
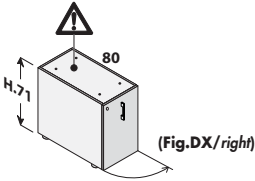
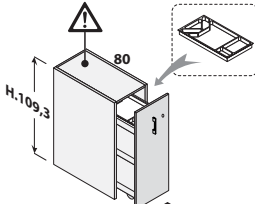
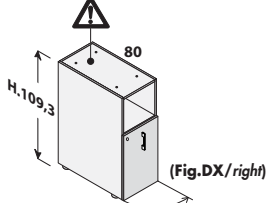
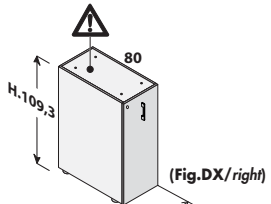
**SYSTEM**

LE CASSETTIERE o STORAGE SONO SOTTOPIANO  
*use as base-pedestal*

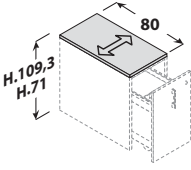
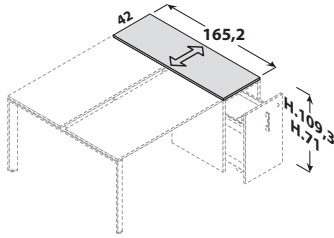
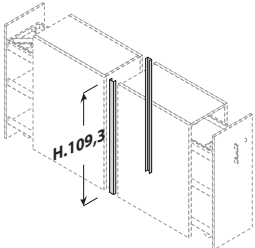


**STORAGE PER PIANI PROF. CM 80**

storage for desk tops depth 80 cms




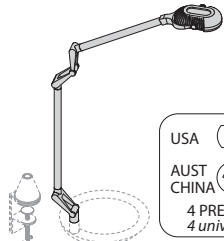




DESCRIZIONE description	L w	CODICE code	KG	M <sup>3</sup>	COLLI	PREZZO price	(*) CODICE FINITURA (* finish code)
STORAGE H.71 CON CASSETTO ESTRAIBILE (DOTATO DI VASCHETTA PORTA-CANCELLERIA) storage h.71 cms with pull-out drawer (with stationery tray)	L42	152 441 (*)	43	0,157	5	€ 448,00	
	PER USO LATERALE COMPLETARE SEMPRE CON TOP DI FINITURA (VEDI PAGINA SEGUENTE) for lateral use always complete with finish top (please see next page)						VERSIONE MONO-COLORE / single-color version
L.42 x p.80 x H.71							(*)
							000 ARGENTO GOLF golf silver
							400 BIANCO BR. br. white
							551 ANTRACITE anthracite
							844 STONE GREY stone grey
							VERSIONE BI-COLORE / double-color version
							(*) FRONTALI STRUTTURA fronts structure
							003 ROVERE ARGENTO GOLF oak golf silver
							004 ROVERE GREY ARGENTO GOLF grey oak golf silver
							011 GIALLO FRESIA ARGENTO GOLF freesia yellow golf silver
							032 AZZURRO SKY ARGENTO GOLF sky blue golf silver
							033 AMARANTO ARGENTO GOLF amaranth golf silver
							040 BIANCO BR. ARGENTO GOLF br. white golf silver
							044 STONE GREY ARGENTO GOLF stone grey golf silver
							051 ANTRACITE ARGENTO GOLF anthracite golf silver
							066 NOCE PAVIA ARGENTO GOLF pavia walnut golf silver
							090 WENGÈ' ARGENTO GOLF wengè golf silver
							096 VERDE BOSCO ARGENTO GOLF wood green golf silver
							403 ROVERE BIANCO BR. oak br. white
							404 ROVERE GREY BIANCO BR. grey oak br. white
							405 ARGENTO GOLF BIANCO BR. golf silver br. white
							411 GIALLO FRESIA BIANCO BR. freesia yellow br. white
							432 AZZURRO SKY BIANCO BR. sky blue br. white
							433 AMARANTO BIANCO BR. amaranth br. white
							444 STONE GREY BIANCO BR. stone grey br. white
							451 ANTRACITE BIANCO BR. anthracite br. white
							466 NOCE PAVIA BIANCO BR. pavia walnut br. white
							490 WENGÈ' BIANCO BR. wengè br. white
							496 VERDE BOSCO BIANCO BR. wood green br. white
							503 ROVERE ANTRACITE oak anthracite
							504 ROVERE GREY ANTRACITE grey oak anthracite
							506 ARGENTO GOLF ANTRACITE golf silver anthracite
							511 GIALLO FRESIA ANTRACITE freesia yellow anthracite
							532 AZZURRO SKY ANTRACITE sky blue anthracite
							533 AMARANTO ANTRACITE amaranth anthracite
							541 BIANCO BR. ANTRACITE br. white anthracite
							544 STONE GREY ANTRACITE stone grey anthracite
							566 NOCE PAVIA ANTRACITE pavia walnut anthracite
							591 WENGÈ' ANTRACITE wengè anthracite
							596 VERDE BOSCO ANTRACITE wood green anthracite
							803 ROVERE STONE GREY oak stone grey
							804 ROVERE GREY STONE GREY grey oak stone grey
							805 ARGENTO GOLF STONE GREY golf silver stone grey
							811 GIALLO FRESIA STONE GREY freesia yellow stone grey
							832 AZZURRO SKY STONE GREY sky blue stone grey
							833 AMARANTO STONE GREY amaranth stone grey
							840 BIANCO BR. STONE GREY br. white stone grey
							851 ANTRACITE STONE GREY anthracite stone grey
							866 NOCE PAVIA STONE GREY pavia walnut stone grey
							890 WENGÈ' STONE GREY wengè stone grey
							896 VERDE BOSCO STONE GREY wood green stone grey
STORAGE H.71 CON ANTA CON SERRATURA storage h.71 cms with wooden door with lock	L42	152 616 (*)	33	0,114	3	€ 164,00	
	PER USO LATERALE COMPLETARE SEMPRE CON TOP DI FINITURA (VEDI PAGINA SEGUENTE) for lateral use always complete with finish top (please see next page)						
L.42 x p.80 x H.71							
STORAGE H.109.3 CON CASSETTO ESTRAIBILE (DOTATO DI VASCHETTA PORTA-CANCELLERIA) storage h.109,3 cms with pull-out drawer (with stationery tray)	L42	152 443 (*)	64	0,226	5	€ 581,00	
	PER USO LATERALE COMPLETARE SEMPRE CON TOP DI FINITURA (VEDI PAGINA SEGUENTE) for lateral use always complete with finish top (please see next page)						
L.42 x p.80 x H.109,3							
STORAGE H.109.3 CON ANTA CON SERRATURA storage h.109,3 with wooden door with lock	DX right	L42	152 618 (*)	46	0,195	3	€ 221,00
	SX left	L42	152 619 (*)				
L.42 x p.80 x H.109,3	PER USO LATERALE COMPLETARE SEMPRE CON TOP DI FINITURA (VEDI PAGINA SEGUENTE) for lateral use always complete with finish top (please see next page)						
STORAGE H.109.3 CON ANTA CON SERRATURA storage h.109,3 with wooden door with lock	DX right	L42	152 621 (*)	48	0,206	3	€ 229,00
	SX left	L42	152 622 (*)				
L.42 x p.80 x H.109,3	PER USO LATERALE COMPLETARE SEMPRE CON TOP DI FINITURA (VEDI PAGINA SEGUENTE) for lateral use always complete with finish top (please see next page)						



TOP PER STORAGE																																		
top for storage																																		
DESCRIZIONE description	P d	CODICE code	KG	M <sup>3</sup>	COLLI	PREZZO price	(*) CODICE FINITURA (* finish code)																											
TOP SINGOLO single top    L.42 x p. x H.		PIANO sp. 18mm top thick. 18mm																																
	p.80	153 872 (*)	4	0,017	1	€ 23,00																												
		PIANO sp. 25mm top thick. 25mm																																
	p.80	152 449 (*)	6	0,017	1	€ 28,00																												
							<table border="1"> <thead> <tr> <th>(*)</th> <th>TOP</th> <th>top</th> </tr> </thead> <tbody> <tr> <td>000</td> <td>ARGENTO GOLF</td> <td>golf silver</td> </tr> <tr> <td>166</td> <td>NOCE PAVIA</td> <td>pavia walnut</td> </tr> <tr> <td>400</td> <td>BIANCO BR.</td> <td>br. white</td> </tr> <tr> <td>551</td> <td>ANTRACITE</td> <td>anthracite</td> </tr> <tr> <td>704</td> <td>ROVERE GREY</td> <td>grey oak</td> </tr> <tr> <td>733</td> <td>ROVERE</td> <td>oak</td> </tr> <tr> <td>844</td> <td>STONE GREY</td> <td>stone grey</td> </tr> <tr> <td>900</td> <td>WENGE'</td> <td>wenge</td> </tr> </tbody> </table>	(*)	TOP	top	000	ARGENTO GOLF	golf silver	166	NOCE PAVIA	pavia walnut	400	BIANCO BR.	br. white	551	ANTRACITE	anthracite	704	ROVERE GREY	grey oak	733	ROVERE	oak	844	STONE GREY	stone grey	900	WENGE'	wenge
(*)	TOP	top																																
000	ARGENTO GOLF	golf silver																																
166	NOCE PAVIA	pavia walnut																																
400	BIANCO BR.	br. white																																
551	ANTRACITE	anthracite																																
704	ROVERE GREY	grey oak																																
733	ROVERE	oak																																
844	STONE GREY	stone grey																																
900	WENGE'	wenge																																
TOP PER 2 STORAGE top for 2 storage    L.42 x p. x H.		PIANO sp. 18mm top thick. 18mm																																
	p.165,2	153 874 (*)	14	0,042	1	€ 41,00																												
		PIANO sp. 25mm top thick. 25mm																																
	p.165,2	152 274 (*)	11	0,042	1	€ 51,00																												
2 COPERTURE LATERALI PER STORAGE 2 side covers for storage    L.5,2 x p.5,2 x H.109,3																																		
		152 450 (*)	4	0,007	1	€ 85,00	<table border="1"> <thead> <tr> <th>(*)</th> <th>TOP</th> <th>top</th> </tr> </thead> <tbody> <tr> <td>000</td> <td>ARGENTO</td> <td>silver</td> </tr> <tr> <td>400</td> <td>BIANCO</td> <td>white</td> </tr> <tr> <td>551</td> <td>ANTRACITE</td> <td>anthracite</td> </tr> <tr> <td>844</td> <td>STONE GREY</td> <td>stone grey</td> </tr> </tbody> </table>	(*)	TOP	top	000	ARGENTO	silver	400	BIANCO	white	551	ANTRACITE	anthracite	844	STONE GREY	stone grey												
(*)	TOP	top																																
000	ARGENTO	silver																																
400	BIANCO	white																																
551	ANTRACITE	anthracite																																
844	STONE GREY	stone grey																																

**ACCESSORI**

accessories


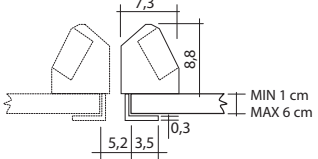
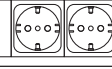


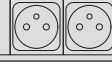





DESCRIZIONE <i>description</i>	L <i>w</i>	CODICE <i>code</i>	KG 	M <sup>3</sup> 	COLLI 	PREZZO <i>price</i>	(*) CODICE FINITURA <i>(*) finish code</i>
BRACCIO SNODATO PORTA-VIDEO CON MORSETTO PER ANCORAGGIO A PIANI DI LAVORO (PORTATA MAX. KG 9- DIMENSIONI DA 15" A 23") <i>articulated rotating video stand arm+clamp for fixing to work tops (max capacity Kg 9- sizes 15"-23")</i>		152 362 (*)	3	0,006	1	€ 263,00	
LAMPADA A LED - 5 Watt (con 4 prese universali intercambiabili) <i>led lamp - 5 Watt (4 interchangeable plugs)</i>		152 753 (*)	0,8	0,002	1	€ 387,00	
 <p>USA  EU </p> <p>AUST  CHINA </p> <p>4 PRESE UNIVERSALI 4 universal plugs</p> <p>MORSETTO O BASE <i>clamp or base</i></p> <p>← →</p>		COMPLETARE SEMPRE CON BASE ART.349 OPPURE MORSETTO ART.361 <i>always complete with base art.349 or clamp art.361</i>					(*)
	000	ARGENTO	silver				
BASE PER LAMPADA ART.753 <i>base for lamp art.753</i>		152 349 (*)	1	0,002	1	€ 55,00	
Ø 23							
MORSETTO PER ANCORAGGIO LAMPADA ART.753 A PIANI DI LAVORO <i>clamp for fixing lamp art.753 to work tops</i>		152 361 (*)	0,5	0,002	1	€ 38,00	
VASCETTA PASSA-CAVI PER TOP ACCESS <i>cable-tray for top access</i>		152 348 (*)	1	0,012	1	€ 29,00	
							(*)
	400	BIANCO	white				
	551	ANTRACITE	anthracite				
	844	STONE GREY	stone grey				
L.22 x p.9,7 x H.10							






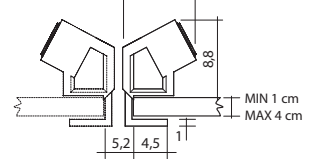
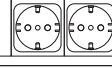


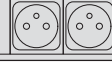




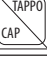
**KIT ELETRIFICAZIONE tipo K1 (BACHMANN)**  
*electrification kit type K1 (by Bachmann)*



DESCRIZIONE <i>description</i>	L <i>w</i>	CODICE <i>code</i>	KG	M <sup>3</sup>	COLLI <i>PCS</i>	PREZZO <i>price</i>	(*) CODICE FINITURA <i>(*) finish code</i>	
<p>1 KIT ELETRIFICAZIONE ORIZZONTALE CON MORSETTO PER FISSAGGIO A SCRIVANIA (CON CAVO DI ALIMENTAZIONE MT. 2,00 E PRESE STANDARD) CON 1 MODULO PERSONALIZZABILE OPTIONAL <i>1 electrification kit with fixing clamp on desktop (power cable of w 2 lmt. and standard sockets) with 1 customizable module (OPTIONAL)</i></p>  <p><b>NON DISPONIBILE PER MERCATO U.S.A.</b> <i>not available for US market</i></p>  <p>L.28,1 x p.7,3 x H.8,8</p>		<b>175 117 (*)</b>	1,5	0,010	<b>2</b>	<b>€ 257,00</b>		
					<p>2 PRESE STANDARD ITALIA GERMANIA(SCHUKO)+2 CHARGER USB+1 TAPPO <i>2 Italia/Germany standard sockets+ 2 charger USB+1 cap</i></p>			
		<b>175 118 (*)</b>	1,5	0,010	<b>2</b>	<b>€ 243,00</b>		
					<p>2 PRESE STANDARD FRANCIA+2 CHARGER USB +1 TAPPO <i>2 France standard sockets + 2 charger USB + 1 cap</i></p>			(*)
		<b>175 119 (*)</b>	1,5	0,010	<b>2</b>	<b>€ 270,00</b>	<b>000</b> ARGENTO <i>silver</i>	
					<p>2 PRESE STANDARD INGLESI+2 CHARGER USB +1 TAPPO <i>2 BRITISH standard sockets + 2 charger USB +1 cap</i></p>			




**KIT ELETRIFICAZIONE tipo K2 (BACHMANN)**  
*electrification kit type K2 (by Bachmann)*



DESCRIZIONE <i>description</i>	L <i>w</i>	CODICE <i>code</i>	KG	M <sup>3</sup>	COLLI <i>PCS</i>	PREZZO <i>price</i>	(*) CODICE FINITURA <i>(*) finish code</i>	
<p>1 KIT ELETRIFICAZIONE ORIZZONTALE CON MORSETTO PER FISSAGGIO A SCRIVANIA (CON CAVO DI ALIMENTAZIONE MT. 2,00 E PRESE STANDARD) CON 1 MODULO PERSONALIZZABILE OPTIONAL <i>1 electrification kit with fixing clamp on desktop (power cable of w 2 lmt. and standard sockets) with 1 customizable module (OPTIONAL)</i></p>  <p><b>NON DISPONIBILE PER MERCATO U.S.A.</b> <i>not available for US market</i></p>  <p>L.28,1 x p.8,5 x H.8,8</p>		<b>175 120 (*)</b>	1,5	0,010	<b>2</b>	<b>€ 317,00</b>		
					<p>2 PRESE STANDARD ITALIA GERMANIA(SCHUKO)+2 CHARGER USB +1 TAPPO <i>2 Italia/Germany standard sockets + 2 charger USB + 1 cap</i></p>			
		<b>175 121 (*)</b>	1,5	0,010	<b>2</b>	<b>€ 285,00</b>		
					<p>2 PRESE STANDARD FRANCIA+2 CHARGER USB +1 TAPPO <i>2 France standard sockets + 2 charger USB + 1 cap</i></p>			(*)
		<b>175 122 (*)</b>	1,5	0,010	<b>2</b>	<b>€ 343,00</b>	<b>450</b> BIANCO <i>white</i> <b>500</b> NERO <i>black</i>	
					<p>2 PRESE STANDARD INGLESI+2 CHARGER USB +1 TAPPO <i>2 BRITISH standard sockets + 2 charger USB +1 cap</i></p>			

**MODULI PERSONALIZZABILI (BACHMANN)**  
*customizable modules (by Bachmann)*



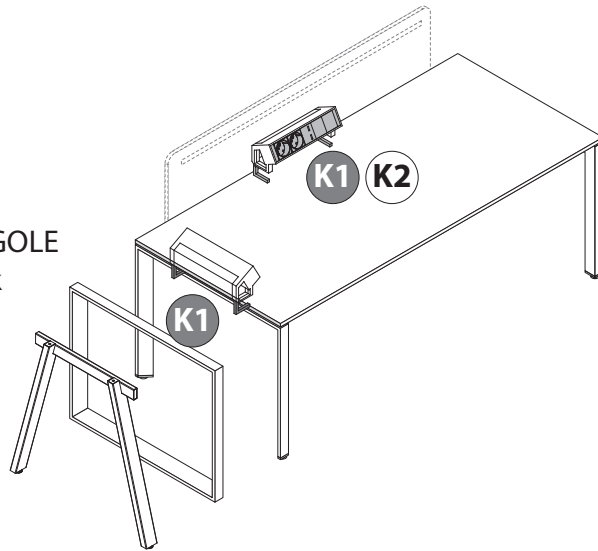
DESCRIZIONE <i>description</i>	L <i>w</i>	CODICE <i>code</i>	KG	M <sup>3</sup>	COLLI <i>PCS</i>	PREZZO <i>price</i>	(*) CODICE FINITURA <i>(*) finish code</i>
<p>1 MODULO PERSONALIZZABILE <i>1 customizable module</i></p> <p>RIMUOVERE IL TAPPO IN DOTAZIONE E INSERIRE QUI <i>REMOVE THE CAP AND INSERT HERE</i></p>  <p>L.4,5 x H.4,5</p>		 <b>1 RJ45 CAT.6</b>	<b>175 123 (*)</b>	0,5	0,001	<b>1</b>	<b>€ 39,00</b>
		 <b>2 RJ45 CAT.6</b>	<b>175 124 (*)</b>	0,5	0,001	<b>1</b>	<b>€ 73,00</b>
		 <b>1 RJ45 CAT.6</b> <b>1 HDMI</b>	<b>175 125 (*)</b>	0,5	0,001	<b>1</b>	<b>€ 73,00</b>
							<b>500</b> NERO <i>black</i>



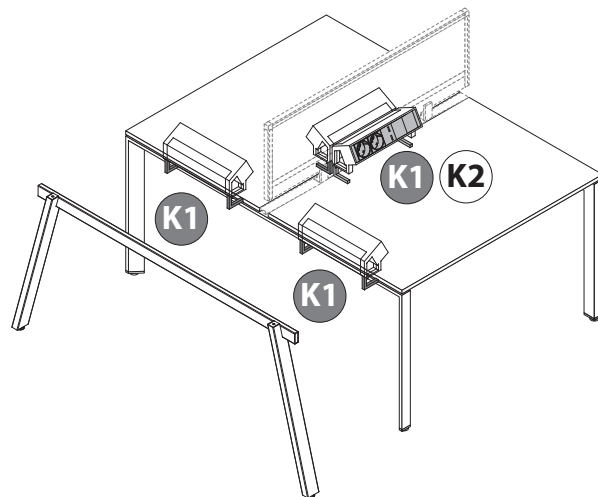
**SCHEMA DI UTILIZZO KIT BACHMANN**  
*scheme of use Bachmann electrification kit*

**BACH  
 MANN**

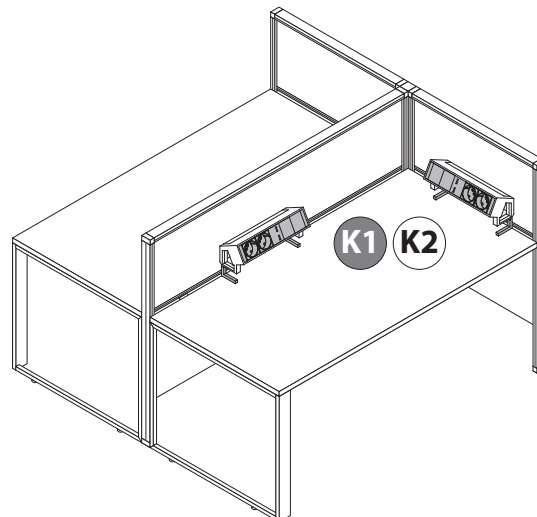
SCRIVANIE SINGOLE  
 single desk



BENCH



SYSTEM

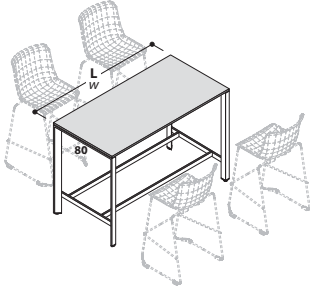
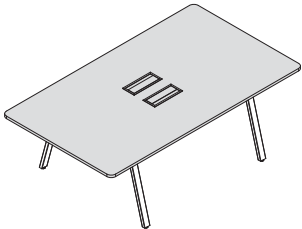


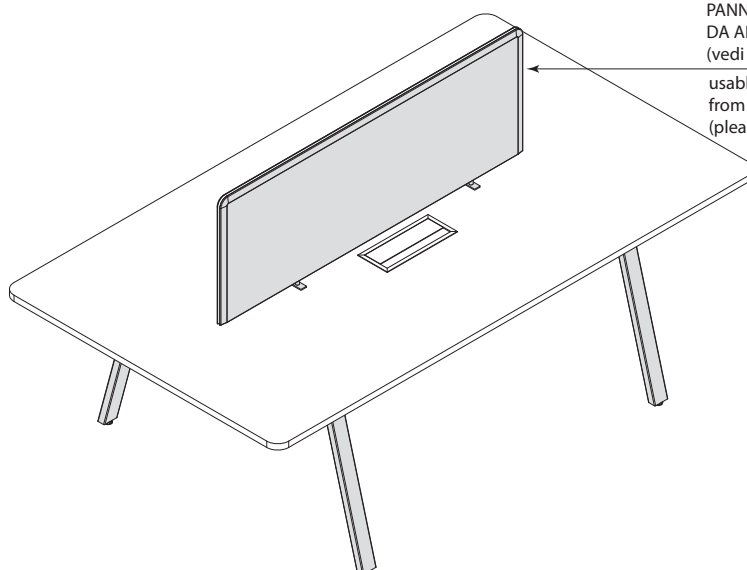
# Team & Meeting tables



**TAVOLI TEAM (PIANI SP. 18mm)**

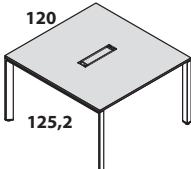
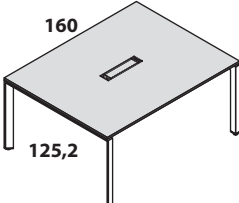
team tables (tops thick. 18mm)

DESCRIZIONE description	L w	CODICE code	KG	M <sup>3</sup>	COLLI	PREZZO price	(*) CODICE FINITURA (* finish code)																																																																																																																												
TAVOLI TEAM team tables  L. x p.80 x H.105	L.160	153 <b>267</b> (*)	46	0,174	4	€ 654,00																																																																																																																													
	L.180	153 <b>268</b> (*)	50	0,183	4	€ 685,00																																																																																																																													
	<div style="text-align: center;"><b>★ GAMBE VERNICIATE / painted legs</b></div> <table border="1"> <thead> <tr> <th>(*)</th> <th>PIANO</th> <th>STRUTTURA</th> <th>top</th> <th>structure</th> </tr> </thead> <tbody> <tr><td>003</td><td>ROVERE</td><td>ARGENTO</td><td>oak</td><td>silver</td></tr> <tr><td>004</td><td>ROVERE GREY</td><td>ARGENTO</td><td>grey oak</td><td>silver</td></tr> <tr><td>040</td><td>BIANCO BR.</td><td>ARGENTO</td><td>br. white</td><td>silver</td></tr> <tr><td>044</td><td>STONE GREY</td><td>ARGENTO</td><td>stone grey</td><td>silver</td></tr> <tr><td>066</td><td>NOCE PAVIA</td><td>ARGENTO</td><td>pavia walnut</td><td>silver</td></tr> <tr><td>090</td><td>WENGÈ</td><td>ARGENTO</td><td>wengè</td><td>silver</td></tr> <tr><td>400</td><td>BIANCO BR.</td><td>BIANCO</td><td>br. white</td><td>white</td></tr> <tr><td>403</td><td>ROVERE</td><td>BIANCO</td><td>oak</td><td>white</td></tr> <tr><td>404</td><td>ROVERE GREY</td><td>BIANCO</td><td>grey oak</td><td>white</td></tr> <tr><td>444</td><td>STONE GREY</td><td>BIANCO</td><td>stone grey</td><td>white</td></tr> <tr><td>466</td><td>NOCE PAVIA</td><td>BIANCO</td><td>pavia walnut</td><td>white</td></tr> <tr><td>490</td><td>WENGÈ</td><td>BIANCO</td><td>wengè</td><td>white</td></tr> <tr><td>503</td><td>ROVERE</td><td>ANTRACITE</td><td>oak</td><td>anthracite</td></tr> <tr><td>504</td><td>ROVERE GREY</td><td>ANTRACITE</td><td>grey oak</td><td>anthracite</td></tr> <tr><td>541</td><td>BIANCO BR.</td><td>ANTRACITE</td><td>br. white</td><td>anthracite</td></tr> <tr><td>544</td><td>STONE GREY</td><td>ANTRACITE</td><td>stone grey</td><td>anthracite</td></tr> <tr><td>566</td><td>NOCE PAVIA</td><td>ANTRACITE</td><td>pavia walnut</td><td>anthracite</td></tr> <tr><td>591</td><td>WENGÈ</td><td>ANTRACITE</td><td>wengè</td><td>anthracite</td></tr> <tr><td>803</td><td>ROVERE</td><td>STONE GREY</td><td>oak</td><td>stone grey</td></tr> <tr><td>804</td><td>ROVERE GREY</td><td>STONE GREY</td><td>grey oak</td><td>stone grey</td></tr> <tr><td>840</td><td>BIANCO BR.</td><td>STONE GREY</td><td>br. white</td><td>stone grey</td></tr> <tr><td>844</td><td>STONE GREY</td><td>STONE GREY</td><td>stone grey</td><td>stone grey</td></tr> <tr><td>866</td><td>NOCE PAVIA</td><td>STONE GREY</td><td>pavia walnut</td><td>stone grey</td></tr> <tr><td>890</td><td>WENGÈ</td><td>STONE GREY</td><td>wengè</td><td>stone grey</td></tr> </tbody> </table>							(*)	PIANO	STRUTTURA	top	structure	003	ROVERE	ARGENTO	oak	silver	004	ROVERE GREY	ARGENTO	grey oak	silver	040	BIANCO BR.	ARGENTO	br. white	silver	044	STONE GREY	ARGENTO	stone grey	silver	066	NOCE PAVIA	ARGENTO	pavia walnut	silver	090	WENGÈ	ARGENTO	wengè	silver	400	BIANCO BR.	BIANCO	br. white	white	403	ROVERE	BIANCO	oak	white	404	ROVERE GREY	BIANCO	grey oak	white	444	STONE GREY	BIANCO	stone grey	white	466	NOCE PAVIA	BIANCO	pavia walnut	white	490	WENGÈ	BIANCO	wengè	white	503	ROVERE	ANTRACITE	oak	anthracite	504	ROVERE GREY	ANTRACITE	grey oak	anthracite	541	BIANCO BR.	ANTRACITE	br. white	anthracite	544	STONE GREY	ANTRACITE	stone grey	anthracite	566	NOCE PAVIA	ANTRACITE	pavia walnut	anthracite	591	WENGÈ	ANTRACITE	wengè	anthracite	803	ROVERE	STONE GREY	oak	stone grey	804	ROVERE GREY	STONE GREY	grey oak	stone grey	840	BIANCO BR.	STONE GREY	br. white	stone grey	844	STONE GREY	STONE GREY	stone grey	stone grey	866	NOCE PAVIA	STONE GREY	pavia walnut	stone grey	890	WENGÈ	STONE GREY	wengè
(*)	PIANO	STRUTTURA	top	structure																																																																																																																															
003	ROVERE	ARGENTO	oak	silver																																																																																																																															
004	ROVERE GREY	ARGENTO	grey oak	silver																																																																																																																															
040	BIANCO BR.	ARGENTO	br. white	silver																																																																																																																															
044	STONE GREY	ARGENTO	stone grey	silver																																																																																																																															
066	NOCE PAVIA	ARGENTO	pavia walnut	silver																																																																																																																															
090	WENGÈ	ARGENTO	wengè	silver																																																																																																																															
400	BIANCO BR.	BIANCO	br. white	white																																																																																																																															
403	ROVERE	BIANCO	oak	white																																																																																																																															
404	ROVERE GREY	BIANCO	grey oak	white																																																																																																																															
444	STONE GREY	BIANCO	stone grey	white																																																																																																																															
466	NOCE PAVIA	BIANCO	pavia walnut	white																																																																																																																															
490	WENGÈ	BIANCO	wengè	white																																																																																																																															
503	ROVERE	ANTRACITE	oak	anthracite																																																																																																																															
504	ROVERE GREY	ANTRACITE	grey oak	anthracite																																																																																																																															
541	BIANCO BR.	ANTRACITE	br. white	anthracite																																																																																																																															
544	STONE GREY	ANTRACITE	stone grey	anthracite																																																																																																																															
566	NOCE PAVIA	ANTRACITE	pavia walnut	anthracite																																																																																																																															
591	WENGÈ	ANTRACITE	wengè	anthracite																																																																																																																															
803	ROVERE	STONE GREY	oak	stone grey																																																																																																																															
804	ROVERE GREY	STONE GREY	grey oak	stone grey																																																																																																																															
840	BIANCO BR.	STONE GREY	br. white	stone grey																																																																																																																															
844	STONE GREY	STONE GREY	stone grey	stone grey																																																																																																																															
866	NOCE PAVIA	STONE GREY	pavia walnut	stone grey																																																																																																																															
890	WENGÈ	STONE GREY	wengè	stone grey																																																																																																																															
TAVOLO TEAM L.220 CON 2 TOP-ACCESS E 1 VASCHETTA CENTRALE PASSA-CAVI INCLUSI team table w 220 cms with 2 top-access and 1 central cable-tray	L.220	173 <b>298</b> (*)	88,6	0,371	12	€ 855,00																																																																																																																													
 L.220 x p.125,2 x H.72,8																																																																																																																																			

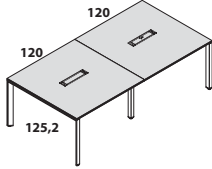
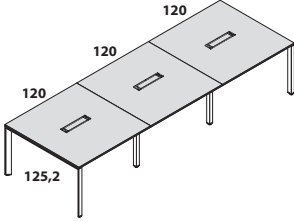
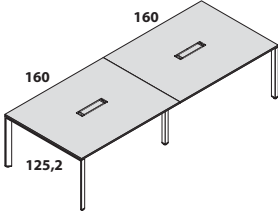
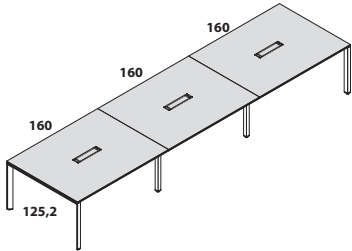


PANNELLI UTILIZZABILI:  
DA ART. 173072 ad ART. 173075  
(vedi pagina 40)

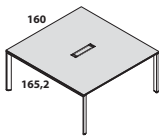
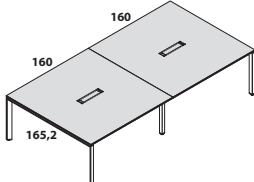
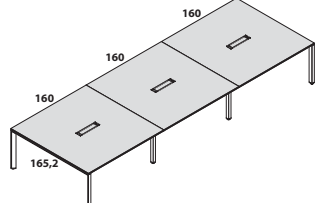
usable panels:  
from art.173072 to art.173075  
(please, you see page 40)

TAVOLI RIUNIONE (PIANI SP. 18mm) meeting tables (tops thick. 18mm)																																																																																																																																				
DESCRIZIONE description	L w	CODICE code	KG	M <sup>3</sup>	COLLI	PREZZO price	PREZZO price	(*) CODICE FINITURA (* finish code)																																																																																																																												
TAVOLI RIUNIONE L.120 x p.125,2 meeting table w 120 x d 125,2 cms    L.120 x p.125,2 x H.72,8	L.120	153 <b>180 (*)</b>	46	0,261	5	€ 500,00	€ 954,00	<input checked="" type="radio"/> <b>GAMBE VERNICIATE</b> ★ painted legs																																																																																																																												
								<input type="radio"/> <b>GAMBE CROMATE</b> ○ chromed legs																																																																																																																												
<input checked="" type="radio"/> <b>GAMBE VERNICIATE / painted legs</b>																																																																																																																																				
<table border="1"> <thead> <tr> <th>(*)</th> <th>PIANO</th> <th>STRUTTURA</th> <th>top</th> <th>structure</th> </tr> </thead> <tbody> <tr><td>003</td><td>ROVERE</td><td>ARGENTO</td><td>oak</td><td>silver</td></tr> <tr><td>004</td><td>ROVERE GREY</td><td>ARGENTO</td><td>grey oak</td><td>silver</td></tr> <tr><td>040</td><td>BIANCO BR.</td><td>ARGENTO</td><td>br. white</td><td>silver</td></tr> <tr><td>044</td><td>STONE GREY</td><td>ARGENTO</td><td>stone grey</td><td>silver</td></tr> <tr><td>066</td><td>NOCE PAVIA</td><td>ARGENTO</td><td>pavia walnut</td><td>silver</td></tr> <tr><td>090</td><td>WENGE'</td><td>ARGENTO</td><td>wengè</td><td>silver</td></tr> <tr><td>400</td><td>BIANCO BR.</td><td>BIANCO</td><td>br. white</td><td>white</td></tr> <tr><td>403</td><td>ROVERE</td><td>BIANCO</td><td>oak</td><td>white</td></tr> <tr><td>404</td><td>ROVERE GREY</td><td>BIANCO</td><td>grey oak</td><td>white</td></tr> <tr><td>444</td><td>STONE GREY</td><td>BIANCO</td><td>stone grey</td><td>white</td></tr> <tr><td>466</td><td>NOCE PAVIA</td><td>BIANCO</td><td>pavia walnut</td><td>white</td></tr> <tr><td>490</td><td>WENGE'</td><td>BIANCO</td><td>wengè</td><td>white</td></tr> <tr><td>503</td><td>ROVERE</td><td>ANTRACITE</td><td>oak</td><td>anthracite</td></tr> <tr><td>504</td><td>ROVERE GREY</td><td>ANTRACITE</td><td>grey oak</td><td>anthracite</td></tr> <tr><td>541</td><td>BIANCO BR.</td><td>ANTRACITE</td><td>br. white</td><td>anthracite</td></tr> <tr><td>544</td><td>STONE GREY</td><td>ANTRACITE</td><td>stone grey</td><td>anthracite</td></tr> <tr><td>566</td><td>NOCE PAVIA</td><td>ANTRACITE</td><td>pavia walnut</td><td>anthracite</td></tr> <tr><td>591</td><td>WENGE'</td><td>ANTRACITE</td><td>wengè</td><td>anthracite</td></tr> <tr><td>803</td><td>ROVERE</td><td>STONE GREY</td><td>oak</td><td>stone grey</td></tr> <tr><td>804</td><td>ROVERE GREY</td><td>STONE GREY</td><td>grey oak</td><td>stone grey</td></tr> <tr><td>840</td><td>BIANCO BR.</td><td>STONE GREY</td><td>br. white</td><td>stone grey</td></tr> <tr><td>844</td><td>STONE GREY</td><td>STONE GREY</td><td>stone grey</td><td>stone grey</td></tr> <tr><td>866</td><td>NOCE PAVIA</td><td>STONE GREY</td><td>pavia walnut</td><td>stone grey</td></tr> <tr><td>890</td><td>WENGE'</td><td>STONE GREY</td><td>wengè</td><td>stone grey</td></tr> </tbody> </table>								(*)	PIANO	STRUTTURA	top	structure	003	ROVERE	ARGENTO	oak	silver	004	ROVERE GREY	ARGENTO	grey oak	silver	040	BIANCO BR.	ARGENTO	br. white	silver	044	STONE GREY	ARGENTO	stone grey	silver	066	NOCE PAVIA	ARGENTO	pavia walnut	silver	090	WENGE'	ARGENTO	wengè	silver	400	BIANCO BR.	BIANCO	br. white	white	403	ROVERE	BIANCO	oak	white	404	ROVERE GREY	BIANCO	grey oak	white	444	STONE GREY	BIANCO	stone grey	white	466	NOCE PAVIA	BIANCO	pavia walnut	white	490	WENGE'	BIANCO	wengè	white	503	ROVERE	ANTRACITE	oak	anthracite	504	ROVERE GREY	ANTRACITE	grey oak	anthracite	541	BIANCO BR.	ANTRACITE	br. white	anthracite	544	STONE GREY	ANTRACITE	stone grey	anthracite	566	NOCE PAVIA	ANTRACITE	pavia walnut	anthracite	591	WENGE'	ANTRACITE	wengè	anthracite	803	ROVERE	STONE GREY	oak	stone grey	804	ROVERE GREY	STONE GREY	grey oak	stone grey	840	BIANCO BR.	STONE GREY	br. white	stone grey	844	STONE GREY	STONE GREY	stone grey	stone grey	866	NOCE PAVIA	STONE GREY	pavia walnut	stone grey	890	WENGE'	STONE GREY	wengè	stone grey
(*)	PIANO	STRUTTURA	top	structure																																																																																																																																
003	ROVERE	ARGENTO	oak	silver																																																																																																																																
004	ROVERE GREY	ARGENTO	grey oak	silver																																																																																																																																
040	BIANCO BR.	ARGENTO	br. white	silver																																																																																																																																
044	STONE GREY	ARGENTO	stone grey	silver																																																																																																																																
066	NOCE PAVIA	ARGENTO	pavia walnut	silver																																																																																																																																
090	WENGE'	ARGENTO	wengè	silver																																																																																																																																
400	BIANCO BR.	BIANCO	br. white	white																																																																																																																																
403	ROVERE	BIANCO	oak	white																																																																																																																																
404	ROVERE GREY	BIANCO	grey oak	white																																																																																																																																
444	STONE GREY	BIANCO	stone grey	white																																																																																																																																
466	NOCE PAVIA	BIANCO	pavia walnut	white																																																																																																																																
490	WENGE'	BIANCO	wengè	white																																																																																																																																
503	ROVERE	ANTRACITE	oak	anthracite																																																																																																																																
504	ROVERE GREY	ANTRACITE	grey oak	anthracite																																																																																																																																
541	BIANCO BR.	ANTRACITE	br. white	anthracite																																																																																																																																
544	STONE GREY	ANTRACITE	stone grey	anthracite																																																																																																																																
566	NOCE PAVIA	ANTRACITE	pavia walnut	anthracite																																																																																																																																
591	WENGE'	ANTRACITE	wengè	anthracite																																																																																																																																
803	ROVERE	STONE GREY	oak	stone grey																																																																																																																																
804	ROVERE GREY	STONE GREY	grey oak	stone grey																																																																																																																																
840	BIANCO BR.	STONE GREY	br. white	stone grey																																																																																																																																
844	STONE GREY	STONE GREY	stone grey	stone grey																																																																																																																																
866	NOCE PAVIA	STONE GREY	pavia walnut	stone grey																																																																																																																																
890	WENGE'	STONE GREY	wengè	stone grey																																																																																																																																
TAVOLO RIUNIONE L.160 x p.125,2 meeting table w 160 x d 125,2 cms    L.160 x p.125,2 x H.72,8	L.160	153 <b>194 (*)</b>	54	0,293	5	€ 550,00	€ 1.004,00	<input type="radio"/> <b>GAMBE CROMATE</b> ○ chromed legs																																																																																																																												
								<input checked="" type="radio"/> <b>GAMBE VERNICIATE</b> ★ painted legs																																																																																																																												
<input type="radio"/> <b>GAMBE CROMATE / chromed legs</b>																																																																																																																																				
<table border="1"> <thead> <tr> <th>(*)</th> <th>PIANO</th> <th>STRUTTURA</th> <th>top</th> <th>structure</th> </tr> </thead> <tbody> <tr><td>903</td><td>ROVERE</td><td>CROMATO</td><td>oak</td><td>chromed</td></tr> <tr><td>904</td><td>ROVERE GREY</td><td>CROMATO</td><td>grey oak</td><td>chromed</td></tr> <tr><td>940</td><td>BIANCO BR.</td><td>CROMATO</td><td>br. white</td><td>chromed</td></tr> <tr><td>944</td><td>STONE GREY</td><td>CROMATO</td><td>stone grey</td><td>chromed</td></tr> <tr><td>966</td><td>NOCE PAVIA</td><td>CROMATO</td><td>pavia walnut</td><td>chromed</td></tr> <tr><td>990</td><td>WENGE'</td><td>CROMATO</td><td>wengè</td><td>chromed</td></tr> </tbody> </table>								(*)	PIANO	STRUTTURA	top	structure	903	ROVERE	CROMATO	oak	chromed	904	ROVERE GREY	CROMATO	grey oak	chromed	940	BIANCO BR.	CROMATO	br. white	chromed	944	STONE GREY	CROMATO	stone grey	chromed	966	NOCE PAVIA	CROMATO	pavia walnut	chromed	990	WENGE'	CROMATO	wengè	chromed																																																																																										
(*)	PIANO	STRUTTURA	top	structure																																																																																																																																
903	ROVERE	CROMATO	oak	chromed																																																																																																																																
904	ROVERE GREY	CROMATO	grey oak	chromed																																																																																																																																
940	BIANCO BR.	CROMATO	br. white	chromed																																																																																																																																
944	STONE GREY	CROMATO	stone grey	chromed																																																																																																																																
966	NOCE PAVIA	CROMATO	pavia walnut	chromed																																																																																																																																
990	WENGE'	CROMATO	wengè	chromed																																																																																																																																

**TAVOLI RIUNIONE (PIANI SP. 18mm)***meeting tables (tops thick. 18mm)*




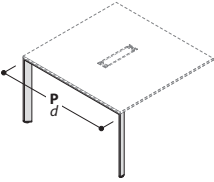
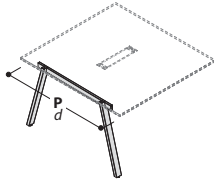
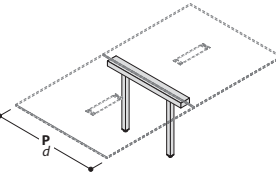
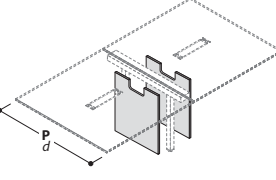
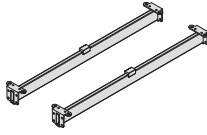
DESCRIZIONE <i>description</i>	L <i>w</i>	CODICE <i>code</i>	KG	M <sup>3</sup>	COLLI	PREZZO <i>price</i>	(*) CODICE FINITURA <i>(*) finish code</i>																																																																																																																													
TAVOLO RIUNIONE L.240 x p.125,2 <i>meeting table w 240 x d 125,2 cms</i>    L.240 x p.125,2 x H.72,8						<b>GAMBE VERNICIATE</b> ★ <i>painting legs</i>																																																																																																																														
	L.240	<b>153 136 (*)</b>	81	0,477	9	<b>€ 850,00</b>																																																																																																																														
	<b>PER KIT WIRE-MANAGER GAMBA CENTRALE, VEDI ART. 738 A PAG.88</b> <i>for wire-manager kit central leg, please see art.738 to page 88</i>																																																																																																																																			
TAVOLO RIUNIONE L.360 x p.125,2 <i>meeting table w 360 x d 125,2 cms</i>    L.360 x p.125,2 x H.72,8						<b>GAMBE VERNICIATE / painting legs</b>																																																																																																																														
	L.360	<b>153 137 (*)</b>	116	0,692	13	<b>€ 1.200,00</b>																																																																																																																														
	<b>PER KIT WIRE-MANAGER GAMBA CENTRALE, VEDI ART. 738 A PAG.88</b> <i>for wire-manager kit central leg, please see art.738 to page 88</i>																																																																																																																																			
TAVOLO RIUNIONE L.320 x p.125,2 <i>meeting table w 320 x d 125,2 cms</i>    L.320 x p.125,2 x H.72,8																																																																																																																																				
	L.320	<b>153 181 (*)</b>	97	0,540	9	<b>€ 950,00</b>																																																																																																																														
	<b>PER KIT WIRE-MANAGER GAMBA CENTRALE, VEDI ART. 738 A PAG.88</b> <i>for wire-manager kit central leg, please see art.738 to page 88</i>																																																																																																																																			
TAVOLO RIUNIONE L.480 x p.125,2 <i>meeting table w 480 x d 125,2 cms</i>    L.480 x p.125,2 x H.72,8																																																																																																																																				
	L.480	<b>153 182 (*)</b>	140	0,788	13	<b>€ 1.350,00</b>																																																																																																																														
	<b>PER KIT WIRE-MANAGER GAMBA CENTRALE, VEDI ART. 738 A PAG.88</b> <i>for wire-manager kit central leg, please see art.738 to page 88</i>																																																																																																																																			
							<table border="1"> <thead> <tr> <th>(*)</th> <th>PIANO</th> <th>STRUTTURA</th> <th>top</th> <th>structure</th> </tr> </thead> <tbody> <tr><td>003</td><td>ROVERE</td><td>ARGENTO</td><td>oak</td><td>silver</td></tr> <tr><td>004</td><td>ROVERE GREY</td><td>ARGENTO</td><td>grey oak</td><td>silver</td></tr> <tr><td>040</td><td>BIANCO BR.</td><td>ARGENTO</td><td>br. white</td><td>silver</td></tr> <tr><td>044</td><td>STONE GREY</td><td>ARGENTO</td><td>stone grey</td><td>silver</td></tr> <tr><td>066</td><td>NOCE PAVIA</td><td>ARGENTO</td><td>pavia walnut</td><td>silver</td></tr> <tr><td>090</td><td>WENGÈ'</td><td>ARGENTO</td><td>wengè</td><td>silver</td></tr> <tr><td>400</td><td>BIANCO BR.</td><td>BIANCO</td><td>br. white</td><td>white</td></tr> <tr><td>403</td><td>ROVERE</td><td>BIANCO</td><td>oak</td><td>white</td></tr> <tr><td>404</td><td>ROVERE GREY</td><td>BIANCO</td><td>grey oak</td><td>white</td></tr> <tr><td>444</td><td>STONE GREY</td><td>BIANCO</td><td>stone grey</td><td>white</td></tr> <tr><td>466</td><td>NOCE PAVIA</td><td>BIANCO</td><td>pavia walnut</td><td>white</td></tr> <tr><td>490</td><td>WENGÈ'</td><td>BIANCO</td><td>wengè</td><td>white</td></tr> <tr><td>503</td><td>ROVERE</td><td>ANTRACITE</td><td>oak</td><td>anthracite</td></tr> <tr><td>504</td><td>ROVERE GREY</td><td>ANTRACITE</td><td>grey oak</td><td>anthracite</td></tr> <tr><td>541</td><td>BIANCO BR.</td><td>ANTRACITE</td><td>br. white</td><td>anthracite</td></tr> <tr><td>544</td><td>STONE GREY</td><td>ANTRACITE</td><td>stone grey</td><td>anthracite</td></tr> <tr><td>566</td><td>NOCE PAVIA</td><td>ANTRACITE</td><td>pavia walnut</td><td>anthracite</td></tr> <tr><td>591</td><td>WENGÈ'</td><td>ANTRACITE</td><td>wengè</td><td>anthracite</td></tr> <tr><td>803</td><td>ROVERE</td><td>STONE GREY</td><td>oak</td><td>stone grey</td></tr> <tr><td>804</td><td>ROVERE GREY</td><td>STONE GREY</td><td>grey oak</td><td>stone grey</td></tr> <tr><td>840</td><td>BIANCO BR.</td><td>STONE GREY</td><td>br. white</td><td>stone grey</td></tr> <tr><td>844</td><td>STONE GREY</td><td>STONE GREY</td><td>stone grey</td><td>stone grey</td></tr> <tr><td>866</td><td>NOCE PAVIA</td><td>STONE GREY</td><td>pavia walnut</td><td>stone grey</td></tr> <tr><td>890</td><td>WENGÈ'</td><td>STONE GREY</td><td>wengè</td><td>stone grey</td></tr> </tbody> </table>	(*)	PIANO	STRUTTURA	top	structure	003	ROVERE	ARGENTO	oak	silver	004	ROVERE GREY	ARGENTO	grey oak	silver	040	BIANCO BR.	ARGENTO	br. white	silver	044	STONE GREY	ARGENTO	stone grey	silver	066	NOCE PAVIA	ARGENTO	pavia walnut	silver	090	WENGÈ'	ARGENTO	wengè	silver	400	BIANCO BR.	BIANCO	br. white	white	403	ROVERE	BIANCO	oak	white	404	ROVERE GREY	BIANCO	grey oak	white	444	STONE GREY	BIANCO	stone grey	white	466	NOCE PAVIA	BIANCO	pavia walnut	white	490	WENGÈ'	BIANCO	wengè	white	503	ROVERE	ANTRACITE	oak	anthracite	504	ROVERE GREY	ANTRACITE	grey oak	anthracite	541	BIANCO BR.	ANTRACITE	br. white	anthracite	544	STONE GREY	ANTRACITE	stone grey	anthracite	566	NOCE PAVIA	ANTRACITE	pavia walnut	anthracite	591	WENGÈ'	ANTRACITE	wengè	anthracite	803	ROVERE	STONE GREY	oak	stone grey	804	ROVERE GREY	STONE GREY	grey oak	stone grey	840	BIANCO BR.	STONE GREY	br. white	stone grey	844	STONE GREY	STONE GREY	stone grey	stone grey	866	NOCE PAVIA	STONE GREY	pavia walnut	stone grey	890	WENGÈ'	STONE GREY	wengè	stone grey
(*)	PIANO	STRUTTURA	top	structure																																																																																																																																
003	ROVERE	ARGENTO	oak	silver																																																																																																																																
004	ROVERE GREY	ARGENTO	grey oak	silver																																																																																																																																
040	BIANCO BR.	ARGENTO	br. white	silver																																																																																																																																
044	STONE GREY	ARGENTO	stone grey	silver																																																																																																																																
066	NOCE PAVIA	ARGENTO	pavia walnut	silver																																																																																																																																
090	WENGÈ'	ARGENTO	wengè	silver																																																																																																																																
400	BIANCO BR.	BIANCO	br. white	white																																																																																																																																
403	ROVERE	BIANCO	oak	white																																																																																																																																
404	ROVERE GREY	BIANCO	grey oak	white																																																																																																																																
444	STONE GREY	BIANCO	stone grey	white																																																																																																																																
466	NOCE PAVIA	BIANCO	pavia walnut	white																																																																																																																																
490	WENGÈ'	BIANCO	wengè	white																																																																																																																																
503	ROVERE	ANTRACITE	oak	anthracite																																																																																																																																
504	ROVERE GREY	ANTRACITE	grey oak	anthracite																																																																																																																																
541	BIANCO BR.	ANTRACITE	br. white	anthracite																																																																																																																																
544	STONE GREY	ANTRACITE	stone grey	anthracite																																																																																																																																
566	NOCE PAVIA	ANTRACITE	pavia walnut	anthracite																																																																																																																																
591	WENGÈ'	ANTRACITE	wengè	anthracite																																																																																																																																
803	ROVERE	STONE GREY	oak	stone grey																																																																																																																																
804	ROVERE GREY	STONE GREY	grey oak	stone grey																																																																																																																																
840	BIANCO BR.	STONE GREY	br. white	stone grey																																																																																																																																
844	STONE GREY	STONE GREY	stone grey	stone grey																																																																																																																																
866	NOCE PAVIA	STONE GREY	pavia walnut	stone grey																																																																																																																																
890	WENGÈ'	STONE GREY	wengè	stone grey																																																																																																																																



TAVOLI RIUNIONE (PIANI SP. 18mm) meeting tables (tops thick. 18mm)																																																																																																																																			
DESCRIZIONE description	L w	CODICE code	KG	M <sup>3</sup>	COLLI	PREZZO price	(*) CODICE FINITURA (* finish code)																																																																																																																												
TAVOLO RIUNIONE L.160 x p.165,2 meeting table w 160 x d 165,2 cms    L.160 x p.165,2 x H.72,8	<b>GAMBE VERNICIATE</b> ★ painted legs																																																																																																																																		
	L.160	153 185 (*)	58	0,361	5	€ 625,00																																																																																																																													
TAVOLO RIUNIONE L.320 x p.165,2 meeting table w 320 x d 165,2 cms    L.320 x p.165,2 x H.72,8	<b>GAMBE VERNICIATE / painted legs</b>																																																																																																																																		
	L.320	153 186 (*)	105	0,676	9	€ 1.066,00																																																																																																																													
TAVOLO RIUNIONE L.480 x p.165,2 meeting table w 480 x d 165,2 cms    L.480 x p.165,2 x H.72,8	<b>PER KIT WIRE-MANAGER GAMBA CENTRALE, VEDI ART. 739 A PAG.88</b> for wire-manager kit central leg, please see art.739 to page 88																																																																																																																																		
	L.480	153 187 (*)	152	0,991	13	€ 1.507,00																																																																																																																													
<table border="1"> <thead> <tr> <th>(*)</th> <th>PIANO</th> <th>STRUTTURA</th> <th>top</th> <th>structure</th> </tr> </thead> <tbody> <tr><td>003</td><td>ROVERE</td><td>ARGENTO</td><td>oak</td><td>silver</td></tr> <tr><td>004</td><td>ROVERE GREY</td><td>ARGENTO</td><td>grey oak</td><td>silver</td></tr> <tr><td>040</td><td>BIANCO BR.</td><td>ARGENTO</td><td>br. white</td><td>silver</td></tr> <tr><td>044</td><td>STONE GREY</td><td>ARGENTO</td><td>stone grey</td><td>silver</td></tr> <tr><td>066</td><td>NOCE PAVIA</td><td>ARGENTO</td><td>pavia walnut</td><td>silver</td></tr> <tr><td>090</td><td>WENGÈ</td><td>ARGENTO</td><td>wengè</td><td>silver</td></tr> <tr><td>400</td><td>BIANCO BR.</td><td>BIANCO</td><td>br. white</td><td>white</td></tr> <tr><td>403</td><td>ROVERE</td><td>BIANCO</td><td>oak</td><td>white</td></tr> <tr><td>404</td><td>ROVERE GREY</td><td>BIANCO</td><td>grey oak</td><td>white</td></tr> <tr><td>444</td><td>STONE GREY</td><td>BIANCO</td><td>stone grey</td><td>white</td></tr> <tr><td>466</td><td>NOCE PAVIA</td><td>BIANCO</td><td>pavia walnut</td><td>white</td></tr> <tr><td>490</td><td>WENGÈ</td><td>BIANCO</td><td>wengè</td><td>white</td></tr> <tr><td>503</td><td>ROVERE</td><td>ANTRACITE</td><td>oak</td><td>anthracite</td></tr> <tr><td>504</td><td>ROVERE GREY</td><td>ANTRACITE</td><td>grey oak</td><td>anthracite</td></tr> <tr><td>541</td><td>BIANCO BR.</td><td>ANTRACITE</td><td>br. white</td><td>anthracite</td></tr> <tr><td>544</td><td>STONE GREY</td><td>ANTRACITE</td><td>stone grey</td><td>anthracite</td></tr> <tr><td>566</td><td>NOCE PAVIA</td><td>ANTRACITE</td><td>pavia walnut</td><td>anthracite</td></tr> <tr><td>591</td><td>WENGÈ</td><td>ANTRACITE</td><td>wengè</td><td>anthracite</td></tr> <tr><td>803</td><td>ROVERE</td><td>STONE GREY</td><td>oak</td><td>stone grey</td></tr> <tr><td>804</td><td>ROVERE GREY</td><td>STONE GREY</td><td>grey oak</td><td>stone grey</td></tr> <tr><td>840</td><td>BIANCO BR.</td><td>STONE GREY</td><td>br. white</td><td>stone grey</td></tr> <tr><td>844</td><td>STONE GREY</td><td>STONE GREY</td><td>stone grey</td><td>stone grey</td></tr> <tr><td>866</td><td>NOCE PAVIA</td><td>STONE GREY</td><td>pavia walnut</td><td>stone grey</td></tr> <tr><td>890</td><td>WENGÈ</td><td>STONE GREY</td><td>wengè</td><td>stone grey</td></tr> </tbody> </table>							(*)	PIANO	STRUTTURA	top	structure	003	ROVERE	ARGENTO	oak	silver	004	ROVERE GREY	ARGENTO	grey oak	silver	040	BIANCO BR.	ARGENTO	br. white	silver	044	STONE GREY	ARGENTO	stone grey	silver	066	NOCE PAVIA	ARGENTO	pavia walnut	silver	090	WENGÈ	ARGENTO	wengè	silver	400	BIANCO BR.	BIANCO	br. white	white	403	ROVERE	BIANCO	oak	white	404	ROVERE GREY	BIANCO	grey oak	white	444	STONE GREY	BIANCO	stone grey	white	466	NOCE PAVIA	BIANCO	pavia walnut	white	490	WENGÈ	BIANCO	wengè	white	503	ROVERE	ANTRACITE	oak	anthracite	504	ROVERE GREY	ANTRACITE	grey oak	anthracite	541	BIANCO BR.	ANTRACITE	br. white	anthracite	544	STONE GREY	ANTRACITE	stone grey	anthracite	566	NOCE PAVIA	ANTRACITE	pavia walnut	anthracite	591	WENGÈ	ANTRACITE	wengè	anthracite	803	ROVERE	STONE GREY	oak	stone grey	804	ROVERE GREY	STONE GREY	grey oak	stone grey	840	BIANCO BR.	STONE GREY	br. white	stone grey	844	STONE GREY	STONE GREY	stone grey	stone grey	866	NOCE PAVIA	STONE GREY	pavia walnut	stone grey	890	WENGÈ	STONE GREY	wengè	stone grey
(*)	PIANO	STRUTTURA	top	structure																																																																																																																															
003	ROVERE	ARGENTO	oak	silver																																																																																																																															
004	ROVERE GREY	ARGENTO	grey oak	silver																																																																																																																															
040	BIANCO BR.	ARGENTO	br. white	silver																																																																																																																															
044	STONE GREY	ARGENTO	stone grey	silver																																																																																																																															
066	NOCE PAVIA	ARGENTO	pavia walnut	silver																																																																																																																															
090	WENGÈ	ARGENTO	wengè	silver																																																																																																																															
400	BIANCO BR.	BIANCO	br. white	white																																																																																																																															
403	ROVERE	BIANCO	oak	white																																																																																																																															
404	ROVERE GREY	BIANCO	grey oak	white																																																																																																																															
444	STONE GREY	BIANCO	stone grey	white																																																																																																																															
466	NOCE PAVIA	BIANCO	pavia walnut	white																																																																																																																															
490	WENGÈ	BIANCO	wengè	white																																																																																																																															
503	ROVERE	ANTRACITE	oak	anthracite																																																																																																																															
504	ROVERE GREY	ANTRACITE	grey oak	anthracite																																																																																																																															
541	BIANCO BR.	ANTRACITE	br. white	anthracite																																																																																																																															
544	STONE GREY	ANTRACITE	stone grey	anthracite																																																																																																																															
566	NOCE PAVIA	ANTRACITE	pavia walnut	anthracite																																																																																																																															
591	WENGÈ	ANTRACITE	wengè	anthracite																																																																																																																															
803	ROVERE	STONE GREY	oak	stone grey																																																																																																																															
804	ROVERE GREY	STONE GREY	grey oak	stone grey																																																																																																																															
840	BIANCO BR.	STONE GREY	br. white	stone grey																																																																																																																															
844	STONE GREY	STONE GREY	stone grey	stone grey																																																																																																																															
866	NOCE PAVIA	STONE GREY	pavia walnut	stone grey																																																																																																																															
890	WENGÈ	STONE GREY	wengè	stone grey																																																																																																																															



**GAMBE METALLICHE A PONTE, CAVALLETTI E TRAVI DI SUPPORTO***bridge metal legs, gantries and support beams*

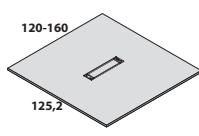
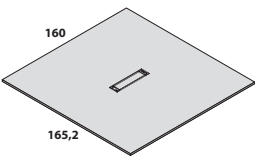
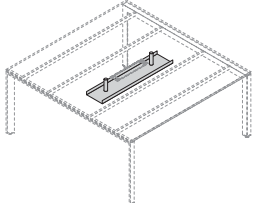
DESCRIZIONE <i>description</i>	L <i>w</i>	CODICE <i>code</i>	KG 	M <sup>3</sup> 	COLLI 	PREZZO <i>price</i>	(*) CODICE FINITURA <i>(*) finish code</i>															
GAMBE TERMINALI <i>terminal legs</i>    H.71	p.125	<b>153 702 (*)</b>	11	0,077	1	<b>€ 128,00</b>																
	p.165	<b>153 703 (*)</b>	13	0,098	1	<b>€ 152,00</b>																
CAVALLETTI TERMINALI <i>terminal gantries legs</i>    H.71	p.125	<b>173 051 (*)</b>	13	0,071	1	<b>€ 128,00</b>																
	p.165	<b>173 052 (*)</b>	18	0,094	1	<b>€ 155,00</b>																
GAMBE CENTRALI APERTE <i>open central legs</i>    H.71	p.125	<b>153 708 (*)</b>	11	0,108	1	<b>€ 106,00</b>																
	p.165	<b>153 709 (*)</b>	15	0,149	1	<b>€ 120,00</b>																
KIT WIRE-MANAGER PER GAMBA A PONTE CENTRALE <i>wire-manager kit for central bridge leg</i>    H.71	p.125	<b>153 738 (*)</b>	10	0,046	1	<b>€ 117,00</b>																
	p.165	<b>153 739 (*)</b>	12	0,068	1	<b>€ 119,00</b>																
COPPIA DI TRAVI PER GAMBE A PONTE O CAVALLETTI <i>set of 2 beams for bridge legs or gantries</i>    H.71	L.120	<b>153 721 (*)</b>	3	0,021	1	<b>€ 68,00</b>																
	L.160	<b>153 723 (*)</b>	5	0,027	1	<b>€ 81,00</b>																
							<table border="1"> <thead> <tr> <th>(*)</th> <th></th> <th></th> </tr> </thead> <tbody> <tr> <td>000</td> <td>ARGENTO</td> <td><i>silver</i></td> </tr> <tr> <td>400</td> <td>BIANCO</td> <td><i>white</i></td> </tr> <tr> <td>551</td> <td>ANTRACITE</td> <td><i>anthracite</i></td> </tr> <tr> <td>844</td> <td>STONE GREY</td> <td><i>stone grey</i></td> </tr> </tbody> </table>	(*)			000	ARGENTO	<i>silver</i>	400	BIANCO	<i>white</i>	551	ANTRACITE	<i>anthracite</i>	844	STONE GREY	<i>stone grey</i>
(*)																						
000	ARGENTO	<i>silver</i>																				
400	BIANCO	<i>white</i>																				
551	ANTRACITE	<i>anthracite</i>																				
844	STONE GREY	<i>stone grey</i>																				





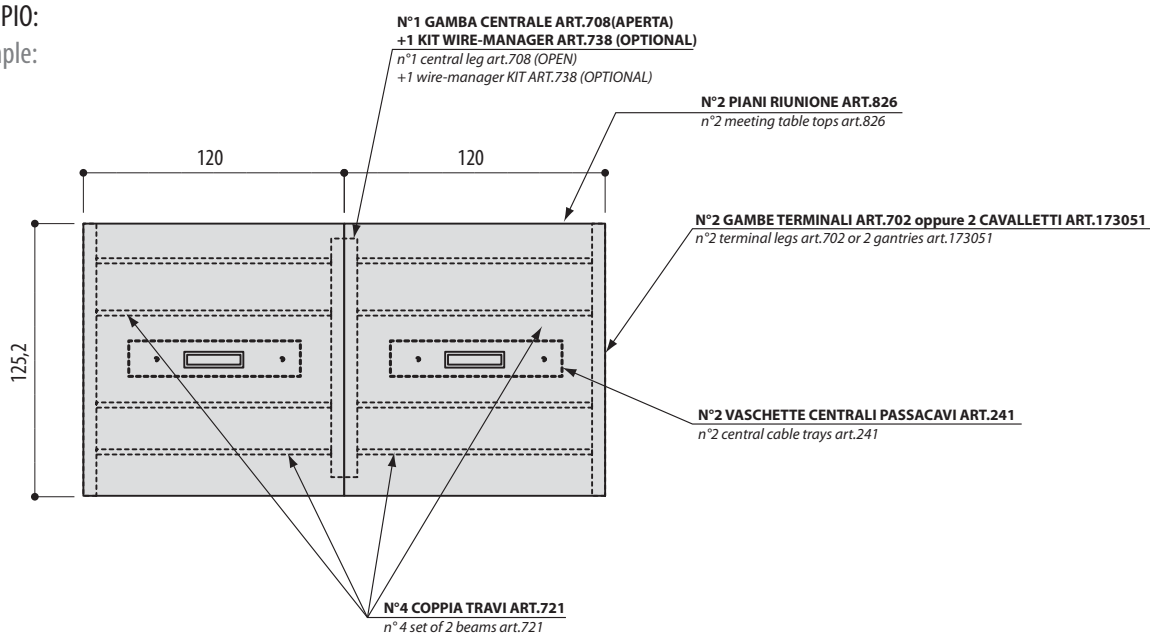
**PIANI TAVOLI RIUNIONE (PIANI SP. 18mm)**

meeting tables tops (tops thick. 18mm)

DESCRIZIONE description	L w	CODICE code	KG	M <sup>3</sup>	COLLI	PREZZO price	(*) CODICE FINITURA (* finish code)																					
PIANI TAVOLI RIUNIONE PROF. CM 125,2 meeting table tops depth 125,2 cms    L. x p.125,2 x H.1,8	<b>SENZA TOP ACCESS</b> without top access																											
	L.120	153 <b>536</b> (*)	18	0,064	1	€ 83,00																						
	L.160	153 <b>539</b> (*)	22	0,085	1	€ 107,00																						
	<b>CON TOP ACCESS</b> with top access																											
	L.120	153 <b>826</b> (*)	18	0,064	1	€ 108,00																						
	L.160	153 <b>825</b> (*)	22	0,085	1	€ 132,00																						
PIANO TAVOLO RIUNIONE PROF. CM 165,2 meeting table tops depth 165,2 cms    L. x p.165,2 x H.1,8	<b>SENZA TOP ACCESS</b> without top access																											
	L.160	153 <b>543</b> (*)	22	0,111	1	€ 137,00																						
	<b>CON TOP ACCESS</b> with top access																											
	L.160	153 <b>827</b> (*)	22	0,111	1	€ 159,00																						
	VASCHETTA CENTRALI PASSACAVI <b>PERTAVOLI RIUNIONE</b> central cable trays for meeting tables    L. x p.20 x H.10	L.90	153 <b>241</b> (*)	2	0,013	1	€ 54,00																					
		L.121	153 <b>243</b> (*)	3	0,023	1	€ 61,00																					
PROSPETTO INFORMATIVO fact-sheet <table border="1"> <thead> <tr> <th>VASCHETTA CENTRALE central cable tray</th> <th>UTILIZZABILE SU PIANI usable on the meeting table tops</th> </tr> </thead> <tbody> <tr> <td><b>ART.241</b></td> <td>L.120</td> </tr> <tr> <td><b>ART.243</b></td> <td>L.160</td> </tr> </tbody> </table>							VASCHETTA CENTRALE central cable tray	UTILIZZABILE SU PIANI usable on the meeting table tops	<b>ART.241</b>	L.120	<b>ART.243</b>	L.160																
VASCHETTA CENTRALE central cable tray	UTILIZZABILE SU PIANI usable on the meeting table tops																											
<b>ART.241</b>	L.120																											
<b>ART.243</b>	L.160																											
							<table border="1"> <thead> <tr> <th>(*)</th> <th>PIANO</th> <th>top</th> </tr> </thead> <tbody> <tr> <td>166</td> <td>NOCE PAVIA</td> <td>pavia walnut</td> </tr> <tr> <td>400</td> <td>BIANCO BR.</td> <td>br. white</td> </tr> <tr> <td>704</td> <td>ROVERE GREY</td> <td>grey oak</td> </tr> <tr> <td>733</td> <td>ROVERE</td> <td>oak</td> </tr> <tr> <td>844</td> <td>STONE GREY</td> <td>stone grey</td> </tr> <tr> <td>900</td> <td>WENGE'</td> <td>wenge</td> </tr> </tbody> </table>	(*)	PIANO	top	166	NOCE PAVIA	pavia walnut	400	BIANCO BR.	br. white	704	ROVERE GREY	grey oak	733	ROVERE	oak	844	STONE GREY	stone grey	900	WENGE'	wenge
(*)	PIANO	top																										
166	NOCE PAVIA	pavia walnut																										
400	BIANCO BR.	br. white																										
704	ROVERE GREY	grey oak																										
733	ROVERE	oak																										
844	STONE GREY	stone grey																										
900	WENGE'	wenge																										
							<table border="1"> <thead> <tr> <th>(*)</th> <th>PIANO</th> <th>top</th> </tr> </thead> <tbody> <tr> <td>000</td> <td>ARGENTO</td> <td>silver</td> </tr> <tr> <td>400</td> <td>BIANCO</td> <td>white</td> </tr> <tr> <td>551</td> <td>ANTRACITE</td> <td>anthracite</td> </tr> <tr> <td>844</td> <td>STONE GREY</td> <td>stone grey</td> </tr> </tbody> </table>	(*)	PIANO	top	000	ARGENTO	silver	400	BIANCO	white	551	ANTRACITE	anthracite	844	STONE GREY	stone grey						
(*)	PIANO	top																										
000	ARGENTO	silver																										
400	BIANCO	white																										
551	ANTRACITE	anthracite																										
844	STONE GREY	stone grey																										

**PER SOSTENERE I PIANI UTILIZZARE LA STRUTTURA METALLICA A PONTE O CAVALLETTI**  
 use the bridge metal structure or gantries to support the meeting table tops

ESEMPIO:  
example:



# 5<sup>TH</sup> ELEMENT

## DESCRIZIONE TECNICA

### SCRIVANIE DIREZIONALI CON GAMBE A PONTE O "LOOP e MOBILE-BASE (EXECUTIVE):

**Piani di lavoro** sono disponibili in 2 versioni: legno o vetro.

- Il piano in legno è realizzato con pannello di particelle di legno sp. mm 18 nobilitato in melaminico (Classe E1 basso contenuto di Formaldeide) e bordato perimetralmente in ABS mm 2 in tinta con la superficie e disponibili nei colori: ROVERE 03, ROVERE GREY 04, NOCE PAVIA 06, STONE GREY 44, WENG' 45, BIANCO BR. 69.

- Il piano vetro è del tipo float temperato sp. mm 10 retrolaccato, con bordi perimetrali lavorati a filo lucido, è utilizzabile solo in abbinamento alla struttura metallica ed ancorati alla stessa mediante supporti torniti in acciaio inox. Il piano in vetro è disponibile nei colori: NERO 10, TORTORA 72, ROSSO RUBINO 74, BIANCO 79.

**Le gambe a PONTE o "LOOP"** sono realizzate in tubolare di acciaio trafilato a sezione trapezoidale, sp. mm 2 CROMATE oppure verniciate a polveri epossidiche nei colori: ARGENTO, BIANCO, ANTRACITE, STONE GREY. Alla base sono situati piedini livellatori. Nella parte trasversale superiore sono predisposte per il fissaggio delle travi portanti.

**Le travi portanti** sono realizzate in tubolare di acciaio trafilato a sezione rettangolare 50 x 15 x sp 1,5 mm, verniciate a polveri epossidiche nei colori ARGENTO, BIANCO, ANTRACITE, STONE GREY. Alle estremità sono dotate di piastre in acciaio stampato per il collegamento al traverso superiore delle gambe e per il fissaggio dei piani di lavoro.

Sono fornite complete di carter in ABS stampato atti a mascherare le viti di accoppiamento gamba/trave.

**Mobile-base:** struttura realizzata con pannelli di particelle legno sp. mm 18 nobilitati in melaminico, (Classe E1 basso contenuto di Formaldeide) disponibile nei colori: ROVERE 03, ROVERE GREY 04, NOCE PAVIA 06, STONE GREY 44, WENG' 45, BIANCO BR. 69., rifinita perimetralmente con bordo melaminico mm 0,4.

Consente l'alloggiamento del PC-Tower e il cablaggio tramite le idonee aperture sulla base e sul cappello della struttura stessa. Il mobile-base è dotato di piedini livellatori.

### SCRIVANIE SINGOLE O CONDIVISE CON GAMBE A PONTE O CAVALLETTO (BENCH):

**Piani di lavoro** sono realizzati con pannelli di particelle di legno sp. mm 18 (è possibile usare anche piani sp. mm 25 forniti a parte) nobilitati in melaminico (Classe E1 basso contenuto di Formaldeide) e bordati perimetralmente in ABS mm 2 in tinta con la superficie e disponibili nei colori: ROVERE 03, ROVERE GREY 04, NOCE PAVIA 06, STONE GREY 44, WENG' 45, BIANCO BR. 69.

**Piani predisposti per top access soft closing:** sono realizzati con pannelli di particelle di legno sp. mm 18 (è possibile usare anche piani sp. mm 25 forniti a parte) nobilitati in melaminico (Classe E1 basso contenuto di Formaldeide) e bordati perimetralmente in ABS mm 2 in tinta con la superficie e disponibili nei colori: ROVERE 03, ROVERE GREY 04, NOCE PAVIA 06, STONE GREY 44, WENG' 45, BIANCO BR. 69. Disponibili con profondità mm 600 e mm 800.

È disponibile una versione di piani per postazioni bench sp mm 18, dotati di una barra centrale in alluminio estruso su cui sono incernierati comodi top access a ribalta, corredati di spazzolino passaggio cavi e calamita per il bloccaggio su pannelli fonoassorbenti frontali, permettono l'accessibilità alla sottostruttura in qualsiasi punto del piano. Sono utilizzabili sia con gambe a ponte che con gambe inclinate a cavalletto.

**Le gambe a ponte "TERMINALI"** sono realizzate in tubolare di acciaio trafilato a sezione trapezoidale, sp. mm 2 verniciate a polveri epossidiche nei colori: ARGENTO, BIANCO, ANTRACITE, STONE GREY. Sono dotate alle due estremità inferiori di puntali in Nylon stampato con alloggiato il piedino livellatore.

Nella parte trasversale superiore sono predisposte per il fissaggio delle travi portanti.

**Le gambe inclinate a cavalletto "TERMINALI"** sono realizzate in tubolare di acciaio trafilato a sezione rettangolare, sp. mm 1,5, e verniciate a polveri epossidiche nei colori: ARGENTO, BIANCO, ANTRACITE, STONE GREY. Sono dotate alle due estremità inferiori di piedino livellatore. La parte trasversale superiore è predisposta per il fissaggio delle travi portanti.

**Le gambe a ponte "CENTRALI"** sono realizzate in tubolare di acciaio trafilato a sezione quadrata 50 x50 x sp. 2 mm verniciate a polveri epossidiche nei colori: ARGENTO, BIANCO, ANTRACITE, STONE GREY. Sono dotate alle due estremità inferiori di puntali in Nylon stampato con alloggiato il piedino livellatore. Nella parte trasversale superiore di sezione rettangolare 100 x 50 x sp 2 mm sono predisposte per il fissaggio delle travi portanti. Sono disponibili in due tipologie: aperta o chiusa tramite pannellatura in lamiera di acciaio sp mm 1 con 1 lato fisso ed un lato ispezionabile uso "WIRE MANAGER" per il contenimento di cablaggi e relative apparecchiature ed eccedenze.

**Le travi portanti** sono realizzate in tubolare di acciaio trafilato a sezione rettangolare 50 x 15 x sp 1,5 mm, verniciate a polveri epossidiche nei colori ARGENTO, BIANCO, ANTRACITE, STONE GREY. Alle estremità sono dotate di piastre in acciaio stampato per il collegamento al traverso superiore delle gambe e per il fissaggio dei piani di lavoro.

Sono fornite complete di carter in ABS stampato atti a mascherare le viti di accoppiamento gamba/trave.

Alla struttura metallica intera assemblata possono essere agganciati accessori sospesi quali porta cpu e canaline portacavi in lamiera di acciaio presso piegata.

### PANNELLI FRONTALI PER BENCH:

Disponibili in 5 versioni:

1) - Pannelli di particelle di legno sp. mm 25 nobilitati in melaminico (Classe E1 basso contenuto di Formaldeide), spigoli superiori arrotondati, bordati perimetralmente in ABS mm 2 in tinta con la superficie e disponibili nei colori: ARGENTO GOLF 01, ROVERE 03, ROVERE GREY 04, NOCE PAVIA 06, STONE GREY 44, WENG' 45, ANTRACITE 55, BIANCO BR. 69. Su entrambe le facciate dei pannelli da 25 mm di spessore inserito orizzontalmente un binario di alluminio estruso idoneo per l'aggancio di accessori sospesi.

2) - Pannelli di particelle di legno sp. mm 25 (Classe E1 basso contenuto di Formaldeide), spigoli superiori arrotondati, rivestiti in tessuto: CREPE, STRETCH, MELANGE, TREVI, LANA, TAYLOR by Flukso, GO-CHECK by Gabriel, RUNNER by Gabriel. Su entrambe le facciate dei pannelli da 25 mm di spessore inserito orizzontalmente un binario di alluminio estruso idoneo per l'aggancio di accessori sospesi.

3) - Pannello in metacrilato BIANCO sp. mm 5.

4) - Pannelli di particelle di legno sp. mm 25 (Classe E1 basso contenuto di Formaldeide), rivestiti in tessuto: CREPE, STRETCH, MELANGE, TREVI, LANA, TAYLOR by Flukso, GO-CHECK by Gabriel, RUNNER by Gabriel, dotati di profilatura perimetrale in alluminio con cava porta-oggetti e barra inferiore attrezzabile in grado di sostenere mensole, lampade e bracci porta-monitor.

Tutti i suddetti pannelli frontali vengono ancorati nello spazio longitudinale posto al centro dei bench tramite appositi morsetti realizzati in zama presso-fusa, e sono forniti completi di profilo di copertura dello spazio stesso costruiti in plastica co-estrusa colore ARGENTO. Tale profilo, asportabile ed ispezionabile, assolve la funzione di top access integrato.

5) - Pannelli fono-assorbenti certificati sp. mm 38, rivestiti in tessuto, posizionati in appoggio a filo piano di lavoro su barra in estruso di alluminio tramite sostegni invisibili. Sono posizionabili anche come divisori su tavoli team. Disponibili con i seguenti tessuti: CREPE, STRETCH, MELANGE, TREVI, LANA, TAYLOR by Flukso, GO-CHECK by Gabriel, RUNNER by Gabriel.

### PANNELLI FRONTALI PER SCRIVANIE:

Disponibili in 2 versioni:

1) - Realizzati in pannelli di particelle di legno sp. mm 18 nobilitati in melaminico (Classe E1 basso contenuto di Formaldeide), spigoli superiori arrotondati, bordati perimetralmente in ABS mm 2 in tinta con la superficie e disponibili nei colori: ARGENTO GOLF 01, ROVERE 03, ROVERE GREY 04, NOCE PAVIA 06, STONE GREY 44, WENG' 45, ANTRACITE 55, BIANCO BR. 69.

2) - Pannelli di particelle di legno sp. mm 18 (Classe E1 basso contenuto di Formaldeide), spigoli superiori arrotondati, rivestiti in tessuto: CREPE, STRETCH, MELANGE, TREVI, LANA, TAYLOR by Flukso, GO-CHECK by Gabriel, RUNNER by Gabriel.

I pannelli vengono ancorati sul lato frontale dei piani di lavoro mediante staffe metalliche nei colori ARGENTO, BIANCO, ANTRACITE, STONE GREY.

Su entrambe le facciate dei pannelli sono inseriti, orizzontalmente, binari di alluminio estruso idonei all'aggancio di accessori sospesi.

### ACCESSORI:

Realizzati in metacrilato TRASPARENTE. Sono composti da PORTA-CARTA, PORTA-PENNE, PORTA-OGGETTI.

### SCHIENE PER SCRIVANIE:

Realizzate in pannelli di particelle di legno sp. mm 18 nobilitati in melaminico (Classe E1 basso contenuto di Formaldeide) e bordati perimetralmente in ABS mm 2 in tinta con la superficie e disponibili nei colori: ARGENTO GOLF 01, BIANCO BR. 69, ANTRACITE 55, STONE GREY 44.

Si fissano sulla parte inferiore del lato frontale dei piani di lavoro mediante staffe metalliche nei colori ARGENTO, BIANCO, ANTRACITE, STONE GREY.

### VASCHETTE PASSACAVI:

Realizzati in lamiera metallica sp. mm 1 verniciata a polveri epossidiche nei colori: ARGENTO, BIANCO, ANTRACITE, STONE GREY. Consente l'alloggiamento di kit elettrificazione e la raccolta di cavi in eccesso. Il montaggio avviene a sospensione sulle travi portanti delle scrivanie desking o con gamba a ponte; Oppure per sospensione integrati ai morsetti di sostegno dei pannelli frontali nelle scrivanie in configurazione Bench.

### MOBILI DI SERVIZIO E PORTA-CPU:

Struttura realizzata con pannello di particelle legno sp. mm 18 nobilitato in melaminico, (Classe E1 basso contenuto di Formaldeide) disponibile nei colori: ARGENTO GOLF 01, BIANCO BR. 69, ANTRACITE 55, STONE GREY 44, rifinita perimetralmente con bordo melaminico mm 0,4.

Consente l'alloggiamento del PC-Tower e il cablaggio tramite le idonee aperture sulla base della struttura stessa.

Il top è realizzato con pannello di particelle di legno sp. mm 18 nobilitato melaminico (Classe E1 basso contenuto di Formaldeide) e disponibile nei colori: ARGENTO GOLF 01, ROVERE 03, ROVERE GREY 04, NOCE PAVIA 06, STONE GREY 44, WENG' 45, ANTRACITE 55, BIANCO BR. 69. I bordi perimetrali sono in ABS mm 2 in tinta con la superficie.

I frontali e la schiena sono realizzati con pannello di particelle di legno sp. mm 18 nobilitato melaminico (Classe E1 basso contenuto di Formaldeide) e disponibili nei colori: ARGENTO GOLF 01, ROVERE 03, ROVERE GREY 04, NOCE PAVIA 06, STONE GREY 44, WENG' 45, ANTRACITE 55, BIANCO BR. 69, GIALLO FRESIA 11, AZZURRO SKY 32, AMARANTO 33, VERDE BOSCO 96. I bordi perimetrali sono in ABS mm 2 in tinta con la superficie. I cassetti in legno sono dotati di serratura centralizzata, le spondine sono in fibre legnose sp. mm 12 rivestite in PVC nero, il fondo è in fibra dello spessore di mm 3.

Le maniglie sono del tipo basculante nel colore in abbinamento ai frontali. Le guide scorrevoli sono del tipo in metallo con cuscinetti in nylon dotati di fine corsa in estrazione e self-closing in chiusura.

I mobili di servizio e porta-CPU sono dotati di piedini livellatori e possono essere utilizzati freestanding oppure integrati come sostegno portante dei piani di lavoro, tramite l'utilizzo delle apposite staffe fornite separatamente.

### CASSETTIERE BASI O LATERALI:

Struttura realizzata con pannello di particelle legno sp. mm 18 nobilitato in melaminico, (Classe E1 basso contenuto di Formaldeide) disponibile nei colori: ARGENTO GOLF 01, BIANCO BR. 69, ANTRACITE 55, STONE GREY 44 rifinita perimetralmente con bordo melaminico mm 0,4. I frontali e la schiena sono realizzati con pannello di particelle di legno sp. mm 18 nobilitato melaminico (Classe E1 basso contenuto di Formaldeide) e disponibili nei colori: ARGENTO GOLF 01, ROVERE 03, ROVERE GREY 04, NOCE PAVIA 06, STONE GREY 44, WENG' 45, ANTRACITE 55, BIANCO BR. 69.

, GIALLO FRESIA 11, AZZURRO SKY 32, AMARANTO 33, VERDE BOSCO 96. I bordi perimetrali sono in ABS mm 2 in tinta con la superficie. I cassetti in legno sono dotati di serratura centralizzata, le spondine sono in fibre legnose sp. mm 12 rivestite in PVC nero, il fondo è in fibra dello spessore di mm 3. Le guide scorrevoli sono del tipo in metallo con cuscinetti in nylon dotati di fine corsa in estrazione e self-closing in chiusura.

Le cassettiere BASI O LATERALI vanno completate con top di finitura per l'accostamento ai piani di lavoro oppure utilizzate sotto i piani di lavoro come struttura portante.

Le maniglie sono del tipo basculante nel colore in abbinamento ai frontali. Le cassettiere su ruote, sono montate su rotelle piroettanti in nylon grigio di cui le due anteriori dotate di freno di sicurezza.

#### CASSETTIERE SU RUOTE:

Struttura realizzata con pannello di particelle legno sp. mm 18 nobilitato in melaminico, (Classe E1 basso contenuto di Formaldeide) disponibile nei colori: ARGENTO GOLF 01, BIANCO BR. 69, ANTRACITE 55, STONE GREY 44, GIALLO FRESIA 11, AZZURRO SKY 32, AMARANTO 33, VERDE BOSCO 96, rifinita perimetralmente con bordo melaminico mm 0,4. I frontali sono realizzati con pannello di particelle di legno sp. mm 18 nobilitato melaminico (Classe E1 basso contenuto di Formaldeide) e disponibili nei colori: ARGENTO GOLF 01, ROVERE 03, ROVERE GREY 04, NOCE PAVIA 06, STONE GREY 44, WENG' 45, ANTRACITE 55, BIANCO BR. 69, GIALLO FRESIA 11, AZZURRO SKY 32, AMARANTO 33, VERDE BOSCO 96. I bordi perimetrali sono in ABS mm 2 in tinta con la superficie. I cassetti in legno sono dotati di serratura centralizzata, le spondine sono in fibre legnose sp. mm 12 rivestite in PVC nero, il fondo è in fibra dello spessore di mm 3. Le guide scorrevoli sono del tipo in metallo con cuscinetti in nylon dotati di fine corsa in estrazione e self-closing in chiusura. Le maniglie sono del tipo basculante nel colore in abbinamento ai frontali. Le cassettiere su ruote, sono montate su rotelle piroettanti in nylon grigio di cui le due anteriori dotate di freno di sicurezza.

#### STORAGE PROF. CM 80

Utilizzabili come sostegno per i piani di lavoro (con staffe da ordinare a parte) oppure come freestanding.

Sono disponibili in due tipologie:

- con cassetto estraibile standard (con serratura)
- con anta (con serratura)

Struttura realizzata con pannelli di particelle legno sp. mm 18 (per la base sp. mm 25) nobilitati in melaminico, (Classe E1 basso contenuto di Formaldeide) disponibili nei colori: ARGENTO GOLF 01, BIANCO BR. 69, ANTRACITE 55, STONE GREY 44 rifiniti perimetralmente con bordo melaminico mm 0,4. La base poggia su piedini livellatori realizzati in nylon neri.

Il frontale è realizzato con pannello di particelle di legno sp. mm 18 nobilitato melaminico (Classe E1 basso contenuto di Formaldeide) disponibile nei colori: ARGENTO GOLF 01, ROVERE 03, ROVERE GREY 04, NOCE PAVIA 06, STONE GREY 44, WENG' 45, ANTRACITE 55, BIANCO BR. 69, GIALLO FRESIA 11, AZZURRO SKY 32, AMARANTO 33, VERDE BOSCO 96. I bordi perimetrali sono in ABS mm 2 in tinta con la superficie. La maniglia verticale è realizzata in polipropilene, fornita in tinta unita in abbinamento al colore dell'anta e frontale. Il cassetto estraibile standard è costituito da ripiani realizzati con pannelli di particelle legno sp. mm 18, per la schiena sp. mm 12, nobilitati in melaminico, (Classe E1 basso contenuto di Formaldeide) disponibili nei colori ARGENTO GOLF 01, BIANCO BR. 69, ANTRACITE 55, STONE GREY 44 rifiniti perimetralmente con bordo melaminico mm 0,4.

I ripiani sono rivestiti con lamiera metallica sp. mm 1 verniciata colore argento. Sul ripiano superiore è inserita una vaschetta porta-cancelleria realizzata in materiale plastico colore argento.

Gli storage sono da completare sempre con top di finitura!

#### TOPS DI FINITURA PER STORAGE e CASSETTIERE LATERALI

Sono disponibili in due tipologie:

- A) --Singolo : per accostamento a piani profondità cm 60-80
- B) --Doppio: per accostamento a bench profondità cm 165,2

Realizzati con pannelli di particelle di legno sp. mm 18 oppure sp. mm 25 nobilitati melaminico (Classe E1 basso contenuto di Formaldeide) disponibili nei colori: ARGENTO GOLF 01, ROVERE 03, ROVERE GREY 04, NOCE PAVIA 06, STONE GREY 44, WENG' 45, ANTRACITE 55, BIANCO BR. 69. I bordi perimetrali sono in ABS mm 2 in tinta con la superficie.

#### TAVOLI RIUNIONE CON GAMBE A PONTE:

I piani di lavoro sono realizzati con pannelli di particelle di legno sp. mm 18 nobilitati in melaminico (Classe E1 basso contenuto di Formaldeide) e bordati perimetralmente in ABS mm 2 in tinta con la superficie e disponibili nei colori: ROVERE 03, ROVERE GREY 04, NOCE PAVIA 06, STONE GREY 44, WENG' 45, BIANCO BR. 69. I piani sono dotati di Top Access integrato, con cornice in plastica stampata colore argento e coperchio realizzato con pannello di particelle di legno sp. mm 8 dello stesso colore dei piani.

Le gambe a ponte "TERMINALI" sono realizzate in tubolare di acciaio trafilato a sezione trapezoidale, sp. mm 2 verniciate a polveri epossidiche nei colori: ARGENTO, BIANCO, ANTRACITE, STONE GREY. Sono dotate alle due estremità inferiori di puntali in Nylon stampato con alloggiato il piedino livellatore.

Nella parte trasversale superiore sono predisposte per il fissaggio delle travi portanti.

Le gambe a ponte "CENTRALI" sono realizzate in tubolare di acciaio trafilato a sezione quadrata 50 x 50 x sp. 2 mm verniciate a polveri epossidiche nei colori: ARGENTO, BIANCO, ANTRACITE, STONE GREY. Sono dotate alle due estremità inferiori di puntali in Nylon stampato con alloggiato il piedino livellatore.

Nella parte trasversale superiore di sezione rettangolare 100 x 50 x sp 2 mm sono predisposte per il fissaggio delle travi portanti.

Sono disponibili in due tipologie: aperta o chiusa tramite pannellatura in lamiera di acciaio sp mm 1 con 1 lato fisso ed un lato ispezionabile uso " WIRE MANAGER " per il contenimento di cablaggi e relative apparecchiature ed eccedenze.

Le travi portanti sono realizzate in tubolare di acciaio trafilato a sezione rettangolare 50 x 15 x sp 1,5 mm, verniciate a polveri epossidiche nei colori ARGENTO, BIANCO, ANTRACITE, STONE GREY. Alle estremità sono dotate di piastre in acciaio stampato per il collegamento al traverso superiore delle gambe e per il fissaggio dei piani di lavoro.

Sono fornite complete di carter in ABS stampato atti a mascherare le viti di accoppiamento gamba/trave.

**TAVOLI TEAM CON GAMBE A CAVALLETTO:** dotati di piano sp mm 18 contenente 2 top access ammortizzati in alluminio verniciato in tinta con le gambe sottostanti e di vaschetta raccogli cavo. Il piano è predisposto per il fissaggio di un pannello frontale fonoassorbente senza l'uso della barra di alluminio estruso.

#### SYSTEM

##### MODULI PARETINE

Costituiti da un Telaio perimetrale in alluminio anodizzato estruso legato e reso strutturale tramite elementi trasversali di tamponamento costruiti in pannelli di particelle di legno sp. 25mm (Classe E1 basso contenuto di Formaldeide).

La configurazione dei tamponamenti per la parte al di sopra del livello del piano di lavoro (da quota 74 cm in su) prevista in 3 tipologie:

- 1) Nobilitato in melaminico sp. mm 25 disponibile nei colori: ROVERE 03, ROVERE GREY 04, NOCE PAVIA 06, STONE GREY 44, WENG' 45, BIANCO BR. 69.
- 2) Rivestito in tessuto STRETCH in 14 colori.
- 3) Metacrilato: nel colore BIANCO SATINATO sp. mm 5.

Il tamponamento della parte al di sotto del livello del piano di lavoro (da quota 20 a quota 74 cm) è sempre costruita in pannelli di particelle di legno sp. 25mm nobilitato melaminico nel colore: ARGENTO GOLF 01.

I moduli paretine possono essere utilizzati come sostegno strutturale per i piani di lavoro, e sono dotati di piedini livellatori. Trasversalmente, sono dotati di profili in plastica estrusa attrezzabili tramite sospensione di accessori nella apposita cava.

Sul traverso superiore in alluminio dei moduli stessi presente una ulteriore cava orizzontale attrezzabile (nei pannelli h cm 150 tale cava si può utilizzare per l'aggancio di pensili porta - dox.)

##### PIANI DI LAVORO

Realizzati con pannelli di particelle di legno sp. mm 25 nobilitati in melaminico, (Classe E1 basso contenuto di Formaldeide)

disponibili nei colori: ROVERE 03, ROVERE GREY 04, NOCE PAVIA 06, STONE GREY 44, WENG' 45, BIANCO BR. 69, rifiniti perimetralmente con bordo in ABS mm2 in tinta con la superficie.

I piani sono dotati di Top Access integrato, con cornice in plastica stampata colore argento e coperchio realizzato con pannello di particelle di legno sp. mm8 dello stesso colore dei piani.

##### GAMBE METALLICHE A CORNICE

Realizzate con tubolare metallico a sezione mista rettangolare/quadrata mm 50 x 20 e mm 20 x 20 x spess. mm 2, verniciate a polveri epossidiche nel colore ARGENTO.

Predisposte per il fissaggio di travi portanti e dei piani. Le gambe sono collegabili alla paretina tramite un sistema di aggancio inserito nella cava del profilo perimetrale della stessa in modo da realizzare un sistema solidale strutturato. Sono inoltre dotate di piedini livellatori in nylon.

##### TRAVI PER GAMBE A CORNICE

Realizzate con tubolare metallico a sezione rettangolare 30 x 20 x spess. mm 2, verniciate a polveri epossidiche nel colore ARGENTO. Predisposte per il fissaggio sulle gambe a cornice tramite angolari in Nylon stampato.

##### MENSOLE PER PARETINE

Sono realizzate con pannelli di particelle di legno sp. mm 12 nobilitati in melaminico (Classe E1 basso contenuto di Formaldeide) e bordati perimetralmente in ABS mm 2 in tinta con la superficie, disponibili nel colore ARGENTO GOLF 01. Sono dotate di barra di supporto in alluminio estruso per ancoraggio a modulo paretina.

La barra di supporto disponibile anche con lampada a Led integrata, caratteristiche da 25W a 50W variabili a seconda della lunghezza scelta (da cm 60-80-100)

##### PENSILI PORTA-DOX PER PARETINE

Disponibili a giorno o con anta basculante.

Struttura realizzata con pannello di particelle legno sp. mm 18 nobilitato in melaminico, (Classe E1 basso contenuto di Formaldeide) disponibile nel colore ARGENTO GOLF 01, rifinita perimetralmente con bordo melaminico mm 0,4.

L'anta, viene costruita con pannello di particelle di legno sp. mm 18 nobilitato melaminico e disponibili nei colori: ROVERE 03, ROVERE GREY 04, NOCE PAVIA 06, STONE GREY 44, WENG' 45, BIANCO BR. 69. I bordi perimetrali sono in ABS mm 2 in tinta con la superficie. L'anta, del tipo ad apertura basculante con angolazione maggiore di 100°, completa di serratura.

Il pensile viene fissato alla cava della paretina tramite staffe metalliche sagomate.

##### IMBALLO

Tutti i componenti sono forniti smontati ed imballati con involucro pieghevole in cartone triplo, listelli di protezione perimetrale e per i riempimenti ove occorre. Gli angoli sono protetti, ove occorre, con parasigoli anti-urto. La chiusura dell'imballo avviene mediante nastro adesivo e reggetta in nylon termosaldato.

Le cassettiere sono fornite montate, protette sui lati con angolari in polistirolo ed imballate con foglia di polietilene termoretraibile.

## TECHNICAL DESCRIPTION

# 5<sup>TH</sup> ELEMENT

### EXECUTIVE DESKS WITH BRIDGE LEGS OR "LOOP and BASE-CABINET:

**The worktop** are available 2 versions: wood or glass.

The wooden surface is made with 18mm-thick melamine faced particleboard panel, (it also possible to use 25mm-thick tops supplied separately), (Class E1 low formaldehyde content) and perimetrically edged with 2mm ABS that matches the surface top; available in the following colours: OAK 03, GREY OAK 04, PAVIA WALNUT 06, STONE GREY 44, WENGE' 45, BR. WHITE 69.

The glass surface is rear-lacquered float tempered of 10mm thick with a shiny rimmed perimeter edge, which can only be used if matched to the metal structure and anchored to the same through supports cast in inox steel. The glass surface is available in colours: BLACK 10, GREY BEIGE 72, RUBY RED 74, WHITE 79.

**The BRIDGE or "LOOP" legs** are made of 2mm trapezoidal-sectioned drawn tubular steel, CHROMED or PAINTED with epoxy powders in the following colours: SILVER, WHITE, ANTHRACITE, STONE GREY. At the base they are equipped with the levelling feet. They are pre-fitted on the upper transversal part for the attachment of the supporting beams.

**The supporting beams** are made of rectangular-sectioned drawn tubular steel 50 x 15 x 1,5 mm thick, painted with epoxy powders in colours: SILVER, WHITE, ANTHRACITE, STONE GREY.

At the ends, they are equipped with printed steel plates for the connection to the upper transversal rod of the legs and for mounting the workstation tops.

They are supplied complete with ABS carters that serve to conceal the leg/beam coupling screws.

**Base-cabinet:** Structure made of 18 mm-thick melamine faced particleboard panels (Class E1 low formaldehyde content); available in the following colours: OAK 03, GREY OAK 04, PAVIA WALNUT 06, STONE GREY 44, WENGE' 45, BR. WHITE 69., perimetrically finished with a 0.4 mm melamine border. Used for housing PC Towers and related wiring via the opening at the base and top of the structure itself. The base-cabinet is equipped with levelling feet.

### SINGLE OR SHARED DESKS WITH BRIDGE LEGS OR GANTRIES (BENCHES):

**The workstation tops** are made with 18mm-thick melamine faced particleboard panel, (it also possible to use 25mm-thick tops supplied separately), (Class E1 low formaldehyde content) and perimetrically edged with 2mm ABS that matches the surface top; available in the following colours: OAK 03, GREY OAK 04, PAVIA WALNUT 06, STONE GREY 44, WENGE' 45, BR. WHITE 69.

**The worktops with hole for top access soft closing:** are made with 18mm-thick melamine faced particleboard panel, (it also possible to use 25mm-thick tops supplied separately), (Class E1 low formaldehyde content) and perimetrically edged with 2mm ABS that matches the surface top; available in the following colours: OAK 03, GREY OAK 04, PAVIA WALNUT 06, STONE GREY 44, WENGE' 45, BR. WHITE 69. They are available with depth 600 and 800 millimeters.

A version of desk tops 18 mm thick is available, equipped with a central extruded aluminum bar, on which comfortable hinged top access with tip-up door with a wire passage brush and magnet for locking on frontal sound-proofing panels. The top access allows accessibility to the substructure at any point in the desk tops. They can be used both with bridge legs and with inclined gentries legs.

**The TERMINAL bridge legs** are made of 2mm trapezoidal-sectioned drawn tubular steel, painted with epoxy powders in the following colours: SILVER, WHITE, ANTHRACITE, STONE GREY. At the two lower ends they are equipped with printed Nylon feet that house the levelling feet.

They are pre-fitted on the upper transversal part for the attachment of the supporting beams.

**The TERMINAL inclined gentries legs** are made of rectangular extruded tubular steel, th. mm 1.5, and painted with epoxy powders in the colors: SILVER, WHITE, ANTHRACITE, STONE GREY. They are equipped at the two lower ends of the leveling feet. The upper crossbar is designed for fixing the supporting beams.

**The "CENTRAL or SHARED" bridge legs** are made of square-sectioned drawn tubular steel, 50 x50 x 2 mm-thick, painted with epoxy powders in the following colours: SILVER, WHITE, ANTHRACITE, STONE GREY. At the two lower ends they are equipped with printed Nylon feet that house a levelling foot.

At the rectangular sectioned upper transversal part, 100 x 50 x 2 mm thick, they are pre-fitted for the attachment of the supporting beams.

Two types are available: open or closed via a 1 mm-thick sheet steel panelling with 1 fixed side and one inspectionable "WIRE MANAGER" side used to house wiring, related equipment and surplus materials.

**The supporting beams** are made of rectangular-sectioned drawn tubular steel 50 x 15 x 1,5 mm thick, painted with epoxy powders in colours: SILVER, WHITE, ANTHRACITE, STONE GREY.

At the ends, they are equipped with printed steel plates for the connection to the upper transversal rod of the legs and for mounting the workstation tops.

They are supplied complete with ABS carters that serve to conceal the leg/beam coupling screws.

Hanging accessories, including PC tower stands and wire conduits made of press-folded sheet steel can be fastened to the complete metal structure.

### FRONT PANELS FOR BENCHES:

Available in five versions:

1) - 25mm-thick melamine faced particleboard panel (Class E1 low formaldehyde content) with rounded upper edges. They are perimetrically bordered with 2mm-thick ABS that matches the top surface; available in the following colours: GOLF SILVER 01, OAK 03, GREY OAK 04, PAVIA WALNUT 06, STONE GREY 44, WENGE' 45, ANTHRACITE 55, BR. WHITE 69. On both sides of the 25mm-thick panels there is an extruded aluminum track, suitable for hanging accessories.

2) - 25mm-thick wood-particle panel (Class E1 low formaldehyde content) with rounded upper edges. They are covered in fabrics: CREPE, STRETCH, MELANGE, TREVI, LANA, TAYLOR by Flukso, GO-CHECK by Gabriel, RUNNER by Gabriel. On both sides of the 25mm-thick panels there is an extruded aluminum track, suitable for hanging accessories.

3) - 5mm-thick WHITE methacrylate panel.

4) - 25mm-thick wood-particle panel (Class E1 low formaldehyde content) that are covered in fabrics: CREPE, STRETCH, MELANGE, TREVI, LANA, TAYLOR by Flukso, GO-CHECK by Gabriel, RUNNER by Gabriel. They are equipped with aluminum frame and lower bar for the support of shelves, lamps and monitor-holder arms.

All the aforementioned front panels are anchored in the longitudinal space located at the centre of the benches using of special compression-molded zinc alloy clamps, and they are supplied complete with a covering profile for the space and made of SILVER co-extruded plastic. This removable and inspectionable profile performs the integrated top access function.

5) - 38mm -thick sound-proofing panel covered with fabric. Can be used on extruded aluminum bars and as dividing panel for team table. Available with the following fabrics: CREPE, STRETCH, MELANGE, TREVI, LANA, TAYLOR by Flukso, GO-CHECK by Gabriel, RUNNER by Gabriel.

### FRONT PANELS FOR DESKS:

Available in two versions:

1) - Made of 18mm-thick melamine faced particleboard panels (Class E1 low formaldehyde content) with rounded upper edges. They are perimetrically edged with 2mm ABS that matches the top surface; available in the following colours: GOLF SILVER 01, OAK 03, GREY OAK 04, PAVIA WALNUT 06, STONE GREY 44, WENGE' 45, ANTHRACITE 55, BR. WHITE 69.

2) - Made of 18mm-thick melamine faced particleboard panels (Class E1 low formaldehyde content) with rounded upper edges. They are covered in fabrics: CREPE, STRETCH, MELANGE, TREVI, LANA, TAYLOR by Flukso, GO-CHECK by Gabriel, RUNNER by Gabriel.

The panels are anchored on the front of the worktops using metal brackets in colours: SILVER, WHITE, ANTHRACITE, STONE GREY.

On both sides of the panels there is a horizontal extruded aluminium track, suitable for attaching hanging accessories.

### ACCESSORIES:

Made of TRANSPARENT methacrylate. They are composed of a PAPER TRAY, PEN-HOLDER, COURTESY TRAY.

### BACK PANELS FOR DESKS AND WORKSTATION:

Made of 18mm-thick melamine faced particleboard panels (Class E1 low formaldehyde content) and perimetrically edged in 2mm ABS that matches the top surface; available in colours: GOLF SILVER 01, BR. WHITE 69, ANTHRACITE 55, STONE GREY 44.

They are secured to the lower part of the front side of the work tops using SILVER-coloured metal brackets.

### CABLE-TRAYS:

Made of 1mm-thick sheet metal, painted in colours: SILVER, WHITE, ANTHRACITE, STONE GREY with epoxy powders; used for housing electrification kits and excess cables.

They are hung on the supporting beams of desking desks or those with bridge legs; or hung, attached to the support clamps of the front panels of the Bench configuration desks.

### SERVICE UNITS AND CPU-HOLDER

Structure made of 18 mm-thick melamine faced particleboard panels (Class E1 low formaldehyde content); available in GOLF SILVER 01, BR. WHITE 69, ANTHRACITE 55, STONE GREY 44.

, perimetrically finished with a 0.4 mm melamine border. Used for housing PC Towers and related wiring via the opening at the base of the structure itself.

The top is made of 18mm-thick melamine faced particleboard panels (Class E1 low formaldehyde content) and is available in the following colours: GOLF SILVER 01, OAK 03, GREY OAK 04, PAVIA WALNUT 06, STONE GREY 44, WENGE' 45, ANTHRACITE 55, BR. WHITE 69. The perimetric borders are made of 2mm-thick ABS that is the same colour as the top surface.

The front and the back are made of 18mm-thick melamine faced particleboard panels (Class E1 low formaldehyde content) and are available in the following colours: GOLF SILVER 01, OAK 03, GREY OAK 04, PAVIA WALNUT 06, STONE GREY 44, WENGE' 45, ANTHRACITE 55, BR. WHITE 69, FREESIA YELLOW 11, SKY BLUE 32, AMARANTH 33, WOOD GREEN 96. The perimetric borders are made of 2mm-thick ABS that is the same colour as the top surface.

The wood drawers are fitted with a central lock; the sides of the drawers are made of 12 mm wood fibre boards covered by black PVC and the drawer bottoms are made of 3mm-thick fibreboard.

The handles are of the pivoting type in color in combination with the front. The sliding guides are made out of metal and have nylon buffers fitted with limit switches during opening and self-closing limit switches during closing.

The cabinets and PC towers are fitted with levelling feet and can be freestanding or integrated as supports for the workstation tops using special brackets that are supplied separately.

### BASE AND LATERAL PEDESTALS:

Structure made of 18 mm-thick melamine faced particleboard panels (Class E1 low formaldehyde content); available in GOLF SILVER 01, BR. WHITE 69, ANTHRACITE 55, STONE GREY 44 perimetrically finished with a 0.4 mm melamine border. The front and back are made of 18 mm-thick melamine faced particleboard panels (Class E1 low formaldehyde content) and available in colours: GOLF SILVER 01, OAK 03, GREY OAK 04, PAVIA WALNUT 06, STONE GREY 44, WENGE' 45, ANTHRACITE 55, BR. WHITE 69, FREESIA YELLOW 11, SKY BLUE 32, AMARANTH 33, WOOD GREEN 96. The perimetric borders are made of 2mm ABS that matches the top surface. The wood drawers are fitted with a central lock; the sides of the drawers are made of 12 mm wood fibreboards covered by black PVC and the drawer bottoms are made of 3mm-thick fibreboard. The sliding guides are made out of metal and have nylon buffers fitted with limit switches during opening and self-closing limit switches during closing.

The BASE OR LATERAL drawer units are completed with a finished top and placed next to the worktop or used under the worktop as a supporting structure.

The handles are of the pivoting type in color in combination with the front.

**PEDESTALS ON WHEELS:**

Structure made of 18 mm-thick melamine faced particleboard panels (Class E1 low formaldehyde content); available in GOLF SILVER 01, BR. WHITE 69, ANTHRACITE 55, STONE GREY 44, FREESIA YELLOW 11, SKY BLUE 32, AMARANTH 33, WOOD GREEN 96, perimetrically finished with a 0.4 mm melamine border. The front are made of 18 mm-thick melamine faced particleboard panels (Class E1 low formaldehyde content) and available in colours: GOLF SILVER 01, OAK 03, GREY OAK 04, PAVIA WALNUT 06, STONE GREY 44, WENGE' 45, ANTHRACITE 55, BR. WHITE 69, FREESIA YELLOW 11, SKY BLUE 32, AMARANTH 33, WOOD GREEN 96. The perimetric borders are made of 2 mm ABS that matches the top surface. The wood drawers are fitted with a central lock; the sides of the drawers are made of 12 mm wood fibreboards covered by black PVC and the drawer bottoms are made of 3 mm-thick fibreboard. The sliding guides are made out of metal and have nylon buffers fitted with limit switches during opening and self-closing limit switches during closing. The handles are of the pivoting type in color in combination with the front. The mobile pedestals are mounted on grey nylon pivoting wheels and the two front wheels are equipped with a safety brake.

**STORAGE DEEP 80CMS**

Can be used as under-top support (with stirrups that must be ordered separately) or free-standing.

The units are available in three categories:

- with a standard drawer (with lock)

- with door (with lock)

The structure is made of melamine woodychipboard 18 mm thick (25 mm thick base), (E1 class, low contents of formaldehyde) available in GOLF SILVER 01, BR. WHITE 69, ANTHRACITE 55, STONE GREY 44, with melamine edge mm 0.4. The base rests on levelling feet made of black nylon.

The front panel is made of melamine woodychipboard 18 mm thick (E1 class, low contents of formaldehyde) available in: GOLF SILVER 01, OAK 03, GREY OAK 04, PAVIA WALNUT 06, STONE GREY 44, WENGE' 45, ANTHRACITE 55, BR. WHITE 69, FREESIA YELLOW 11, SKY BLUE 32, AMARANTH 33, WOOD GREEN 96. The edge is made of 2 mm thick ABS of the same colour as the surface.

Vertical handle, made of polypropylene, supplied to match the color of the door and front.

The standard drawer is composed of shelves made of melamine woodychipboard 18 mm thick, the back is made of 12 mm thick melamine woodychipboard, (E1 class, low contents of formaldehyde) available in GOLF SILVER 01 and WHITE BRIL 69, with melamine edge 0.4 mm.

The shelves are covered with metal plate 1 mm thick silver varnished. The top shelf is equipped with stationary holder made of silver-colour plastic.

The storage units must always be completed with finishing top!

**FINISHING TOPS FOR STORAGE UNITS and LATERAL PEDESTAL**

Are available in two categories:

A) --Single : for matching tops cm 60-80 depth

B) --Double: for matching bench cm 165,2 depth

The tops are made of melamine woodychipboard 18 or 25 mm thick (E1 class, low contents of formaldehyde) available in: OAK 03, GREY OAK 04, PAVIA WALNUT 06, STONE GREY 44, WENGE' 45, BR. WHITE 69. The edge is made of 2 mm thick ABS of the same colour as the surface.

**MEETING TABLES WITH BRIDGE LEGS:**

The workstation tops are made with 18mm-thick melamine faced particleboard (Class E1 low formaldehyde content) and perimetrically bordered with 2mm ABS that matches the top surface; available in the following colours: OAK 03, GREY OAK 04, PAVIA WALNUT 06, STONE GREY 44, WENGE' 45, BR. WHITE 69. The workstation tops are equipped with integrated Top Access made of printed plastic that is the same colour as the top.

The TERMINAL bridge legs are made of 2mm trapezoidal-sectioned drawn tubular steel, painted with epoxy powders in the following colours: SILVER, WHITE, ANTHRACITE, STONE GREY. At the two lower ends they are equipped with printed Nylon feet that house the levelling feet.

They are pre-fitted on the upper transversal part for the attachment of the supporting beams.

The "CENTRAL or SHARED" bridge legs are made of square-sectioned drawn tubular steel, 50 x50 x 2 mm-thick, painted with epoxy powders in the following colours: SILVER, WHITE, ANTHRACITE, STONE GREY. At the two lower ends they are equipped with printed Nylon feet that house a levelling foot.

At the rectangular sectioned upper transversal part, 100 x 50 x 2 mm thick, they are pre-fitted for the attachment of the supporting beams.

Two types are available: open or closed via a 1 mm-thick sheet steel panelling with 1 fixed side and one inspectionable "WIRE MANAGER" side used to house wiring, related equipment and surplus materials.

The supporting beams are made of rectangular-sectioned drawn tubular steel 50 x 15 x 1,5 mm thick, painted with epoxy powders in colours: SILVER, WHITE, ANTHRACITE, STONE GREY.

At the ends, they are equipped with printed steel plates for the connection to the upper transversal rod of the legs and for mounting the workstation tops.

They are supplied complete with ABS carters that serve to conceal the leg/beam coupling screws.

Hanging accessories, including PC tower stands and wire conduits made of press-folded sheet steel can be fastened to the complete metal structure.

**TEAM TABLES WITH GANTRIES:** equipped with 18 mm thick top with 2 top access tip-up door in painted aluminum in the same color as the underlying legs and of a cable tray. The top is designed for fixing a sound-proofing front panel without using the extruded aluminum bar.

**SYSTEM****MODULAR PARTITION PANELS**

Composed of an extruded anodized aluminium perimetric frame, secured and assembled using side closure panels made of 25mm-thick particleboard (Class E1 low formaldehyde content).

For the part above the work top, the side panels come in three types (74cm and above):

- 1) 25mm-thick melamine faced; available in colours: OAK 03, GREY OAK 04, PAVIA WALNUT 06, STONE GREY 44, WENGE' 45, BR. WHITE 69.

- 2) Covered in covered in STRETCH FABRIC, available in 14 colours.

- 3) Methacrylate: in SATINED WHITE 5 mm-thick

The side closure panels for below the worktop (from 20 to 74 cm) are also made of 25mm-thick melamine faced particleboard, in GOLF SILVER 01.

The modular partition panels can be used as structural supports for the work tops and they are equipped with levelling feet. Transversely, they have extruded plastic profiles from which accessories can be hung in the recess provided.

On the aluminium upper traversal part of the modules themselves there is another horizontal recess for hanging accessories (in h 1500 panels this recess can be used for hanging document trays)

**THE WORKSTATION TOPS** are made with 25mm-thick melamine face particleboards (Class E1 low formaldehyde content) available in the following colours: OAK 03, GREY OAK 04, PAVIA WALNUT 06, STONE GREY 44, WENGE' 45, BR. WHITE 69., perimetrically finished with a 2mm ABS border that matches the top surface. All the work tops are equipped with integrated Top Access, made of silver printed plastic frame and cover made of 8mm thick. melamine faced particleboard panel in the same colour as the worktop surface.

**METAL FRAME LEGS**

Made with mixed rectangular/square-sectioned tubular metal, 50 mm x 20 mm and 20 x 20 x 2mm-thick, painted SILVER, with epoxy powders.

Pre-set for attaching supporting beams and tops. The legs can be connected to the partition wall via a coupling system located inside the perimetric profile recess in order to achieve a solid structure. They are also fitted with nylon levelling feet.

**BEAMS FOR FRAME LEGS**

Made with a rectangular-sectioned tubular metal 30 x 20 x 2mm-thick, painted SILVER with epoxy powders. Pre-set for mounting on the frame legs using printed nylon connection angles.

**SHELVES FOR MODULAR PARTITION PANELS**

They are made with 12 mm-thick melamine faced particleboard panels (Class E1 low formaldehyde content) and perimetrically edged with 2mm ABS that matches the top surface; available in GOLF SILVER 01. They are equipped with extruded aluminium support bars for anchorage to the modular partition wall.

The support bar is also available with an integrated Led light (from 25W till 50W) whose characteristics may vary according to the length chosen (from 60-80-100 cm).

**SUSPENDED STORAGE CABINET FOR PARTITION PANELS**

Available in either open style or with and up-and-over door.

The structure is made with an 18 mm-thick melamine faced particleboard panel (Class E1 low formaldehyde content), available in GOLF SILVER 01, perimetrically finished with a 0.4 mm melamine border.

The door is made with an 18 mm-thick melamine faced particleboard panel; available in colours: OAK 03, GREY OAK 04, PAVIA WALNUT 06, STONE GREY 44, WENGE' 45, BR. WHITE 69.

The perimetric edges are made of 2 mm ABS that is the same colour as the top surface. The up-and-over door, which opens at more than a 100° angle, comes complete with a lock. The unit is secured to the partition recess using shaped metal brackets.

**PACKAGING**

All the components are disassembled and packed when supplied, and have paper triple type folding packaging, fillets for the perimetric protection and for the fillings up, where needed. The corners are protected, where needed, through shock resistant edges protector. The packing closure occurs through sticky tape and welded nylon strap.

Pedestals are assembled, when supplied, protected through polystyrene angle bars on the sides and packed using thermo-retractable polyethylene leave when provided.

**INDICE DEI CODICI**  
*codes index*

 INDICE DEI CODICI / codes index  
 Mod. 5th ELEMENT

 \* = INDICARE IL CODICE FINITURA  
 = complete with finish code

CODICE code	DESCRIZIONE description	PAG. page	Cat. B €	Cat. D €	Cat. E €	Cat. F €	Cat. G €	PR1 €	PR2 CHROMED €
114 <b>958</b> *	CUSCINO PER CASSETTIERE SU RUOTE cushion for pedestals on wheels	75	69,00	78,00	82,00	85,00	91,00	-	-
152 <b>266</b> *	PENSILE PORTA-DOX A GIORNO L.60 open suspended storage cabinet w 60 cms	63	-	-	-	-	-	56,00	-
152 <b>267</b> *	PENSILE PORTA-DOX L.60 CON 1 ANTA LEGNO BASCULANTE E SERRATURA suspended suspended storage cabinet w 60 cms with 1 wooden door and lock	63	-	-	-	-	-	190,00	-
152 <b>268</b> *	SOSTEGNO PER PENSILI PORTA-DOX (OPTIONAL) support for suspended storage cabinets (optional)	63	-	-	-	-	-	29,00	-
152 <b>274</b> *	TOP PER 2 CASSETTIERE LATERALI O STORAGE L.42 x p.165,2 top for 2 lateral pedestals or storage w 42 x d 165,2 cms	25 mm	77-79	-	-	-	-	51,00	-
152 <b>276</b> *	TOP PER 2 MOBILI LATERALI L.46 x p.165,2 top for 2 lateral cabinets w 46 x d 165,2 cms	25 mm	73	-	-	-	-	53,00	-
152 <b>331</b> *	SCHERMO FRONTALE IN METACRILATO BIANCO L.60 white methacrylate front screen w 60	35	-	-	-	-	-	60,00	-
152 <b>332</b> *	SCHERMO FRONTALE IN METACRILATO BIANCO L.80 white methacrylate front screen w 80	35	-	-	-	-	-	87,00	-
152 <b>348</b> *	VASCHETTA PASSA-CAVI PER TOP ACCESS cable-tray for top access	80	-	-	-	-	-	29,00	-
152 <b>349</b> *	BASE PER LAMPADA base for lamp	80	-	-	-	-	-	55,00	-
152 <b>351</b> *	PORTA-PENNE pen-holder	32-64	-	-	-	-	-	30,00	-
152 <b>352</b> *	PORTA-OGGETTI object-holder	32-64	-	-	-	-	-	54,00	-
152 <b>353</b> *	KIT 2 PORTA-CARTA L.35 set of 2 paper-holder w 35 cms	32-64	-	-	-	-	-	69,00	-
152 <b>358</b> *	KIT 6 MANIGLIE set of 6 handles	75	-	-	-	-	-	38,00	-
152 <b>361</b> *	MORSETTO PER ANCORAGGIO LAMPADA A PIANI DI LAVORO clamp for fixing lamp to worktop	80	-	-	-	-	-	38,00	-
152 <b>362</b> *	BRACCIO SNODATO PORTA-VIDEO CON MORSETTO PER ANCORAGGIO A PIANI DI LAVORO articulated rotating video stand arm + clamp for fixing to worktops	80	-	-	-	-	-	263,00	-
152 <b>382</b> *	PIANO SCRIVANIA L.120 x p.60 desktop w 120 x d 60 cms	25 mm	41-58	-	-	-	-	54,00	-
152 <b>383</b> *	PIANO SCRIVANIA L.140 x p.60 desktop w 140 x d 60 cms	25 mm	41-58	-	-	-	-	60,00	-
152 <b>384</b> *	PIANO SCRIVANIA L.160 x p.60 desktop w 160 x d 60 cms	25 mm	41-58	-	-	-	-	66,00	-
152 <b>385</b> *	PIANO SCRIVANIA L.180 x p.60 desktop w 180 x d 60 cms	25 mm	41-58	-	-	-	-	74,00	-
152 <b>386</b> *	PIANO SCRIVANIA L.120 x p.60 desktop w 120 x d 60 cms	25 mm	58	CON TOP ACCESS with top access	-	-	-	93,00	-
152 <b>387</b> *	PIANO SCRIVANIA L.140 x p.60 desktop w 140 x d 60 cms	25 mm	58	CON TOP ACCESS with top access	-	-	-	102,00	-
152 <b>388</b> *	PIANO SCRIVANIA L.160 x p.60 desktop w 160 x d 60 cms	25 mm	58	CON TOP ACCESS with top access	-	-	-	109,00	-
152 <b>389</b> *	PIANO SCRIVANIA L.180 x p.60 desktop w 180 x d 60 cms	25 mm	58	CON TOP ACCESS with top access	-	-	-	116,00	-
152 <b>392</b> *	PIANO SCRIVANIA L.120 x p.80 desktop w 120 x d 80 cms	25 mm	41-58	-	-	-	-	64,00	-
152 <b>393</b> *	PIANO SCRIVANIA L.140 x p.80 desktop w 140 x d 80 cms	25 mm	41-58	-	-	-	-	75,00	-
152 <b>394</b> *	PIANO SCRIVANIA L.160 x p.80 desktop w 160 x d 80 cms	25 mm	41-58	-	-	-	-	84,00	-
152 <b>395</b> *	PIANO SCRIVANIA L.180 x p.80 desktop w 180 x d 80 cms	25 mm	41-58	-	-	-	-	92,00	-
152 <b>396</b> *	PIANO SCRIVANIA L.120 x p.80 desktop w 120 x d 80 cms	25 mm	58	CON TOP ACCESS with top access	-	-	-	108,00	-
152 <b>397</b> *	PIANO SCRIVANIA L.140 x p.80 desktop w 140 x d 80 cms	25 mm	58	CON TOP ACCESS with top access	-	-	-	117,00	-
152 <b>398</b> *	PIANO SCRIVANIA L.160 x p.80 desktop w 160 x d 80 cms	25 mm	58	CON TOP ACCESS with top access	-	-	-	127,00	-
152 <b>399</b> *	PIANO SCRIVANIA L.180 x p.80 desktop w 180 x d 80 cms	25 mm	58	CON TOP ACCESS with top access	-	-	-	138,00	-

\* = INDICARE IL CODICE FINITURA  
= complete with finish code

CODICE code	DESCRIZIONE description	PAG. page	Cat. B	Cat. D	Cat. E	Cat. F	Cat. G	PR1	PR2 CHROMED
			€	€	€	€	€		
			CREPE	STRETCH MELANGE TREVİ	LANA	TAYLOR	GO CHECK RUNNER		
152 404 *	PIANO WORKSTATION L.160 x p.100 DX right workstation top w 160 x d 100 cms	58	-	-	-	-	-	150,00	-
152 405 *	PIANO WORKSTATION L.160 x p.100 SX left workstation top w 160 x d 100 cms	58	-	-	-	-	-	150,00	-
152 415	PIANO TERMINALE PER BENCH PROF. CM 165,2 terminal desktop for bench depth 165,2 cms	41	-	-	-	-	-	87,00	-
152 422 *	TOP PER MOBILE SOTTOPIANO L.80 x p.46,2 top for undertop cabinet w 80 x d 46,2 cms	73	-	-	-	-	-	31,00	-
152 425 *	TOP PER MOBILE SOTTOPIANO L.80 x p.46,2 top for undertop cabinet w 80 x d 46,2 cms	73	-	-	-	-	-	31,00	-
152 430 *	STAFFA DI COLLEGAMENTO PIANI stirrup for fixing tops	59	-	-	-	-	-	19,00	-
152 431 *	STAFFA stirrup	59	-	-	-	-	-	19,00	-
152 433 *	ALLUNGO L.60 x p.60 extension w 60 x d 60 cms	59	-	-	-	-	-	31,00	-
152 434 *	ALLUNGO L.80 x p.60 extension w 80 x d 60 cms	59	-	-	-	-	-	39,00	-
152 435 *	ALLUNGO L.100 x p.60 extension w 100 x d 60 cms	59	-	-	-	-	-	46,00	-
152 441 *	STORAGE CON CASSETTO ESTRAIBILE PROF. 80 X H.71 storage with pull-out drawer depth 80 x h.71 cms	78	-	-	-	-	-	448,00	-
152 443 *	STORAGE CON CASSETTO ESTRAIBILE PROF. 80 X H.109,3 storage with pull-out drawer depth 80 x h.109,3 cms	78	-	-	-	-	-	581,00	-
152 448 *	TOP PER CASSETTIERA PROF. CM 60 top for pedestal depth 60 cms	77	-	-	-	-	-	21,00	-
152 449 *	TOP PER CASSETTIERA O STORAGE PROF. CM 80 top for pedestal or storage depth 80 cms	77-79	-	-	-	-	-	28,00	-
152 450 *	2 COPERTURE LATERALI PER STORAGE 2 side covers for storage	79	-	-	-	-	-	85,00	-
152 454 *	MOBILE DI SERVIZIO L.140 TERMINALE DX O SX (CON 1 ANTA SCORREVOLE E VANO A GIORNO) right or left terminal service unit w 140 cms (with 1 sliding door and open compartment)	17-65	-	-	-	-	-	264,00	-
152 457 *	MOBILE DI SERVIZIO L.140 CENTRALE (CON 2 ANTE SCORREVOLI E 2 VANI A GIORNO) central service unit w 140 cms (with 2 sliding doors and 2 open glove compartments in double-side)	65	-	-	-	-	-	335,00	-
152 458 *	PORTA-CPU CENTRALE PER POSTAZIONI CONTRAPPOSTE central CPU-holder for 2 opposite stationing	66	-	-	-	-	-	125,00	-
152 463 *	MOBILE BASSO L.80 CON 2 ANTE LEGNO CON SERRATURA low cabinet w 80 cms with 2 wooden doors with lock	72	-	-	-	-	-	161,00	-
152 468 *	PORTA-CPU CENTRALE PER POSTAZIONI AFFIANCATE central CPU-holder for 2 side by side stationing	66	-	-	-	-	-	116,00	-
152 473 *	SCHIENA PER SCRIVANIA L.120 modesty panel for desk w 120 cms	23-29	-	-	-	-	-	35,00	-
152 474 *	SCHIENA PER SCRIVANIA L.140 modesty panel for desk w 140 cms	23-29	-	-	-	-	-	37,00	-
152 476 *	SCHIENA PER SCRIVANIA O WORKSTATION L.160 modesty panel for desk or workstation w 160 cms	23-29	-	-	-	-	-	40,00	-
152 477 *	SCHIENA PER SCRIVANIA L.180 modesty panel for desk w 180 cms	23-29	-	-	-	-	-	43,00	-
152 483 *	PANNELLO FRONTALE L.120 front panel w 120 cms	32	-	-	-	-	-	60,00	-
152 484 *	PANNELLO FRONTALE L.140 front panel w 140 cms	32	-	-	-	-	-	65,00	-
152 485 *	PANNELLO FRONTALE L.160 front panel w 160 cms	32	-	-	-	-	-	70,00	-
152 486 *	PANNELLO FRONTALE L.180 front panel w 180 cms	32	-	-	-	-	-	75,00	-
152 493 *	PANNELLO FRONTALE L.120 front panel w 120 cms	32	181,00	189,00	202,00	208,00	218,00	-	-
152 494 *	PANNELLO FRONTALE L.140 front panel w 140 cms	32	192,00	200,00	213,00	219,00	229,00	-	-
152 495 *	PANNELLO FRONTALE L.160 front panel w 160 cms	32	203,00	216,00	237,00	247,00	262,00	-	-
152 496 *	PANNELLO FRONTALE L.180 front panel w 180 cms	32	217,00	232,00	257,00	268,00	286,00	-	-

5<sup>TH</sup> ELEMENT

\* = INDICARE IL CODICE FINITURA  
= complete with finish code

CODICE code	DESCRIZIONE description	PAG. page	Cat. B	Cat. D	Cat. E	Cat. F	Cat. G	PR1 €	PR2 CHROMED €
			€	€	€	€	€		
			CREPE	STRETCH MELANGE TREVI	LANA	TAYLOR	GO CHECK RUNNER		
152 602 *	MOBILE DI SERVIZIO L.140 CENTRALE CON ANTINE SCORREVOLI E PORTA-CPU BIFACCIALI+VANO A GIORNO central service unit w 140 cms with sliding doors and CPU-holder in double-sides + open glove compartment	66	-	-	-	-	-	357,00	-
152 616 *	STORAGE CON ANTA DX CON SERRATURA PROF. 80 X H.71 storage with right wooden door with lock depth 80 x h.71 cms	78	-	-	-	-	-	164,00	-
152 617 *	STORAGE CON ANTA SX CON SERRATURA PROF. 80 X H.71 storage with left wooden door with lock depth 80 x h.71 cms	78	-	-	-	-	-	164,00	-
152 618 *	STORAGE CON ANTA DX CON SERRATURA PROF. 80 X H.109,3 storage with right wooden door with lock depth 80 x h.109,3 cms	78	-	-	-	-	-	221,00	-
152 619 *	STORAGE CON ANTA SX CON SERRATURA PROF. 80 X H.109,3 storage with left wooden door with lock depth 80 x h.109,3 cms	78	-	-	-	-	-	221,00	-
152 621 *	STORAGE CON ANTA DX CON SERRATURA PROF. 80 X H.109,3 storage with right wooden door with lock depth 80 x h.109,3 cms	78	-	-	-	-	-	229,00	-
152 622 *	STORAGE CON ANTA SX CON SERRATURA PROF. 80 X H.109,3 storage with left wooden door with lock depth 80 x h.109,3 cms	78	-	-	-	-	-	229,00	-
152 682 *	VASCHETTA PASSACAVI PER SCRIVANIE SINGOLE L.100 cable tray for single desks w 100 cms	48	-	-	-	-	-	21,00	-
152 683 *	VASCHETTA PASSACAVI PER SCRIVANIE SINGOLE L.120 cable tray for single desks w 120 cms	48	-	-	-	-	-	26,00	-
152 684 *	VASCHETTA PASSACAVI PER SCRIVANIE SINGOLE L.140 cable tray for single desks w 140 cms	48	-	-	-	-	-	32,00	-
152 685 *	VASCHETTA PASSACAVI PER SCRIVANIE SINGOLE L.160 cable tray for single desks w 160 cms	48	-	-	-	-	-	39,00	-
152 686 *	VASCHETTA PASSACAVI PER SCRIVANIE SINGOLE L.180 cable tray for single desks w 180 cms	48	-	-	-	-	-	45,00	-
152 687 *	VASCHETTA PASSACAVI PER SCRIVANIE SINGOLE L.200 cable tray for single desks w 200 cms	48	-	-	-	-	-	53,00	-
152 688 *	VASCHETTA PASSACAVI PER SCRIVANIE SINGOLE L.220 cable tray for single desks w 220 cms	48	-	-	-	-	-	57,00	-
152 699 *	KIT CANALINE PASSACAVI PER SISTEMA PARETINE (SU PIANI 120-140) set of cable trays for panel system (on tops 120-140)	62	-	-	-	-	-	55,00	-
152 700 *	KIT CANALINE PASSACAVI PER SISTEMA PARETINE (SU PIANI 160-180) set of cable trays for panel system (on tops 160-180)	62	-	-	-	-	-	63,00	-
152 701 *	SALITA PASSACAVI H.39 PER SISTEMA PARETINE rising cable tray h 39 cms for panel system	62	-	-	-	-	-	30,00	-
152 704 *	MENSOLA L.60 shelf w 60 cms	62	-	-	-	-	-	33,00	-
152 706 *	MENSOLA L.80 shelf w 80 cms	62	-	-	-	-	-	40,00	-
152 708 *	MENSOLA L.100 shelf w 100 cms	62	-	-	-	-	-	49,00	-
152 715 *	MENSOLA L.60 CON LAMPADA A LED shelf w 60 cms with led lamp	62	-	-	-	-	-	133,00	-
152 759 *	KIT 4 PASSACAVI Ø 60 mm PER PANNELLI PARETINE set of 4 cable-ways Ø 60 mm for partition panels	62	-	-	-	-	-	18,00	-
152 764 *	CASSETTIERA BASE O LATERALE 4 CASSETTI (PROF. CM 60) (CON CHIUSURA AMMORTIZZATA) base or lateral pedestal with 4 drawers (depth 60 cms) (with soft-close)	76	-	-	-	-	-	273,00	-
152 765 *	MOBILE DI SERVIZIO L.100 TERMINALE DX O SX (CON CASSETTI, ANTINA E PORTA-CPU) (CON CHIUSURA AMMORTIZZATA) right or left terminal service unit w 100 cms (with drawers, door)	65	-	-	-	-	-	347,00	-
152 769 *	CLASSIFICATORE FREE-STANDING CON SERRATURA (CON CHIUSURA AMMORTIZZATA) free-standing file-pedestal with lock (with soft-close)	67	-	-	-	-	-	204,00	-
152 775 *	CASSETTIERA BASE O LATERALE CON 1 CLASSIFICATORE (PROF. CM 60) (CON CHIUSURA AMMORTIZZATA) base or lateral pedestal with 1 file-drawer (depth 60 cms) (with soft-close)	76	-	-	-	-	-	287,00	-
152 776 *	CASSETTIERA BASE O LATERALE 4 CASSETTI (PROF. CM 80) (CON CHIUSURA AMMORTIZZATA) base or lateral pedestal with 4 drawers (depth 80 cms) (with soft-close)	76	-	-	-	-	-	282,00	-
152 777 *	CASSETTIERA BASE O LATERALE CON 1 CLASSIFICATORE (PROF. CM 80) (CON CHIUSURA AMMORTIZZATA) base or lateral pedestal with 1 file-drawer (depth 80 cms) (with soft-close)	76	-	-	-	-	-	302,00	-
152 778 *	MOBILE DI SERVIZIO L.120 CON 3 CASSETTI E 1 ANTA DX (CON CHIUSURA AMMORTIZZATA) service unit w 120 cms with 3 drawers and 1 right wooden door (with soft-close)	17-65	-	-	-	-	-	347,00	-
152 779 *	MOBILE DI SERVIZIO L.120 CON 3 CASSETTI E 1 ANTA SX (CON CHIUSURA AMMORTIZZATA) service unit w 120 cms with 3 drawers and 1 left wooden door (with soft-close)	17-65	-	-	-	-	-	347,00	-
152 780 *	CASSETTIERA SU RUOTE 3 CASSETTI (CON SERRATURA) (CON CHIUSURA AMMORTIZZATA) mobile pedestal with 3 drawers (with lock) (with soft-close)	74	-	-	-	-	-	204,00	-
152 781 *	CASSETTIERA SU RUOTE 3 CASSETTI (CON SERRATURA) (CON CHIUSURA AMMORTIZZATA) mobile pedestal with 3 drawers (with lock) (with soft-close)	74	-	-	-	-	-	341,00	-



\* = INDICARE IL CODICE FINITURA  
= complete with finish code

CODICE code	DESCRIZIONE description	PAG. page	Cat. B	Cat. D	Cat. E	Cat. F	Cat. G	PR1	PR2 CHROMED
			€	€	€	€	€	€	€
			CREPE	STRETCH MELANGE TREVI	LANA	TAYLOR	GO CHECK RUNNER		
152 782 *	CASSETTIERA-CLASSIFICATORE SU RUOTE (CON SERRATURA) (CON CHIUSURA AMMORTIZZATA) mobile pedestal with file-drawer (with lock) (with soft-close)	74	-	-	-	-	-	226,00	-
152 783 *	CASSETTIERA-CLASSIFICATORE SU RUOTE (CON SERRATURA) (CON CHIUSURA AMMORTIZZATA) mobile pedestal with file-drawer (with lock) (with soft-close)	74	-	-	-	-	-	333,00	-
152 784 *	CASSETTIERA SU RUOTE 3 CASSETTI CON SERRATURA + 1 PORTA-CANCELLERIA (CHIUSURA AMMORTIZZATA) Pedestal on wheels 3 drawers with lock + 1 stationery-drawer (with soft-close)	74	-	-	-	-	-	247,00	-
152 785 *	CASSETTIERA SU RUOTE 3 CASSETTI CON SERRATURA + 1 PORTA-CANCELLERIA (CHIUSURA AMMORTIZZATA) Pedestal on wheels 3 drawers with lock + 1 stationery-drawer (with soft-close)	74	-	-	-	-	-	384,00	-
152 786 *	MOBILE DI SERVIZIO L.100 CENTRALE (CON CASSETTO E PORTA-CPU BIFACCIALI) (CON CHIUSURA AMMORTIZZATA) central service unit w 100 cms (with drawer and CPU-holder in double -side) (with soft-close)	65	-	-	-	-	-	369,00	-
152 790 *	MODULO PARETINA CIECO L.60 x H.111 blind module w 60 x h 111	55	-	-	-	-	-	121,00	-
152 792 *	MODULO PARETINA CIECO L.80 x H.111 blind module w 80 x h 111	55	-	-	-	-	-	138,00	-
152 794 *	MODULO PARETINA CIECO L.100 x H.111 blind module w 100 x h 111	55	-	-	-	-	-	153,00	-
152 795 *	MODULO PARETINA CIECO L.120 x H.111 blind module w 120 x h 111	55	-	-	-	-	-	167,00	-
152 796 *	MODULO PARETINA CIECO L.140 x H.111 blind module w 140 x h 111	55	-	-	-	-	-	188,00	-
152 797 *	MODULO PARETINA CIECO L.160 x H.111 blind module w 160 x h 111	55	-	-	-	-	-	201,00	-
152 798 *	MODULO PARETINA CIECO L.180 x H.111 blind module w 180 x h 111	55	-	-	-	-	-	214,00	-
152 800 *	MODULO PARETINA CON ELEMENTO SUPERIORE IN METACRILATO L.60 x H.111 module with upper methacrylate element w 60 x h 111	55	-	-	-	-	-	143,00	-
152 802 *	MODULO PARETINA CON ELEMENTO SUPERIORE IN METACRILATO L.80 x H.111 module with upper methacrylate element w 80 x h 111	55	-	-	-	-	-	176,00	-
152 804 *	MODULO PARETINA CON ELEMENTO SUPERIORE IN METACRILATO L.100 x H.111 module with upper methacrylate element w 100 x h 111	55	-	-	-	-	-	198,00	-
152 805 *	MODULO PARETINA CON ELEMENTO SUPERIORE IN METACRILATO L.120 x H.111 module with upper methacrylate element w 120 x h 111	55	-	-	-	-	-	250,00	-
152 806 *	MODULO PARETINA CON ELEMENTO SUPERIORE IN METACRILATO L.140 x H.111 module with upper methacrylate element w 140 x h 111	55	-	-	-	-	-	262,00	-
152 807 *	MODULO PARETINA CON ELEMENTO SUPERIORE IN METACRILATO L.160 x H.111 module with upper methacrylate element w 160 x h 111	55	-	-	-	-	-	302,00	-
152 808 *	MODULO PARETINA CON ELEMENTO SUPERIORE IN METACRILATO L.180 x H.111 module with upper methacrylate element w 180 x h 111	55	-	-	-	-	-	332,00	-
152 890 *	MONTANTE PER PARETINA H.111 upright for partition panel h.111	60	-	-	-	-	-	32,00	-
152 891 *	MONTANTE PER PARETINA H.150 upright for partition panel h.150	60	-	-	-	-	-	43,00	-
152 893 *	GAMBA CORNICE TERMINALE DX O SX PROF. CM 60 right or left terminal frame leg depth 60 cms	60	-	-	-	-	-	61,00	-
152 894 *	GAMBA CORNICE CENTRALE PROF. CM 60 central frame leg depth 60 cms	60	-	-	-	-	-	72,00	-
152 895 *	GAMBA CORNICE TERMINALE DX O SX PROF. CM 80 right or left terminal frame leg depth 80 cms	60	-	-	-	-	-	69,00	-
152 896 *	GAMBA CORNICE CENTRALE PROF. CM 80 central frame leg depth 80 cms	60	-	-	-	-	-	78,00	-
152 898 *	STAFFA PER ATTACCO GAMBA A CORNICE-TRAVE- PARETINA strut for connection frame leg-beam-partition panel	60	-	-	-	-	-	10,00	-
152 899 *	KIT 2 STAFFE PER GAMBE A CORNICE kit 2 stirrups for frame legs	60	-	-	-	-	-	13,00	-
152 903 *	KIT TRAVI L.120 PER GAMBE A CORNICE kit beams w 120 for frame legs	60	-	-	-	-	-	37,00	-
152 904 *	KIT TRAVI L.140 PER GAMBE A CORNICE kit beams w 140 for frame legs	60	-	-	-	-	-	40,00	-
152 905 *	KIT TRAVI L.160 PER GAMBE A CORNICE kit beams w 160 for frame legs	60	-	-	-	-	-	44,00	-
152 906 *	KIT TRAVI L.180 PER GAMBE A CORNICE kit beams w 180 for frame legs	60	-	-	-	-	-	48,00	-
152 907 *	KIT 2 PIASTRINI REGGI-PIANO SU PARETINE kit 2 plates for fixing desktops with partition panels	61	-	-	-	-	-	12,00	-

5<sup>th</sup> ELEMENT

\* = INDICARE IL CODICE FINITURA  
= complete with finish code

CODICE code	DESCRIZIONE description	PAG. page	Cat. B	Cat. D	Cat. E	Cat. F	Cat. G	PR1	PR2 CHROMED
			€	€	€	€	€	€	€
			CREPE	STRETCH MELANGE TREVI	LANA	TAYLOR	GO CHECK RUNNER		
152 908 *	KIT 4 PIASTRINI REGGI-PIANO SU PARETINE kit 4 plates for fixing desktops with partition panels	61	-	-	-	-	-	18,00	-
152 909 *	KIT 12 PIASTRINI REGGI-PIANO SU PARETINE kit 12 plates for fixing desktops with partition panels	61	-	-	-	-	-	46,00	-
152 910 *	MODULO PARETINA CIECO L.60 x H.150 blind module w 60 x h 150	56	-	-	-	-	-	168,00	-
152 912 *	MODULO PARETINA CIECO L.80 x H.150 blind module w 80 x h 150	56	-	-	-	-	-	191,00	-
152 914 *	MODULO PARETINA CIECO L.100 x H.150 blind module w 100 x h 150	56	-	-	-	-	-	215,00	-
152 915 *	MODULO PARETINA CIECO L.120 x H.150 blind module w 120 x h 150	56	-	-	-	-	-	234,00	-
152 916 *	MODULO PARETINA CIECO L.140 x H.150 blind module w 140 x h 150	56	-	-	-	-	-	264,00	-
152 917 *	MODULO PARETINA CIECO L.160 x H.150 blind module w 160 x h 150	56	-	-	-	-	-	280,00	-
152 918 *	MODULO PARETINA CIECO L.180 x H.150 blind module w 180 x h 150	56	-	-	-	-	-	298,00	-
152 920 *	MODULO PARETINA CON ELEMENTO INTERMEDIO IN METACRILATO L.80 x H.150 module with intermediate methacrylate element w 80 x h 150	56	-	-	-	-	-	182,00	-
152 922 *	MODULO PARETINA CON ELEMENTO INTERMEDIO IN METACRILATO L.80 x H.150 module with intermediate methacrylate element w 80 x h 150	56	-	-	-	-	-	219,00	-
152 924 *	MODULO PARETINA CON ELEMENTO INTERMEDIO IN METACRILATO L.100 x H.150 module with intermediate methacrylate element w 100 x h 150	56	-	-	-	-	-	246,00	-
152 925 *	MODULO PARETINA CON ELEMENTO INTERMEDIO IN METACRILATO L.120 x H.150 module with intermediate methacrylate element w 120 x h 150	56	-	-	-	-	-	302,00	-
152 926 *	MODULO PARETINA CON ELEMENTO INTERMEDIO IN METACRILATO L.140 x H.150 module with intermediate methacrylate element w 140 x h 150	56	-	-	-	-	-	323,00	-
152 927 *	MODULO PARETINA CON ELEMENTO INTERMEDIO IN METACRILATO L.160 x H.150 module with intermediate methacrylate element w 160 x h 150	56	-	-	-	-	-	365,00	-
152 928 *	MODULO PARETINA CON ELEMENTO INTERMEDIO IN METACRILATO L.180 x H.150 module with intermediate methacrylate element w 180 x h 150	56	-	-	-	-	-	399,00	-
152 930 *	MODULO PARETINA CON ELEMENTO SUPERIORE IN METACRILATO L.80 x H.150 module with upper methacrylate element w 80 x h 150	57	-	-	-	-	-	182,00	-
152 932 *	MODULO PARETINA CON ELEMENTO SUPERIORE IN METACRILATO L.80 x H.150 module with upper methacrylate element w 80 x h 150	57	-	-	-	-	-	219,00	-
152 934 *	MODULO PARETINA CON ELEMENTO SUPERIORE IN METACRILATO L.100 x H.150 module with upper methacrylate element w 100 x h 150	57	-	-	-	-	-	246,00	-
152 935 *	MODULO PARETINA CON ELEMENTO SUPERIORE IN METACRILATO L.120 x H.150 module with upper methacrylate element w 120 x h 150	57	-	-	-	-	-	302,00	-
152 936 *	MODULO PARETINA CON ELEMENTO SUPERIORE IN METACRILATO L.140 x H.150 module with upper methacrylate element w 140 x h 150	57	-	-	-	-	-	323,00	-
152 937 *	MODULO PARETINA CON ELEMENTO SUPERIORE IN METACRILATO L.160 x H.150 module with upper methacrylate element w 160 x h 150	57	-	-	-	-	-	365,00	-
152 938 *	MODULO PARETINA CON ELEMENTO SUPERIORE IN METACRILATO L.180 x H.150 module with upper methacrylate element w 180 x h 150	57	-	-	-	-	-	399,00	-
152 940 *	MODULO PARETINA CIECO L.60 x H.111 blind module w 60 x h 111	55	-	151,00	-	-	-	-	-
152 942 *	MODULO PARETINA CIECO L.80 x H.111 blind module w 80 x h 111	55	-	176,00	-	-	-	-	-
152 944 *	MODULO PARETINA CIECO L.100 x H.111 blind module w 100 x h 111	55	-	201,00	-	-	-	-	-
152 945 *	MODULO PARETINA CIECO L.120 x H.111 blind module w 120 x h 111	55	-	222,00	-	-	-	-	-
152 946 *	MODULO PARETINA CIECO L.140 x H.111 blind module w 140 x h 111	55	-	254,00	-	-	-	-	-
152 947 *	MODULO PARETINA CIECO L.160 x H.111 blind module w 160 x h 111	55	-	275,00	-	-	-	-	-
152 948 *	MODULO PARETINA CIECO L.180 x H.111 blind module w 180 x h 111	55	-	298,00	-	-	-	-	-
152 950 *	MODULO PARETINA CIECO L.60 x H.150 blind module w 60 x h 150	56	-	229,00	-	-	-	-	-
152 952 *	MODULO PARETINA CIECO L.80 x H.150 blind module w 80 x h 150	56	-	267,00	-	-	-	-	-

\* = INDICARE IL CODICE FINITURA  
= complete with finish code

CODICE code	DESCRIZIONE description	PAG. page	Cat. B	Cat. D	Cat. E	Cat. F	Cat. G	PR1	PR2 CHROMED
			€	€	€	€	€	€	€
152 954 *	MODULO PARETINA CIECO L.100 x H.150 blind module w 100 x h 150	56	-	309,00	-	-	-	-	-
152 955 *	MODULO PARETINA CIECO L.120 x H.150 blind module w 120 x h 150	56	-	344,00	-	-	-	-	-
152 956 *	MODULO PARETINA CIECO L.140 x H.150 blind module w 140 x h 150	56	-	396,00	-	-	-	-	-
152 957 *	MODULO PARETINA CIECO L.160 x H.150 blind module w 160 x h 150	56	-	429,00	-	-	-	-	-
152 958 *	MODULO PARETINA CIECO L.180 x H.150 blind module w 180 x h 150	56	-	465,00	-	-	-	-	-
152 960 *	MODULO PARETINA CON ELEMENTO INTERMEDIO IN METACRILATO L.60 x H.150 module with intermediate methacrylate element w 60 x h 150	56	-	206,00	-	-	-	-	-
152 962 *	MODULO PARETINA CON ELEMENTO INTERMEDIO IN METACRILATO L.80 x H.150 module with intermediate methacrylate element w 80 x h 150	56	-	253,00	-	-	-	-	-
152 964 *	MODULO PARETINA CON ELEMENTO INTERMEDIO IN METACRILATO L.100 x H.150 module with intermediate methacrylate element w 100 x h 150	56	-	285,00	-	-	-	-	-
152 965 *	MODULO PARETINA CON ELEMENTO INTERMEDIO IN METACRILATO L.120 x H.150 module with intermediate methacrylate element w 120 x h 150	56	-	348,00	-	-	-	-	-
152 966 *	MODULO PARETINA CON ELEMENTO INTERMEDIO IN METACRILATO L.140 x H.150 module with intermediate methacrylate element w 140 x h 150	56	-	376,00	-	-	-	-	-
152 967 *	MODULO PARETINA CON ELEMENTO INTERMEDIO IN METACRILATO L.160 x H.150 module with intermediate methacrylate element w 160 x h 150	56	-	428,00	-	-	-	-	-
152 968 *	MODULO PARETINA CON ELEMENTO INTERMEDIO IN METACRILATO L.180 x H.150 module with intermediate methacrylate element w 180 x h 150	56	-	468,00	-	-	-	-	-
152 970 *	MODULO PARETINA CON ELEMENTO SUPERIORE IN METACRILATO L.60 x H.150 module with upper methacrylate element w 60 x h 150	57	-	206,00	-	-	-	-	-
152 972 *	MODULO PARETINA CON ELEMENTO SUPERIORE IN METACRILATO L.80 x H.150 module with upper methacrylate element w 80 x h 150	57	-	253,00	-	-	-	-	-
152 974 *	MODULO PARETINA CON ELEMENTO SUPERIORE IN METACRILATO L.100 x H.150 module with upper methacrylate element w 100 x h 150	57	-	285,00	-	-	-	-	-
152 975 *	MODULO PARETINA CON ELEMENTO SUPERIORE IN METACRILATO L.120 x H.150 module with upper methacrylate element w 120 x h 150	57	-	348,00	-	-	-	-	-
152 976 *	MODULO PARETINA CON ELEMENTO SUPERIORE IN METACRILATO L.140 x H.150 module with upper methacrylate element w 140 x h 150	57	-	376,00	-	-	-	-	-
152 977 *	MODULO PARETINA CON ELEMENTO SUPERIORE IN METACRILATO L.160 x H.150 module with upper methacrylate element w 160 x h 150	57	-	428,00	-	-	-	-	-
152 978 *	MODULO PARETINA CON ELEMENTO SUPERIORE IN METACRILATO L.180 x H.150 module with upper methacrylate element w 180 x h 150	57	-	468,00	-	-	-	-	-
153 003 *	SCRIVANIA L.120 x p.60 CON GAMBE A PONTE desk w 120 x d 60 cms with bridge metal legs	23	-	-	-	-	-	304,00	-
153 004 *	SCRIVANIA L.140 x p.60 CON GAMBE A PONTE desk w 140 x d 60 cms with bridge metal legs	23	-	-	-	-	-	316,00	-
153 005 *	SCRIVANIA L.160 x p.60 CON GAMBE A PONTE desk w 160 x d 60 cms with bridge metal legs	23	-	-	-	-	-	329,00	-
153 006 *	SCRIVANIA L.180 x p.60 CON GAMBE A PONTE desk w 180 x d 60 cms with bridge metal legs	23	-	-	-	-	-	342,00	-
153 010 *	ALLUNGO L.120 x p.60 CON GAMBA A PONTE extension w 120 x d 60 cms with bridge metal leg	13-23	-	-	-	-	-	259,00	394,00
153 013 *	ALLUNGO L80 x p.60 CON GAMBA A PONTE extension w 80 x d 60 cms with bridge metal leg	13-23	-	-	-	-	-	236,00	371,00
153 014 *	ALLUNGO L.100 x p.60 CON GAMBA A PONTE extension w 100 x d 60 cms with bridge metal leg	13-23	-	-	-	-	-	248,00	383,00
153 015 *	ALLUNGO L.120 x p.60 PER CASSETTIERA-BASE extension w 120 x d 60 cms for base-pedestal	13-23-29	-	-	-	-	-	136,00	-
153 018 *	ALLUNGO L.80 x p.60 PER CASSETTIERA-BASE extension w 80 x d 60 cms for base-pedestal	13-23-29	-	-	-	-	-	124,00	-
153 019 *	ALLUNGO L.100 x p.60 PER CASSETTIERA-BASE extension w 100 x d 60 cms for base-pedestal	13-23-29	-	-	-	-	-	133,00	-
153 020 *	SCRIVANIA L.120 x p.80 CON GAMBE A PONTE desk w 120 x d 80 cms with bridge metal legs	23	-	-	-	-	-	335,00	-
153 021 *	SCRIVANIA L.140 x p.80 CON GAMBE A PONTE desk w 140 x d 80 cms with bridge metal legs	23	-	-	-	-	-	348,00	-

5<sup>TH</sup> ELEMENT

\* = INDICARE IL CODICE FINITURA  
= complete with finish code

CODICE code	DESCRIZIONE description	PAG. page	Cat. B	Cat. D	Cat. E	Cat. F	Cat. G	PR1 €	PR2 CHROMED €	
			CREPE	STRETCH MELANGE TREVÌ	LANA	TAYLOR	GO CHECK RUNNER			
153 022 *	SCRIVANIA L.160 x p.80 CON GAMBE A PONTE desk w 160 x d 80 cms with bridge metal legs	18 mm	23	-	-	-	-	-	361,00	-
153 023 *	SCRIVANIA L.180 x p.80 CON GAMBE A PONTE desk w 180 x d 80 cms with bridge metal legs	18 mm	23	-	-	-	-	-	378,00	-
153 025 *	2 SCRIVANIE IN LINEA L.240 x p.80 CON GAMBE A PONTE 2 linear desks w 240 x d 80 cms with bridge metal legs	18 mm	24	-	-	-	-	-	535,00	-
153 026 *	2 SCRIVANIE IN LINEA L.280 x p.80 CON GAMBE A PONTE 2 linear desks w 280 x d 80 cms with bridge metal legs	18 mm	24	-	-	-	-	-	561,00	-
153 027 *	2 SCRIVANIE IN LINEA L.320 x p.80 CON GAMBE A PONTE 2 linear desks w 320 x d 80 cms with bridge metal legs	18 mm	24	-	-	-	-	-	587,00	-
153 028 *	2 SCRIVANIE IN LINEA L.240 x p.80 CON GAMBE A PONTE 2 linear desks w 360 x d 80 cms with bridge metal legs	18 mm	24	-	-	-	-	-	621,00	-
153 035 *	3 SCRIVANIE IN LINEA L.360 x p.80 CON GAMBE A PONTE 3 linear desks w 360 x d 80 cms with bridge metal legs	18 mm	24	-	-	-	-	-	735,00	-
153 036 *	3 SCRIVANIE IN LINEA L.420 x p.80 CON GAMBE A PONTE 3 linear desks w 420 x d 80 cms with bridge metal legs	18 mm	24	-	-	-	-	-	774,00	-
153 037 *	3 SCRIVANIE IN LINEA L.480 x p.80 CON GAMBE A PONTE 3 linear desks w 480 x d 80 cms with bridge metal legs	18 mm	24	-	-	-	-	-	813,00	-
153 038 *	3 SCRIVANIE IN LINEA L.540 x p.80 CON GAMBE A PONTE 3 linear desks w 540 x d 80 cms with bridge metal legs	18 mm	24	-	-	-	-	-	864,00	-
153 055 *	1 BENCH L.120 x p.125,2 CON GAMBE A PONTE 1 bench w 120 x d 125,2 cms with bridge metal legs	18 mm	25	-	-	-	-	-	480,00	-
153 056 *	1 BENCH L.140 x p.125,2 CON GAMBE A PONTE 1 bench w 140 x d 125,2 cms with bridge metal legs	18 mm	25	-	-	-	-	-	504,00	-
153 057 *	1 BENCH L.160 x p.125,2 CON GAMBE A PONTE 1 bench w 160 x d 125,2 cms with bridge metal legs	18 mm	25	-	-	-	-	-	530,00	-
153 058 *	1 BENCH L.180 x p.125,2 CON GAMBE A PONTE 1 bench w 180 x d 125,2 cms with bridge metal legs	18 mm	25	-	-	-	-	-	556,00	-
153 060 *	BENCH L.240 x p.125,2 CON GAMBE A PONTE bench w 240 x d 125,2 cms with bridge metal legs	18 mm	25	-	-	-	-	-	810,00	-
153 061 *	BENCH L.280 x p.125,2 CON GAMBE A PONTE bench w 280 x d 125,2 cms with bridge metal legs	18 mm	25	-	-	-	-	-	858,00	-
153 062 *	BENCH L.320 x p.125,2 CON GAMBE A PONTE bench w 320 x d 125,2 cms with bridge metal legs	18 mm	25	-	-	-	-	-	910,00	-
153 063 *	BENCH L.360 x p.125,2 CON GAMBE A PONTE bench w 360 x d 125,2 cms with bridge metal legs	18 mm	25	-	-	-	-	-	962,00	-
153 070 *	BENCH L.360 x p.125,2 CON GAMBE A PONTE bench w 360 x d 125,2 cms with bridge metal legs	18 mm	25	-	-	-	-	-	1.140,00	-
153 071 *	BENCH L.420 x p.125,2 CON GAMBE A PONTE bench w 420 x d 125,2 cms with bridge metal legs	18 mm	25	-	-	-	-	-	1.212,00	-
153 072 *	BENCH L.480 x p.125,2 CON GAMBE A PONTE bench w 480 x d 125,2 cms with bridge metal legs	18 mm	25	-	-	-	-	-	1.290,00	-
153 073 *	BENCH L.540 x p.125,2 CON GAMBE A PONTE bench w 540 x d 125,2 cms with bridge metal legs	18 mm	25	-	-	-	-	-	1.368,00	-
153 090 *	BENCH L.120 x p.165,2 CON GAMBE A PONTE bench w 120 x d 165,2 cms with bridge metal legs	18 mm	25	-	-	-	-	-	550,00	-
153 091 *	BENCH L.140 x p.165,2 CON GAMBE A PONTE bench w 140 x d 165,2 cms with bridge metal legs	18 mm	25	-	-	-	-	-	576,00	-
153 092 *	BENCH L.160 x p.165,2 CON GAMBE A PONTE bench w 160 x d 165,2 cms with bridge metal legs	18 mm	25	-	-	-	-	-	602,00	-
153 093 *	BENCH L.180 x p.165,2 CON GAMBE A PONTE bench w 180 x d 165,2 cms with bridge metal legs	18 mm	25	-	-	-	-	-	636,00	-
153 095 *	ALLUNGO L.80 x p.60 CON GAMBA A "LOOP" extension w 80 x d 60 cms with "loop" metal leg	18 mm	13	-	-	-	-	-	286,00	461,00
153 096 *	ALLUNGO L.100 x p.60 CON GAMBA A "LOOP" extension w 100 x d 60 cms with "loop" metal leg	18 mm	13	-	-	-	-	-	298,00	473,00
153 097 *	ALLUNGO L.120 x p.60 CON GAMBA A "LOOP" extension w 120 x d 60 cms with "loop" metal leg	18 mm	13	-	-	-	-	-	309,00	484,00
153 136 *	TAVOLO RIUNIONE L.240 x p.125,2 meeting table w 240 x d 125,2 cms	18 mm	86	-	-	-	-	-	850,00	-
153 137 *	TAVOLO RIUNIONE L.360 x p.125,2 meeting table w 360 x d 125,2 cms	18 mm	86	-	-	-	-	-	1.200,00	-
153 140 *	BENCH L.240 x p.165,2 CON GAMBE A PONTE bench w 240 x d 165,2 cms with bridge metal legs	18 mm	25	-	-	-	-	-	916,00	-

\* = INDICARE IL CODICE FINITURA  
= complete with finish code

CODICE code	DESCRIZIONE description	PAG. page	Cat. B	Cat. D	Cat. E	Cat. F	Cat. G	PR1	PR2 CHROMED	
			€	€	€	€	€	€	€	
153 141 *	BENCH L.280 x p.165,2 CON GAMBE A PONTE bench w 280 x d 165,2 cms with bridge metal legs	18 mm	25	-	-	-	-	-	968,00	-
153 142 *	BENCH L.320 x p.165,2 CON GAMBE A PONTE bench w 320 x d 165,2 cms with bridge metal legs	18 mm	25	-	-	-	-	-	1.020,00	-
153 143 *	BENCH L.360 x p.165,2 CON GAMBE A PONTE bench w 360 x d 165,2 cms with bridge metal legs	18 mm	25	-	-	-	-	-	1.088,00	-
153 150 *	BENCH L.360 x p.165,2 CON GAMBE A PONTE bench w 360 x d 165,2 cms with bridge metal legs	18 mm	25	-	-	-	-	-	1.282,00	-
153 151 *	BENCH L.420 x p.165,2 CON GAMBE A PONTE bench w 420 x d 165,2 cms with bridge metal legs	18 mm	25	-	-	-	-	-	1.360,00	-
153 152 *	BENCH L.480 x p.165,2 CON GAMBE A PONTE bench w 480 x d 165,2 cms with bridge metal legs	18 mm	25	-	-	-	-	-	1.438,00	-
153 153 *	BENCH L.540 x p.165,2 CON GAMBE A PONTE bench w 540 x d 165,2 cms with bridge metal legs	18 mm	25	-	-	-	-	-	1.540,00	-
153 169 *	SCRIVANIA TERMINALE PER BENCH PROF. CM 165,2 terminal desk for bench depth 165,2 cms	18 mm	25	-	-	-	-	-	372,00	-
153 180 *	TAVOLO RIUNIONE L.120 x p.125,2 meeting table w 120 x d 125,2 cms	18 mm	85	-	-	-	-	-	500,00	954,00
153 181 *	TAVOLO RIUNIONE L.320 x p.125,2 meeting table w 320 x d 125,2 cms	18 mm	86	-	-	-	-	-	950,00	-
153 182 *	TAVOLO RIUNIONE L.480 x p.125,2 meeting table w 480 x d 125,2 cms	18 mm	86	-	-	-	-	-	1.350,00	-
153 185 *	TAVOLO RIUNIONE L.160 x p.165,2 meeting table w 160 x d 165,2 cms	18 mm	87	-	-	-	-	-	625,00	-
153 186 *	TAVOLO RIUNIONE L.320 x p.165,2 meeting table w 320 x d 165,2 cms	18 mm	87	-	-	-	-	-	1.066,00	-
153 187 *	TAVOLO RIUNIONE L.480 x p.165,2 meeting table w 480 x d 165,2 cms	18 mm	87	-	-	-	-	-	1.507,00	-
153 190 *	SCRIVANIA L.120 x p.60 CON GAMBA A PONTE PER PORTA-CPU desk w 120 x d 60 cms with bridge metal leg for CPU-holder	18 mm	27	-	-	-	-	-	229,00	-
153 191 *	SCRIVANIA L.140 x p.60 CON GAMBA A PONTE PER PORTA-CPU desk w 140 x d 60 cms with bridge metal leg for CPU-holder	18 mm	27	-	-	-	-	-	242,00	-
153 192 *	SCRIVANIA L.160 x p.60 CON GAMBA A PONTE PER PORTA-CPU desk w 160 x d 60 cms with bridge metal leg for CPU-holder	18 mm	27	-	-	-	-	-	254,00	-
153 193 *	SCRIVANIA L.180 x p.60 CON GAMBA A PONTE PER PORTA-CPU desk w 180 x d 60 cms with bridge metal leg for CPU-holder	18 mm	27	-	-	-	-	-	266,00	-
153 194 *	TAVOLO RIUNIONE L.160 x p.125,2 meeting table w 160 x d 125,2 cms	18 mm	85	-	-	-	-	-	550,00	1.004,00
153 195 *	SCRIVANIA L.120 x p.80 CON GAMBA A PONTE PER PORTA-CPU desk w 120 x d 80 cms with bridge metal leg for CPU-holder	18 mm	27	-	-	-	-	-	250,00	-
153 196 *	SCRIVANIA L.140 x p.80 CON GAMBA A PONTE PER PORTA-CPU desk w 140 x d 80 cms with bridge metal leg for CPU-holder	18 mm	27	-	-	-	-	-	264,00	-
153 197 *	SCRIVANIA L.160 x p.80 CON GAMBA A PONTE PER PORTA-CPU desk w 160 x d 80 cms with bridge metal leg for CPU-holder	18 mm	27	-	-	-	-	-	276,00	-
153 198 *	SCRIVANIA L.180 x p.80 CON GAMBA A PONTE PER PORTA-CPU desk w 180 x d 80 cms with bridge metal leg for CPU-holder	18 mm	27	-	-	-	-	-	292,00	-
153 201 *	COPERTURA CENTRALE PER BENCH L.60 CON PARETINA central cover profile for bench w 60 cms with partition panels		33	-	-	-	-	-	35,00	-
153 202 *	COPERTURA CENTRALE PER BENCH L.70 CON PARETINA central cover profile for bench w 70 cms with partition panels		33	-	-	-	-	-	37,00	-
153 203 *	COPERTURA CENTRALE PER BENCH L.80 CON PARETINA central cover profile for bench w 80 cms with partition panels		33	-	-	-	-	-	39,00	-
153 204 *	COPERTURA CENTRALE PER BENCH L.90 CON PARETINA central cover profile for bench w 90 cms with partition panels		33	-	-	-	-	-	42,00	-
153 206 *	STAFFA PER COPERTURA CENTRALE DI BENCH stirrup for central cover profile for bench		33	-	-	-	-	-	15,00	-
153 212 *	BENCH L.140 x p.125,2 CON GAMBA A PONTE PER PORTA-CPU bench w 140 x d 125,2 cms with bridge metal leg for CPU-holder	18 mm	27	-	-	-	-	-	420,00	-
153 213 *	BENCH L.160 x p.125,2 CON GAMBA A PONTE PER PORTA-CPU bench w 160 x d 125,2 cms with bridge metal leg for CPU-holder	18 mm	27	-	-	-	-	-	444,00	-
153 214 *	BENCH L.180 x p.125,2 CON GAMBA A PONTE PER PORTA-CPU bench w 180 x d 125,2 cms with bridge metal leg for CPU-holder	18 mm	27	-	-	-	-	-	468,00	-
153 216 *	BENCH L.140 x p.165,2 CON GAMBA A PONTE PER PORTA-CPU bench w 140 x d 165,2 cms with bridge metal leg for CPU-holder	18 mm	27	-	-	-	-	-	468,00	-

5<sup>TH</sup> ELEMENT

\* = INDICARE IL CODICE FINITURA  
= complete with finish code

CODICE code	DESCRIZIONE description	PAG. page	Cat. B	Cat. D	Cat. E	Cat. F	Cat. G	PR1 €	PR2 CHROMED €	
			€	€	€	€	€			
153 217 *	BENCH L.160 x p.165,2 CON GAMBA A PONTE PER PORTA-CPU bench w 160 x d 165,2 cms with bridge metal leg for CPU-holder	18 mm	27	-	-	-	-	-	492,00	-
153 218 *	BENCH L.180 x p.165,2 CON GAMBA A PONTE PER PORTA-CPU bench w 180 x d 165,2 cms with bridge metal leg for CPU-holder	18 mm	27	-	-	-	-	-	524,00	-
153 220 *	COPERTURA CENTRALE PER BENCH L.120 central cover profile for bench w 120 cms		33	-	-	-	-	-	54,00	-
153 221 *	COPERTURA CENTRALE PER BENCH L.140 central cover profile for bench w 140 cms		33	-	-	-	-	-	57,00	-
153 222 *	COPERTURA CENTRALE PER BENCH L.160 central cover profile for bench w 160 cms		33	-	-	-	-	-	59,00	-
153 223 *	COPERTURA CENTRALE PER BENCH L.180 central cover profile for bench w 180 cms		33	-	-	-	-	-	61,00	-
153 234 *	COPERTURA CENTRALE PER BENCH L.100 CON PARETINA central cover profile for bench w 100 cms with partition panels		33	-	-	-	-	-	45,00	-
153 239 *	COPERTURA CENTRALE PER BENCH L.120 CON PARETINA central cover profile for bench w 120 cms with partition panels		33	-	-	-	-	-	48,00	-
153 240 *	VASCHETTA CENTRALE PASSACAVI L.90 PER BENCH central cable tray w 90 cms for bench		48	-	-	-	-	-	42,00	-
153 241 *	VASCHETTA CENTRALE PASSACAVI L.90 PER TAVOLI RIUNIONE central cable tray w 90 cms for meeting tables		89	-	-	-	-	-	54,00	-
153 242 *	VASCHETTA CENTRALE PASSACAVI L.121 PER BENCH central cable tray w 121 cms for bench		48	-	-	-	-	-	51,00	-
153 243 *	VASCHETTA CENTRALE PASSACAVI L.121 PER TAVOLI RIUNIONE central cable tray w 121 cms for meeting tables		89	-	-	-	-	-	61,00	-
153 245 *	PANNELLO LATERALE L.50 side panel w 50 cms	MELAMINICO melamine	34	-	-	-	-	-	48,00	-
153 246 *	PANNELLO LATERALE L.70 side panel w 70 cms	MELAMINICO melamine	34	-	-	-	-	-	54,00	-
153 247 *	PANNELLO LATERALE L.80 side panel w 80 cms	MELAMINICO melamine	34	-	-	-	-	-	59,00	-
153 248 *	PANNELLO LATERALE L.50 side panel w 50 cms	TESSUTO fabric	34	123,00	128,00	137,00	141,00	147,00	-	-
153 249 *	PANNELLO LATERALE L.70 side panel w 70 cms	TESSUTO fabric	34	134,00	141,00	153,00	157,00	166,00	-	-
153 250 *	PANNELLO LATERALE L.80 side panel w 80 cms	TESSUTO fabric	34	147,00	154,00	167,00	172,00	181,00	-	-
153 251 *	PANNELLO LATERALE L.50 side panel w 50 cms	METACRILATO methacrylate	34	-	-	-	-	-	105,00	-
153 252 *	PANNELLO LATERALE L.70 side panel w 70 cms	METACRILATO methacrylate	34	-	-	-	-	-	118,00	-
153 253 *	PANNELLO LATERALE L.80 side panel w 80 cms	METACRILATO methacrylate	34	-	-	-	-	-	128,00	-
153 254 *	STAFFA PER POSIZIONAMENTO PANNELLO IN POSIZIONE CENTRALE stirrup for central position of panel		34	-	-	-	-	-	36,00	-
153 264 *	PORTA-CPU SOSPESO suspended CPU-holder		34	-	-	-	-	-	124,00	-
153 267 *	TAVOLO TEAM L.160 X P.80 X H.105 team table w 160 x d 80 x h 105	18 mm	84	-	-	-	-	-	654,00	-
153 268 *	TAVOLO TEAM L.180 X P.80 X H.105 team table w 180 x d 80 x h 105	18 mm	84	-	-	-	-	-	685,00	-
153 304 *	PANNELLO FRONTALE CON BARRA ATTREZZ. + COPERT.CENTR. PER BENCH L.120 x H.46,7 front panel with toolbar + central cover profile for bench w 120 x h 46,7 cms	TESSUTO fabric	37	258,00	263,00	272,00	276,00	282,00	-	-
153 305 *	PANNELLO FRONTALE CON BARRA ATTREZZ. + COPERT.CENTR. PER BENCH L.140 x H.46,7 front panel with toolbar + central cover profile for bench w 140 x h 46,7 cms	TESSUTO fabric	37	276,00	281,00	290,00	294,00	300,00	-	-
153 306 *	PANNELLO FRONTALE CON BARRA ATTREZZ. + COPERT.CENTR. PER BENCH L.160 x H.46,7 front panel with toolbar + central cover profile for bench w 160 x h 46,7 cms	TESSUTO fabric	37	307,00	314,00	326,00	330,00	339,00	-	-
153 307 *	PANNELLO FRONTALE CON BARRA ATTREZZ. + COPERT.CENTR. PER BENCH L.180 x H.46,7 front panel with toolbar + central cover profile for bench w 180 x h 46,7 cms	TESSUTO fabric	37	351,00	358,00	371,00	376,00	385,00	-	-
153 360 *	PANNELLO FRONTALE CON BARRA ATTREZZ. + COPERT.CENTR. PER BENCH L.120 x H.38,2 front panel with toolbar + central cover profile for bench w 120 x h 38,2 cms	TESSUTO fabric	37	244,00	248,00	256,00	259,00	264,00	-	-
153 361 *	PANNELLO FRONTALE CON BARRA ATTREZZ. + COPERT.CENTR. PER BENCH L.140 x H.38,2 front panel with toolbar + central cover profile for bench w 140 x h 38,2 cms	TESSUTO fabric	37	266,00	270,00	278,00	281,00	286,00	-	-
153 362 *	PANNELLO FRONTALE CON BARRA ATTREZZ. + COPERT.CENTR. PER BENCH L.160 x H.38,2 front panel with toolbar + central cover profile for bench w 160 x h 38,2 cms	TESSUTO fabric	37	305,00	312,00	324,00	328,00	337,00	-	-

\* = INDICARE IL CODICE FINITURA  
= complete with finish code

CODICE code	DESCRIZIONE description	PAG. page	Cat. B €	Cat. D €	Cat. E €	Cat. F €	Cat. G €	PR1 €	PR2 CHROMED €
153 363 *	PANNELLO FRONTALE CON BARRA ATTREZZ. + COPERT. CENTR. PER BENCH L.180 x H.38,2 front panel with toolbar + central cover profile for bench w 180 x h 38,2 cms	37	338,00	345,00	358,00	363,00	372,00	-	-
153 400 *	BARRA ATTREZZABILE FRONTALE E COPERTURA CENTRALE PER BENCH L.120 front toolbar and central cover for bench w 120 cms	35	-	-	-	-	-	130,00	-
153 401 *	BARRA ATTREZZABILE FRONTALE E COPERTURA CENTRALE PER BENCH L.140 front toolbar and central cover for bench w 140 cms	35	-	-	-	-	-	147,00	-
153 402 *	BARRA ATTREZZABILE FRONTALE E COPERTURA CENTRALE PER BENCH L.160 front toolbar and central cover for bench w 160 cms	35	-	-	-	-	-	160,00	-
153 403 *	BARRA ATTREZZABILE FRONTALE E COPERTURA CENTRALE PER BENCH L.180 front toolbar and central cover for bench w 180 cms	35	-	-	-	-	-	175,00	-
153 407 *	SCHERMO FRONTALE IN METACRILATO BIANCO L.60 x H.38,2 white methacrylate front screen w 60 x h 38,2	35	-	-	-	-	-	40,00	-
153 408 *	SCHERMO FRONTALE IN METACRILATO BIANCO L.80 x H.38,2 white methacrylate front screen w 80 x h 38,2	35	-	-	-	-	-	53,00	-
153 409 *	SCHERMO FRONTALE IN METACRILATO BIANCO L.100 x H.38,2 white methacrylate front screen w 100 x h 38,2	35	-	-	-	-	-	72,00	-
153 410 *	SCHERMO FRONTALE IN METACRILATO BIANCO L.120 x H.38,2 white methacrylate front screen w 120 x h 38,2	35	-	-	-	-	-	85,00	-
153 411 *	SCHERMO FRONTALE IN METACRILATO BIANCO L.140 x H.38,2 white methacrylate front screen w 140 x h 38,2	35	-	-	-	-	-	99,00	-
153 412 *	SCHERMO FRONTALE IN METACRILATO BIANCO L.160 x H.38,2 white methacrylate front screen w 160 x h 38,2	35	-	-	-	-	-	114,00	-
153 413 *	SCHERMO FRONTALE IN METACRILATO BIANCO L.180 x H.38,2 white methacrylate front screen w 180 x h 38,2	35	-	-	-	-	-	137,00	-
153 430 *	BARRA ATTREZZABILE LATERALE L.125,2 lateral toolbar w 125,2 cms	36	-	-	-	-	-	91,00	-
153 431 *	BARRA ATTREZZABILE LATERALE L.165,2 lateral toolbar w 165,2 cms	36	-	-	-	-	-	119,00	-
153 433 *	BARRA ATTREZZABILE LATERALE L.140 lateral toolbar w 140 cms	36	-	-	-	-	-	102,00	-
153 434 *	BARRA ATTREZZABILE LATERALE L.200 lateral toolbar w 200 cms	36	-	-	-	-	-	133,00	-
153 435 *	BARRA ATTREZZABILE LATERALE L.280 lateral toolbar w 280 cms	36	-	-	-	-	-	191,00	-
153 436 *	BARRA ATTREZZABILE LATERALE L.340 lateral toolbar w 340 cms	36	-	-	-	-	-	223,00	-
153 450 *	MENSOLA CENTRALE central shelf	35	-	-	-	-	-	46,00	-
153 451 *	PORTA-DOX CENTRALE central dox-holder	12	-	-	-	-	-	102,00	-
153 461 *	SCHIENA PER SCRIVANIA DIREZIONALE L.160 (CON 2 GAMBE METALLICHE) modesty panel for executive desk w 160 cms (with 2 metal legs)	18 mm	12	-	-	-	-	40,00	-
153 463 *	SCHIENA PER SCRIVANIA DIREZIONALE L.180 (CON 2 GAMBE METALLICHE) modesty panel for executive desk w 180 cms (with 2 metal legs)	18 mm	12	-	-	-	-	43,00	-
153 464 *	SCHIENA PER SCRIVANIA DIREZIONALE L.180 (CON 1 GAMBA METALLICA+1 MOBILE BASE) modesty panel for executive desk w 180 cms (with 1 metal leg+1 undertop cabinet)	18 mm	12	-	-	-	-	40,00	-
153 466 *	SCHIENA PER SCRIVANIA DIREZIONALE L.200 (CON 2 GAMBE METALLICHE) modesty panel for executive desk w 200 cms (with 2 metal legs)	18 mm	12	-	-	-	-	54,00	-
153 467 *	SCHIENA PER SCRIVANIA DIREZIONALE L.220 (CON 2 GAMBE METALLICHE) modesty panel for executive desk w 220 cms (with 2 metal legs)	18 mm	12	-	-	-	-	59,00	-
153 468 *	SCHIENA PER SCRIVANIA DIREZIONALE L.200 (CON 1 GAMBA METALLICA+1 MOBILE BASE) modesty panel for executive desk w 200 cms (with 1 metal leg+1 undertop cabinet)	18 mm	12	-	-	-	-	51,00	-
153 500 *	PANNELLO FRONTALE+COPERTURA CENTRALE PER BENCH L.120 front panel + central cover profile for bench w 120 cms	MELAMINICO melamine	33	-	-	-	-	105,00	-
153 501 *	PANNELLO FRONTALE+COPERTURA CENTRALE PER BENCH L.140 front panel + central cover profile for bench w 140 cms	MELAMINICO melamine	33	-	-	-	-	116,00	-
153 502 *	PANNELLO FRONTALE+COPERTURA CENTRALE PER BENCH L.160 front panel + central cover profile for bench w 160 cms	MELAMINICO melamine	33	-	-	-	-	127,00	-
153 503 *	PANNELLO FRONTALE+COPERTURA CENTRALE PER BENCH L.180 front panel + central cover profile for bench w 180 cms	MELAMINICO melamine	33	-	-	-	-	140,00	-
153 505 *	PANNELLO FRONTALE+COPERTURA CENTRALE PER BENCH L.120 front panel + central cover profile for bench w 120 cms	TESSUTO fabric	33	205,00	210,00	219,00	223,00	229,00	-
153 506 *	PANNELLO FRONTALE+COPERTURA CENTRALE PER BENCH L.140 front panel + central cover profile for bench w 140 cms	TESSUTO fabric	33	217,00	222,00	232,00	236,00	242,00	-

5<sup>TH</sup> ELEMENT

\* = INDICARE IL CODICE FINITURA  
= complete with finish code

CODICE code	DESCRIZIONE description	PAG. page	Cat. B	Cat. D	Cat. E	Cat. F	Cat. G	PR1	PR2 CHROMED
			€	€	€	€	€	€	€
153 507 *	PANNELLO FRONTALE+COBERTURA CENTRALE PER BENCH L.160 front panel + central cover profile for bench w 160 cms	33	241,00	248,00	260,00	264,00	273,00	-	-
153 508 *	PANNELLO FRONTALE+COBERTURA CENTRALE PER BENCH L.180 front panel + central cover profile for bench w 180 cms	33	262,00	269,00	282,00	287,00	296,00	-	-
153 510 *	PANNELLO FRONTALE+COBERTURA CENTRALE PER BENCH L.120 front panel + central cover profile for bench w 120 cms	33	-	-	-	-	-	155,00	-
153 511 *	PANNELLO FRONTALE+COBERTURA CENTRALE PER BENCH L.140 front panel + central cover profile for bench w 140 cms	33	-	-	-	-	-	168,00	-
153 512 *	PANNELLO FRONTALE+COBERTURA CENTRALE PER BENCH L.160 front panel + central cover profile for bench w 160 cms	33	-	-	-	-	-	183,00	-
153 513 *	PANNELLO FRONTALE+COBERTURA CENTRALE PER BENCH L.180 front panel + central cover profile for bench w 180 cms	33	-	-	-	-	-	222,00	-
153 536 *	PIANO TAVOLO RIUNIONE L.120 x p.125,2 meeting tabletop w 120 x d 125,2 cms	89	-	-	-	-	-	83,00	-
153 539 *	PIANO TAVOLO RIUNIONE L.160 x p.125,2 meeting tabletop w 160 x d 125,2 cms	89	-	-	-	-	-	107,00	-
153 543 *	PIANO TAVOLO RIUNIONE L.160 x p.165,2 meeting tabletop w 160 x d 165,2 cms	89	-	-	-	-	-	137,00	-
153 639 *	TOP PER MOBILE SOTTOPIANO L.80 x p.46,2 top for undertop cabinet w 80 x d 46,2 cms	73	-	-	-	-	-	28,00	-
153 659 *	STAFFA SUPPLEMENTARE DI RINFORZO PER ALLUNGH additional undertop stirrup for extensions	59	-	-	-	-	-	23,00	-
153 700 *	GAMBA A PONTE TERMINALE PROF. CM 60 terminal bridge leg depth 60 cms	44	-	-	-	-	-	96,00	-
153 701 *	GAMBA A PONTE TERMINALE PROF. CM 80 terminal bridge leg depth 80 cms	44	-	-	-	-	-	106,00	-
153 702 *	GAMBA A PONTE TERMINALE PROF. CM 125 terminal bridge leg depth 125 cms	44-88	-	-	-	-	-	128,00	-
153 703 *	GAMBA A PONTE TERMINALE PROF. CM 165 terminal bridge leg depth 165 cms	44-88	-	-	-	-	-	152,00	-
153 707 *	GAMBA A PONTE CENTRALE PROF. CM 80 central bridge leg depth 80 cms	44	-	-	-	-	-	77,00	-
153 708 *	GAMBA A PONTE CENTRALE PROF. CM 125 central bridge leg depth 125 cms	44-88	-	-	-	-	-	106,00	-
153 709 *	GAMBA A PONTE CENTRALE PROF. CM 165 central bridge leg depth 165 cms	44-88	-	-	-	-	-	120,00	-
153 718 *	KIT 2 STAFFE PER ATTACCO TRAVI A PARETINA set of stirrups for connection with partition panels	51	-	-	-	-	-	30,00	-
153 719 *	KIT 2 TRAVERSI PER VASCHETTA CENTRALE PASSACAVI BENCH set of 2 metal crossbars for central cable-tray bench	48	-	-	-	-	-	24,00	-
153 720 *	COPPIA DI TRAVI L.100 set of 2 beams w 100 cms	47	-	-	-	-	-	61,00	-
153 721 *	COPPIA DI TRAVI L.120 set of 2 beams w 120 cms	47-88	-	-	-	-	-	68,00	-
153 722 *	COPPIA DI TRAVI L.140 set of 2 beams w 140 cms	47	-	-	-	-	-	74,00	-
153 723 *	COPPIA DI TRAVI L.160 set of 2 beams w 160 cms	47-88	-	-	-	-	-	81,00	-
153 724 *	COPPIA DI TRAVI L.180 set of 2 beams w 180 cms	47	-	-	-	-	-	89,00	-
153 725 *	KIT 2 STAFFE PER ATTACCO TRAVI SU PORTA-CPU kit 2 stirrups for fixing beams with CPU-holder	51	-	-	-	-	-	28,00	-
153 726 *	KIT 2 STAFFE PER VASCHETTA CENTRALE PASSACAVI BENCH set of 2 stirrups for central cable-tray bench	48	-	-	-	-	-	15,00	-
153 728 *	KIT 2 STAFFE PER ATTACCO TRAVI SU CASSETTIERE LATERALI O MOBILI LATERALI kit 2 stirrups for fixing beams with lateral pedestals or lateral cabinets	51	-	-	-	-	-	32,00	-
153 734 *	COPPIA DI TRAVI PER SCRIVANIA TERMINALE CON GAMBE A PONTE L.165,2 set of 2 beams for terminal desk with bridge legs w 165,2 cms	47	-	-	-	-	-	88,00	-
153 737 *	KIT WIRE-MANAGER PROF. CM 80 wire manager kit depth 80 cms	35	-	-	-	-	-	98,00	-
153 738 *	KIT WIRE-MANAGER PROF. CM 125,2 wire manager kit depth 125,2 cms	44-88	-	-	-	-	-	117,00	-
153 739 *	KIT WIRE-MANAGER PROF. CM 165,2 wire manager kit depth 165,2 cms	44-88	-	-	-	-	-	119,00	-



\* = INDICARE IL CODICE FINITURA  
= complete with finish code

CODICE code	DESCRIZIONE description	PAG. page	Cat. B	Cat. D	Cat. E	Cat. F	Cat. G	PR1 €	PR2 CHROMED €
			€	€	€	€	€		
153 740 *	GAMBA TERMINALE CON ALTEZZA REGOLABILE PER SCRIVANIA O BENCH SINGOLI PROF. CM 60 terminal leg with adjustable height for single desk or single bench depth 60 cms	44	-	-	-	-	-	166,00	-
153 741 *	GAMBA TERMINALE CON ALTEZZA REGOLABILE PER SCRIVANIA O BENCH SINGOLI PROF. CM 80 terminal leg with adjustable height for single desk or single bench depth 80 cms	44	-	-	-	-	-	177,00	-
153 743 *	GAMBA TERMINALE CON ALTEZZA REGOLABILE PER SCRIVANIA O BENCH SINGOLI PROF. CM 125 terminal leg with adjustable height for single desk or single bench depth 125 cms	44	-	-	-	-	-	213,00	-
153 744 *	GAMBA TERMINALE CON ALTEZZA REGOLABILE PER SCRIVANIA O BENCH SINGOLI PROF. CM 165 terminal leg with adjustable height for single desk or single bench depth 165 cms	44	-	-	-	-	-	239,00	-
153 748 *	KIT 2 STAFFE PER 1 PIANO SCORREVOLE PROF. CM 60 kit 2 stirrups for 1 sliding desktop depth 60 cms	51	-	-	-	-	-	55,00	-
153 749 *	KIT 2 STAFFE PER 1 PIANO SCORREVOLE PROF. CM 80-90 kit 2 stirrups for 1 sliding desktop depth 80-90 cms	51	-	-	-	-	-	68,00	-
153 750 *	MENSOLA PORTA-DOCUMENTI file-holder shelf	38	-	-	-	-	-	46,00	-
153 751 *	BRACCIO GIREVOLE PORTA-VIDEO rotating video stand arm	38	-	-	-	-	-	188,00	-
153 753 *	LAMPADA A LED led lamp	38-80	-	-	-	-	-	387,00	-
153 755 *	SUPPORTO PER LAMPADA O PER BRACCIO GIREVOLE SU BARRA ATTREZZABILE support for lamps or rotating video stand arm on toolbar	38	-	-	-	-	-	22,00	-
153 756 *	SUPPORTO PER LAMPADA SU BARRA ATTREZZABILE support for lamps on toolbar	38	-	-	-	-	-	32,00	-
153 760 *	1 BENCH PIANI SCORREVOLI L.120 x p.125,2 CON GAMBE A PONTE 1 bench sliding worktops w 120 x d 125,2 cms with bridge metal legs	26	-	-	-	-	-	590,00	-
153 761 *	1 BENCH PIANI SCORREVOLI L.140 x p.125,2 CON GAMBE A PONTE 1 bench sliding worktops w 140 x d 125,2 cms with bridge metal legs	26	-	-	-	-	-	614,00	-
153 762 *	1 BENCH PIANI SCORREVOLI L.160 x p.125,2 CON GAMBE A PONTE 1 bench sliding worktops w 160 x d 125,2 cms with bridge metal legs	26	-	-	-	-	-	640,00	-
153 763 *	1 BENCH PIANI SCORREVOLI L.180 x p.125,2 CON GAMBE A PONTE 1 bench sliding worktops w 180 x d 125,2 cms with bridge metal legs	26	-	-	-	-	-	666,00	-
153 765 *	BENCH PIANI SCORREVOLI L.240 x p.125,2 CON GAMBE A PONTE bench sliding worktops w 240 x d 125,2 cms with bridge metal legs	26	-	-	-	-	-	1.030,00	-
153 766 *	BENCH PIANI SCORREVOLI L.280 x p.125,2 CON GAMBE A PONTE bench sliding worktops w 280 x d 125,2 cms with bridge metal legs	26	-	-	-	-	-	1.078,00	-
153 767 *	BENCH PIANI SCORREVOLI L.320 x p.125,2 CON GAMBE A PONTE bench sliding worktops w 320 x d 125,2 cms with bridge metal legs	26	-	-	-	-	-	1.130,00	-
153 768 *	BENCH PIANI SCORREVOLI L.360 x p.125,2 CON GAMBE A PONTE bench sliding worktops w 360 x d 125,2 cms with bridge metal legs	26	-	-	-	-	-	1.182,00	-
153 774 *	BENCH PIANI SCORREVOLI L.120 x p.165,2 CON GAMBE A PONTE bench sliding worktops w 120 x d 165,2 cms with bridge metal legs	26	-	-	-	-	-	686,00	-
153 775 *	BENCH PIANI SCORREVOLI L.140 x p.165,2 CON GAMBE A PONTE bench sliding worktops w 140 x d 165,2 cms with bridge metal legs	26	-	-	-	-	-	712,00	-
153 776 *	BENCH PIANI SCORREVOLI L.160 x p.165,2 CON GAMBE A PONTE bench sliding worktops w 160 x d 165,2 cms with bridge metal legs	26	-	-	-	-	-	738,00	-
153 777 *	BENCH PIANI SCORREVOLI L.180 x p.165,2 CON GAMBE A PONTE bench sliding worktops w 180 x d 165,2 cms with bridge metal legs	26	-	-	-	-	-	772,00	-
153 778 *	BENCH PIANI SCORREVOLI L.240 x p.165,2 CON GAMBE A PONTE bench sliding worktops w 240 x d 165,2 cms with bridge metal legs	26	-	-	-	-	-	1.188,00	-
153 779 *	BENCH PIANI SCORREVOLI L.280 x p.165,2 CON GAMBE A PONTE bench sliding worktops w 280 x d 165,2 cms with bridge metal legs	26	-	-	-	-	-	1.240,00	-
153 780 *	BENCH PIANI SCORREVOLI L.320 x p.165,2 CON GAMBE A PONTE bench sliding worktops w 320 x d 165,2 cms with bridge metal legs	26	-	-	-	-	-	1.292,00	-
153 781 *	BENCH PIANI SCORREVOLI L.360 x p.165,2 CON GAMBE A PONTE bench sliding worktops w 360 x d 165,2 cms with bridge metal legs	26	-	-	-	-	-	1.360,00	-
153 801 *	GAMBA A PONTE TERMINALE DX PROF. CM 60 (APPOGGIARE SU MOBILE DI SERVIZIO O PORTA-CPU) right terminal bridge leg depth 60 cms (put on service unit or pc-holder)	45	-	-	-	-	-	95,00	-
153 802 *	GAMBA A PONTE TERMINALE SX PROF. CM 60 (APPOGGIARE SU MOBILE DI SERVIZIO O PORTA-CPU) left terminal bridge leg depth 60 cms (put on service unit or pc-holder)	45	-	-	-	-	-	95,00	-
153 803 *	GAMBA A PONTE TERMINALE DX PROF. CM 80 (APPOGGIARE SU MOBILE DI SERVIZIO O PORTA-CPU) right terminal bridge leg depth 80 cms (put on service unit or pc-holder)	45	-	-	-	-	-	105,00	-
153 804 *	GAMBA A PONTE TERMINALE SX PROF. CM 80 (APPOGGIARE SU MOBILE DI SERVIZIO O PORTA-CPU) left terminal bridge leg depth 80 cms (put on service unit or pc-holder)	45	-	-	-	-	-	105,00	-
153 805 *	GAMBA A PONTE TERMINALE PROF. CM 125 (APPOGGIARE SU MOBILE DI SERVIZIO O PORTA-CPU) terminal bridge leg depth 125 cms (put on service unit or pc-holder)	45	-	-	-	-	-	126,00	-

5<sup>th</sup> ELEMENT

\* = INDICARE IL CODICE FINITURA  
= complete with finish code

CODICE code	DESCRIZIONE description	PAG. page	Cat. B	Cat. D	Cat. E	Cat. F	Cat. G	PR1 €	PR2 CHROMED €
			CREPE	STRETCH MELANGE TREVİ	LANA	TAYLOR	GO CHECK RUNNER		
153 806 *	GAMBA A PONTE TERMINALE PROF. CM 165 (APPOGGIARE SU MOBILE DI SERVIZIO O PORTA-CPU) terminal bridge leg depth 165 cms (put on service unit or pc-holder)	45	-	-	-	-	-	150,00	-
153 807 *	GAMBA A PONTE TERMINALE PROF. CM 80 (APPOGGIARE SU MOBILE DI SERVIZIO O PORTA-CPU) terminal bridge leg depth 80 cms (put on service unit or pc-holder)	45	-	-	-	-	-	90,00	-
153 810 *	PIANO SCRIVANIA L.120 x p.60 desktop w 120 x d 60 cms	41	18 mm	-	-	-	-	44,00	-
153 811 *	PIANO SCRIVANIA L.140 x p.60 desktop w 140 x d 60 cms	41	18 mm	-	-	-	-	50,00	-
153 812 *	PIANO SCRIVANIA L.160 x p.60 desktop w 160 x d 60 cms	41	18 mm	-	-	-	-	56,00	-
153 813 *	PIANO SCRIVANIA L.180 x p.60 desktop w 180 x d 60 cms	41	18 mm	-	-	-	-	61,00	-
153 815 *	PIANO SCRIVANIA L.120 x p.80 desktop w 120 x d 80 cms	41	18 mm	-	-	-	-	55,00	-
153 816 *	PIANO SCRIVANIA L.140 x p.80 desktop w 140 x d 80 cms	41	18 mm	-	-	-	-	62,00	-
153 817 *	PIANO SCRIVANIA L.160 x p.80 desktop w 160 x d 80 cms	41	18 mm	-	-	-	-	68,00	-
153 818 *	PIANO SCRIVANIA L.180 x p.80 desktop w 180 x d 80 cms	41	18 mm	-	-	-	-	77,00	-
153 825 *	PIANO TAVOLO RIUNIONE L.160 x p.125,2 meeting tabletop w 160 x d 125,2 cms	89	18 mm	CON TOP ACCESS with top access	-	-	-	132,00	-
153 826 *	PIANO TAVOLO RIUNIONE L.120 x p.125,2 meeting tabletop w 120 x d 125,2 cms	89	18 mm	CON TOP ACCESS with top access	-	-	-	108,00	-
153 827 *	PIANO TAVOLO RIUNIONE L.160 x p.165,2 meeting table top w 160 x d 165,2 cms	89	18 mm	CON TOP ACCESS with top access	-	-	-	159,00	-
153 829	PIANO TERMINALE PER BENCH PROF. CM 165,2 terminal desktop for bench depth 165,2 cms	41	18 mm	-	-	-	-	72,00	-
153 871 *	TOP PER CASSETTIERA O STORAGE PROF. CM 60 top for pedestal o storage depth 60 cms	77	18 mm	-	-	-	-	18,00	-
153 872 *	TOP PER CASSETTIERA O STORAGE PROF. CM 80 top for pedestal or storage depth 80 cms	77-79	18 mm	-	-	-	-	23,00	-
153 874	TOP PER 2 CASSETTIERE LATERALI O STORAGE L.42 x p.165,2 top for 2 lateral pedestals or storage w 42 x d 165,2 cms	77-79	18 mm	-	-	-	-	41,00	-
153 876 *	TOP PER 2 MOBILI LATERALI L.46 x p.165,2 top for 2 lateral cabinets w 46 x d 165,2 cms	73	18 mm	-	-	-	-	45,00	-
153 890 *	SCRIVANIA DIREZIONALE L.160 CON GAMBE A PONTE executive desk w 160 cms with bridge legs	12	18 mm	-	-	-	-	388,00	712,00
153 892 *	SCRIVANIA DIREZIONALE L.160 CON GAMBE A "LOOP" executive desk w 160 cms with "loop" legs	12	18 mm	-	-	-	-	480,00	844,00
153 903 *	SCRIVANIA DIREZIONALE L.180 CON GAMBE A PONTE executive desk w 180 cms with bridge legs	12	18 mm	-	-	-	-	404,00	728,00
153 904 *	SCRIVANIA DIREZIONALE L.200 CON GAMBE A PONTE executive desk w 200 cms with bridge legs	12	18 mm	-	-	-	-	424,00	748,00
153 905 *	SCRIVANIA DIREZIONALE L.220 CON GAMBE A PONTE executive desk w 220 cms with bridge legs	12	18 mm	-	-	-	-	442,00	766,00
153 906 *	SCRIVANIA DIREZIONALE L.200 CON GAMBA A PONTE E MOBILE-BASE (DX O SX) executive desk w 200 cms with bridge leg and undertop cabinet (right or left)	12	18 mm	-	-	-	-	442,00	604,00
153 908 *	SCRIVANIA DIREZIONALE L.180 CON GAMBA A PONTE E MOBILE-BASE (DX O SX) executive desk w 180 cms with bridge leg and undertop cabinet (right or left)	12	18 mm	-	-	-	-	426,00	588,00
153 909 *	SCRIVANIA DIREZIONALE L.180 CON GAMBE A "LOOP" executive desk w 180 cms with "loop" legs	12	18 mm	-	-	-	-	496,00	860,00
153 910 *	SCRIVANIA DIREZIONALE L.180 CON GAMBA A "LOOP" E MOBILE-BASE (DX O SX) executive desk w 180 cms with "loop" leg and undertop cabinet (right or left)	12	18 mm	-	-	-	-	472,00	654,00
153 911 *	SCRIVANIA DIREZIONALE L.200 CON GAMBE A "LOOP" executive desk w 200 cms with "loop" legs	12	18 mm	-	-	-	-	516,00	880,00
153 912 *	SCRIVANIA DIREZIONALE L.220 CON GAMBE A "LOOP" executive desk w 220 cms with "loop" legs	12	18 mm	-	-	-	-	534,00	898,00
153 913 *	SCRIVANIA DIREZIONALE L.200 CON GAMBA A "LOOP" E MOBILE-BASE (DX O SX) executive desk w 200 cms with "loop" leg and undertop cabinet (right or left)	12	18 mm	-	-	-	-	488,00	670,00
153 916 *	SCRIVANIA DIREZIONALE VETRO L.180 CON GAMBE A PONTE executive glass desk w 180 cms with bridge legs	14	10 mm	-	-	-	-	830,00	-
153 917 *	SCHIENA PER SCRIVANIA DIREZIONALE VETRO L.180 modesty panel for executive glass desk w 180 cms	16	18 mm	-	-	-	-	34,00	-

\* = INDICARE IL CODICE FINITURA  
= complete with finish code

CODICE code	DESCRIZIONE description	PAG. page	Cat. B	Cat. D	Cat. E	Cat. F	Cat. G	PR1	PR2 CHROMED	
			€	€	€	€	€	€	€	
			CREPE	STRETCH MELANGE TREVİ	LANA	TAYLOR	GO CHECK RUNNER			
153 919 *	SCHIENA PER SCRIVANIA DIREZIONALE VETRO L.200 modesty panel for executive glass desk w 200 cms	18 mm	16	-	-	-	-	-	35,00	-
153 920 *	SCRIVANIA DIREZIONALE VETRO L.200 CON GAMBE A PONTE executive glass desk w 200 cms with bridge legs	10 mm	14	-	-	-	-	-	857,00	-
153 921 *	SCRIVANIA DIREZIONALE VETRO L.180 CON GAMBE A "LOOP" executive glass desk w 180 cms with "loop" legs	10 mm	14	-	-	-	-	-	922,00	-
153 922 *	SCRIVANIA DIREZIONALE VETRO L.200 CON GAMBE A "LOOP" executive glass desk w 200 cms with "loop" legs	10 mm	14	-	-	-	-	-	949,00	-
153 924 *	ALLUNGO VETRO L.100 CON GAMBA A PONTE glass extension w 100 cms with bridge leg	10 mm	15	-	-	-	-	-	381,00	-
153 925 *	ALLUNGO VETRO L.100 CON GAMBA A "LOOP" glass extension w 100 cms with "loop" leg	10 mm	15	-	-	-	-	-	431,00	-
153 931 *	SCRIVANIA DIREZIONALE VETRO L.180 CON GAMBE A PONTE executive glass desk w 180 cms with bridge legs	10 mm	14	-	-	-	-	-	-	1.154,00
153 932 *	SCRIVANIA DIREZIONALE VETRO L.200 CON GAMBE A PONTE executive glass desk w 200 cms with bridge legs	10 mm	14	-	-	-	-	-	-	1.181,00
153 934 *	SCRIVANIA DIREZIONALE VETRO L.180 CON GAMBE A "LOOP" executive glass desk w 180 cms with "loop" legs	10 mm	14	-	-	-	-	-	-	1.286,00
153 935 *	SCRIVANIA DIREZIONALE VETRO L.200 CON GAMBE A "LOOP" executive glass desk w 200 cms with "loop" legs	10 mm	14	-	-	-	-	-	-	1.313,00
153 937 *	ALLUNGO VETRO L.100 CON GAMBA A PONTE glass extension w 100 cms with bridge leg	10 mm	15	-	-	-	-	-	-	516,00
153 939 *	ALLUNGO VETRO L.100 CON GAMBA A "LOOP" glass extension w 100 cms with "loop" leg	10 mm	15	-	-	-	-	-	-	606,00
173 050 *	CAVALLETTO PROF. CM 80 gantry depth 80 cms		46	-	-	-	-	-	106,00	-
173 051 *	CAVALLETTO PROF. CM 125,2 gantry depth 125,2 cms		46	-	-	-	-	-	128,00	-
173 052 *	CAVALLETTO PROF. CM 165,2 gantry depth 165,2 cms		46	-	-	-	-	-	155,00	-
173 053 *	CAVALLETTO DX PROF. CM 80 DA APPOGGIO right short gantry depth 80 cms		46	-	-	-	-	-	93,00	-
173 054 *	CAVALLETTO SX PROF. CM 80 DA APPOGGIO left short gantry depth 80 cms		46	-	-	-	-	-	93,00	-
173 055 *	CAVALLETTO PROF. CM 125,2 DA APPOGGIO short gantry depth 125,2 cms		46	-	-	-	-	-	94,00	-
173 056 *	CAVALLETTO PROF. CM 165,2 DA APPOGGIO short gantry depth 165,2 cms		46	-	-	-	-	-	105,00	-
173 057 *	CAVALLETTO PROF. CM 80 DA APPOGGIO short gantry depth 80 cms		46	-	-	-	-	-	73,00	-
173 058 *	TOP-ACCESS		42	-	-	-	-	-	45,00	-
173 060 *	BARRA CENTRALE L.120 central bar w 120 cms		39	-	-	-	-	-	124,00	-
173 061 *	BARRA CENTRALE L.140 central bar w 140 cms		39	-	-	-	-	-	133,00	-
173 062 *	BARRA CENTRALE L.160 central bar w 160 cms		39	-	-	-	-	-	143,00	-
173 063 *	BARRA CENTRALE L.180 central bar w 180 cms		39	-	-	-	-	-	152,00	-
173 065 *	1 SUPPORTO PER LAMPADA O PORTA-MONITOR 1 support for lamp or video-stand		39	-	-	-	-	-	29,00	-
173 067 *	CANALE PORTACAVI L.98 cable tray w 98 cms		42	-	-	-	-	-	31,00	-
173 068 *	CANALE PORTACAVI L.118 cable tray w 118 cms		42	-	-	-	-	-	36,00	-
173 069 *	CANALE PORTACAVI L.138 cable tray w 138 cms		42	-	-	-	-	-	40,00	-
173 070 *	CANALE PORTACAVI L.158 cable tray w 158 cms		42	-	-	-	-	-	44,00	-
173 071 *	PANNELLO FONO-ASSORBENTE L.80 sound-proofing panel w 80 cms	TESSUTO fabric	40	160,00	174,00	179,00	184,00	193,00	-	-

5<sup>TH</sup> ELEMENT

\* = INDICARE IL CODICE FINITURA  
= complete with finish code

CODICE code	DESCRIZIONE description	PAG. page	Cat. B €	Cat. D €	Cat. E €	Cat. F €	Cat. G €	PR1 €	PR2 CHROMED €
173 072 *	PANNELLO FONO-ASSORBENTE L.100 sound-proofing panel w 100 cms	40	167,00	181,00	186,00	192,00	200,00	-	-
173 073 *	PANNELLO FONO-ASSORBENTE L.120 sound-proofing panel w 120 cms	40	196,00	209,00	215,00	220,00	229,00	-	-
173 074 *	PANNELLO FONO-ASSORBENTE L.140 sound-proofing panel w 140 cms	40	221,00	243,00	251,00	259,00	273,00	-	-
173 075 *	PANNELLO FONO-ASSORBENTE L.160 sound-proofing panel w 160 cms	40	238,00	263,00	272,00	282,00	297,00	-	-
173 076 *	PANNELLO FONO-ASSORBENTE L.180 sound-proofing panel w 180 cms	40	255,00	283,00	294,00	304,00	322,00	-	-
173 077 *	PANNELLO FONO-ASSORBENTE LATERALE L.60 lateral sound-proofing panel w 60 cms	40	143,00	151,00	153,00	156,00	161,00	-	-
173 078 *	PANNELLO FONO-ASSORBENTE LATERALE L.80 lateral sound-proofing panel w 80 cms	40	167,00	181,00	186,00	191,00	200,00	-	-
173 081 *	CUSCINO PER 1 LOCKER ART.190-191 cushion for 1 locker art.190-191	71	67,00	76,00	80,00	83,00	89,00	-	-
173 082 *	CUSCINO PER 2 LOCKER ART.190-191 cushion for 2 locker art.190-191	71	81,00	95,00	101,00	106,00	116,00	-	-
173 100 *	PIANO SCRIVANIA L.120 x p.60 CON FORO PER TOP- ACCESS desktop w 120 x d 60 cms with hole for top-access	18 mm	42	-	-	-	-	51,00	-
173 101 *	PIANO SCRIVANIA L.140 x p.60 CON FORO PER TOP- ACCESS desktop w 140 x d 60 cms with hole for top-access	18 mm	42	-	-	-	-	57,00	-
173 102 *	PIANO SCRIVANIA L.160 x p.60 CON FORO PER TOP- ACCESS desktop w 160 x d 60 cms with hole for top-access	18 mm	42	-	-	-	-	64,00	-
173 103 *	PIANO SCRIVANIA L.180 x p.60 CON FORO PER TOP- ACCESS desktop w 180 x d 60 cms with hole for top-access	18 mm	42	-	-	-	-	71,00	-
173 105 *	PIANO SCRIVANIA L.120 x p.80 CON FORO PER TOP- ACCESS desktop w 120 x d 80 cms with hole for top-access	18 mm	42	-	-	-	-	64,00	-
173 106 *	PIANO SCRIVANIA L.140 x p.80 CON FORO PER TOP- ACCESS desktop w 140 x d 80 cms with hole for top-access	18 mm	42	-	-	-	-	72,00	-
173 107 *	PIANO SCRIVANIA L.160 x p.80 CON FORO PER TOP- ACCESS desktop w 160 x d 80 cms with hole for top-access	18 mm	42	-	-	-	-	81,00	-
173 108 *	PIANO SCRIVANIA L.180 x p.80 CON FORO PER TOP- ACCESS desktop w 180 x d 80 cms with hole for top-access	18 mm	42	-	-	-	-	90,00	-
173 110 *	PIANO BENCH L.120 x p.165,2 CON BARRA CENTRALE E TOP ACCESS A RIBALTA bench top w 120 x d 165,2 cms with central bar e top access tip- up door	18 mm	42	-	-	-	-	303,00	-
173 111 *	PIANO BENCH L.140 x p.165,2 CON BARRA CENTRALE E TOP ACCESS A RIBALTA bench top w 140 x d 165,2 cms with central bar e top access tip- up door	18 mm	42	-	-	-	-	333,00	-
173 112 *	PIANO BENCH L.160 x p.165,2 CON BARRA CENTRALE E TOP ACCESS A RIBALTA bench top w 160 x d 165,2 cms with central bar e top access tip- up door	18 mm	42	-	-	-	-	361,00	-
173 113 *	PIANO BENCH L.180 x p.165,2 CON BARRA CENTRALE E TOP ACCESS A RIBALTA bench top w 180 x d 165,2 cms with central bar e top access tip- up door	18 mm	42	-	-	-	-	390,00	-
173 116 *	PENISOLA PER BENCH CON CAVALLETTI PROF.125,2 terminal for bench with gantries depth 125,2	18 mm	43	-	-	-	-	97,00	-
173 117 *	PENISOLA PER BENCH CON CAVALLETTI PROF.165,2 terminal for bench with gantries depth 165,2	18 mm	43	-	-	-	-	116,00	-
173 177 *	MOBILE A GIORNO L.165 CON TOP-ACCESS A RIBALTA open cabinet w 165 cms with top-access tip-up door	68	-	-	-	-	-	267,00	-
173 178 *	MOBILE A GIORNO L.87,3 open cabinet w 87,3 cms	68	-	-	-	-	-	119,00	-
173 181 *	MOBILE 3 CASSETTI CON SERR. PER ART.177-178 3 drawers cabinet with lock for art.177-178	69	-	-	-	-	-	172,00	-
173 190 *	MOBILE "LOCKER" CON ANTA DX locker cabinet with right door	71	-	-	-	-	-	93,00	-
173 191 *	MOBILE "LOCKER" CON ANTA SX locker cabinet with left door	71	-	-	-	-	-	93,00	-
173 192 *	ANTA DX O SX PER MOBILE L.165 right or left for cabinet w 165	69	-	-	-	-	-	28,00	-
173 193 *	COPPIA ANTE BASSE CON SERR. E FIANCHETTI INTERNI PER MOBILE ART.178 set of 2 low wooden doors and inside panels for cabinet art.178	69	-	-	-	-	-	60,00	-
173 194 *	ANTA BASSA DX CON SERR. E FIANCHETTO INTERNO PER MOBILE ART.178 Right low wooden door with lock for cabinet art.178	69	-	-	-	-	-	39,00	-
173 195 *	ANTA BASSA SX CON SERR. PER MOBILE ART.178 left low wooden door with lock for cabinet art.178	69	-	-	-	-	-	39,00	-

\* = INDICARE IL CODICE FINITURA  
= complete with finish code

CODICE code	DESCRIZIONE description	PAG. page	Cat. B	Cat. D	Cat. E	Cat. F	Cat. G	PR1 €	PR2 CHROMED €
			€	€	€	€	€		
			CREPE	STRETCH MELANGE TREVİ	LANA	TAYLOR	GO CHECK RUNNER		
173 196 *	MOBILE DI RACCORDO 2 VIE PROF. CM 42 2 ways joining cabinet depth 42 cms	70	-	-	-	-	-	106,00	-
173 197 *	MOBILE DI RACCORDO 3 VIE PROF. CM 42 3 ways joining cabinet depth 42 cms	70	-	-	-	-	-	179,00	-
173 198 *	MOBILE DI RACCORDO 2 VIE PROF. CM 60 2 ways joining cabinet depth 60 cms	70	-	-	-	-	-	121,00	-
173 199 *	MOBILE DI RACCORDO 3 VIE PROF. CM 60 3 ways joining cabinet depth 60 cms	70	-	-	-	-	-	207,00	-
173 251 *	SCRIVANIA L.120 x p.80 CON CAVALLETTI desk w 120 x d 80 cms with gantries	29	-	-	-	-	-	335,00	-
173 252 *	SCRIVANIA L.140 x p.80 CON CAVALLETTI desk w 140 x d 80 cms with gantries	29	-	-	-	-	-	348,00	-
173 253 *	SCRIVANIA L.160 x p.80 CON CAVALLETTI desk w 160 x d 80 cms with gantries	29	-	-	-	-	-	361,00	-
173 254 *	SCRIVANIA L.180 x p.80 CON CAVALLETTI desk w 180 x d 80 cms with gantries	29	-	-	-	-	-	378,00	-
173 256 *	2 SCRIVANIE IN LINEA L.240 x p.80 CON CAVALLETTI 2 linear desks w 240 x d 80 cms with gantries	30	-	-	-	-	-	535,00	-
173 257 *	2 SCRIVANIE IN LINEA L.280 x p.80 CON CAVALLETTI 2 linear desks w 280 x d 80 cms with gantries	30	-	-	-	-	-	561,00	-
173 258 *	2 SCRIVANIE IN LINEA L.320 x p.80 CON CAVALLETTI 2 linear desks w 320 x d 80 cms with gantries	30	-	-	-	-	-	587,00	-
173 259 *	2 SCRIVANIE IN LINEA L.240 x p.80 CON CAVALLETTI 2 linear desks w 360 x d 80 cms with gantries	30	-	-	-	-	-	621,00	-
173 260 *	3 SCRIVANIE IN LINEA L.360 x p.80 CON CAVALLETTI 3 linear desks w 360 x d 80 cms with gantries	30	-	-	-	-	-	735,00	-
173 261 *	3 SCRIVANIE IN LINEA L.420 x p.80 CON CAVALLETTI 3 linear desks w 420 x d 80 cms with gantries	30	-	-	-	-	-	774,00	-
173 262 *	3 SCRIVANIE IN LINEA L.480 x p.80 CON CAVALLETTI 3 linear desks w 480 x d 80 cms with gantries	30	-	-	-	-	-	813,00	-
173 263 *	3 SCRIVANIE IN LINEA L.540 x p.80 CON CAVALLETTI 3 linear desks w 540 x d 80 cms with gantries	30	-	-	-	-	-	864,00	-
173 265 *	BENCH L.120 x p.165,2 CON CAVALLETTI, BARRA CENTRALE E TOP ACCESS A RIBALTA bench w 120 x d 165,2 cms with gantries, central bar e top access tip-up door	30	-	-	-	-	-	749,00	-
173 266 *	BENCH L.140 x p.165,2 CON CAVALLETTI, BARRA CENTRALE E TOP ACCESS A RIBALTA bench w 140 x d 165,2 cms with gantries, central bar e top access tip-up door	30	-	-	-	-	-	791,00	-
173 267 *	BENCH L.160 x p.165,2 CON CAVALLETTI, BARRA CENTRALE E TOP ACCESS A RIBALTA bench w 160 x d 165,2 cms with gantries, central bar e top access tip-up door	30	-	-	-	-	-	833,00	-
173 268 *	BENCH L.180 x p.165,2 CON CAVALLETTI, BARRA CENTRALE E TOP ACCESS A RIBALTA bench w 180 x d 165,2 cms with gantries, central bar e top access tip-up door	30	-	-	-	-	-	878,00	-
173 270 *	BENCH L.240 x p.165,2 CON CAVALLETTI, BARRA CENTRALE E TOP ACCESS A RIBALTA bench w 240 x d 165,2 cms with gantries, central bar e top access tip-up door	30	-	-	-	-	-	1.308,00	-
173 271 *	BENCH L.280 x p.165,2 CON CAVALLETTI, BARRA CENTRALE E TOP ACCESS A RIBALTA bench w 280 x d 165,2 cms with gantries, central bar e top access tip-up door	30	-	-	-	-	-	1.392,00	-
173 272 *	BENCH L.320 x p.165,2 CON CAVALLETTI, BARRA CENTRALE E TOP ACCESS A RIBALTA bench w 320 x d 165,2 cms with gantries, central bar e top access tip-up door	30	-	-	-	-	-	1.476,00	-
173 273 *	BENCH L.360 x p.165,2 CON CAVALLETTI, BARRA CENTRALE E TOP ACCESS A RIBALTA bench w 360 x d 165,2 cms with gantries, central bar e top access tip-up door	30	-	-	-	-	-	1.566,00	-
173 275 *	BENCH L.360 x p.165,2 CON CAVALLETTI, BARRA CENTRALE E TOP ACCESS A RIBALTA bench w 360 x d 165,2 cms with gantries, central bar e top access tip-up door	30	-	-	-	-	-	1.867,00	-
173 276 *	BENCH L.420 x p.165,2 CON CAVALLETTI, BARRA CENTRALE E TOP ACCESS A RIBALTA bench w 420 x d 165,2 cms with gantries, central bar e top access tip-up door	30	-	-	-	-	-	1.993,00	-
173 277 *	BENCH L.480 x p.165,2 CON CAVALLETTI, BARRA CENTRALE E TOP ACCESS A RIBALTA bench w 480 x d 165,2 cms with gantries, central bar e top access tip-up door	30	-	-	-	-	-	2.119,00	-
173 278 *	BENCH L.540 x p.165,2 CON CAVALLETTI, BARRA CENTRALE E TOP ACCESS A RIBALTA bench w 540 x d 165,2 cms with gantries, central bar e top access tip-up door	30	-	-	-	-	-	2.254,00	-
173 280 *	SCRIVANIA L.120 x p.80 CON CAVALLETTO DA APPOGGIO desk w 120 x d 80 cms with short gantry	31	-	-	-	-	-	302,00	-
173 281 *	SCRIVANIA L.140 x p.80 CON CAVALLETTO DA APPOGGIO desk w 140 x d 80 cms with short gantry	31	-	-	-	-	-	315,00	-
173 282 *	SCRIVANIA L.160 x p.80 CON CAVALLETTO DA APPOGGIO desk w 160 x d 80 cms with short gantry	31	-	-	-	-	-	328,00	-
173 283 *	SCRIVANIA L.180 x p.80 CON CAVALLETTO DA APPOGGIO desk w 180 x d 80 cms with short gantry	31	-	-	-	-	-	345,00	-

5<sup>th</sup> ELEMENT

\* = INDICARE IL CODICE FINITURA  
= complete with finish code

CODICE code	DESCRIZIONE description	PAG. page	CREPE	Cat. B €	Cat. D €	Cat. E €	Cat. F €	Cat. G €	PR1 €	PR2 CHROMED €
173 285 *	BENCH L.120 x p.125,2 CON CAVALLETTO DA APPOGGIO bench w 120 x d 125,2 cms with short gantry	31	-	-	-	-	-	-	446,00	-
173 286 *	BENCH L.140 x p.125,2 CON CAVALLETTO DA APPOGGIO bench w 140 x d 125,2 cms with short gantry	31	-	-	-	-	-	-	470,00	-
173 287 *	BENCH L.160 x p.125,2 CON CAVALLETTO DA APPOGGIO bench w 160 x d 125,2 cms with short gantry	31	-	-	-	-	-	-	496,00	-
173 288 *	BENCH L.180 x p.125,2 CON CAVALLETTO DA APPOGGIO bench w 180 x d 125,2 cms with short gantry	31	-	-	-	-	-	-	522,00	-
173 290 *	BENCH L.120 x p.165,2 CON CAVALLETTO DA APPOGGIO bench w 120 x d 165,2 cms with short gantry	31	-	-	-	-	-	-	506,00	-
173 291 *	BENCH L.140 x p.165,2 CON CAVALLETTO DA APPOGGIO bench w 140 x d 165,2 cms with short gantry	31	-	-	-	-	-	-	532,00	-
173 292 *	BENCH L.160 x p.165,2 CON CAVALLETTO DA APPOGGIO bench w 160 x d 165,2 cms with short gantry	31	-	-	-	-	-	-	558,00	-
173 293 *	BENCH L.180 x p.165,2 CON CAVALLETTO DA APPOGGIO bench w 180 x d 165,2 cms with short gantry	31	-	-	-	-	-	-	592,00	-
173 298 *	TAVOLO TEAM L.220 X P.125,2 CON 2 TOP-ACCESS E 1 VASCETTA PASSA-CAVI CENTRALE INCLUSI team table w 220 x d 125,2 with 2 top-access and 1 central cable-tray	84	-	-	-	-	-	-	855,00	-
<b>OYO</b>										
175 105	5° OPZIONALE PER CASSETTIERA CLASSIFICATORE fifth optional wheel for file-pedestal	75	-	-	-	-	-	-	13,00	-
175 117 *	2 PRESE STANDARD ITALIA/GERMANIA SCHUKO+ 2 CHARGER USB + 1 TAPPO 2 Italy/Germany SCHUKO standard sockets+2 charger USB + 1 cap	K1	81	-	-	-	-	-	257,00	-
175 118 *	2 PRESE STANDARD FRANCIA+ 2 CHARGER USB + 1 TAPPO 2 FRANCE standard sockets+2 charger USB + 1 cap	K1	81	-	-	-	-	-	243,00	-
175 119 *	2 PRESE STANDARD INGLESI+ 2 CHARGER USB + 1 TAPPO 2 BRITISH standard sockets+2 charger USB + 1 cap	K1	81	-	-	-	-	-	270,00	-
175 120 *	2 PRESE STANDARD ITALIA/GERMANIA SCHUKO+ 2 CHARGER USB + 1 TAPPO 2 Italy/Germany SCHUKO standard sockets+2 charger USB + 1 cap	K2	81	-	-	-	-	-	317,00	-
175 121 *	2 PRESE STANDARD FRANCIA+ 2 CHARGER USB + 1 TAPPO 2 FRANCE standard sockets+2 charger USB + 1 cap	K2	81	-	-	-	-	-	285,00	-
175 122 *	2 PRESE STANDARD INGLESI+ 2 CHARGER USB + 1 TAPPO 2 BRITISH standard sockets+2 charger USB + 1 cap	K2	81	-	-	-	-	-	343,00	-
175 123 *	1 RJ45 CAT.6		81	-	-	-	-	-	39,00	-
175 124 *	2 RJ45 CAT.6		81	-	-	-	-	-	73,00	-
175 125 *	1 RJ45CAT.6 + 1 HDMI		81	-	-	-	-	-	73,00	-